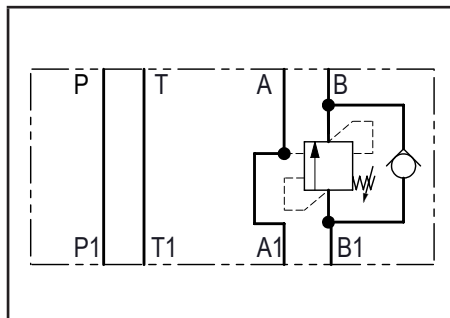
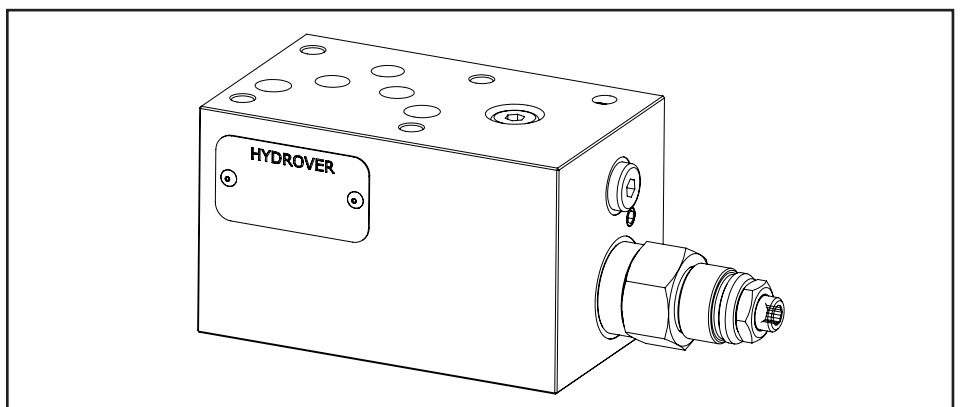
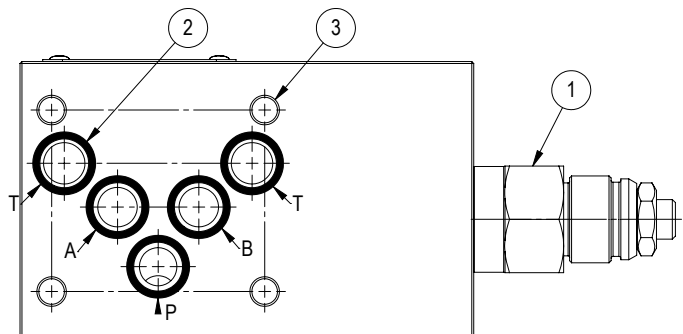
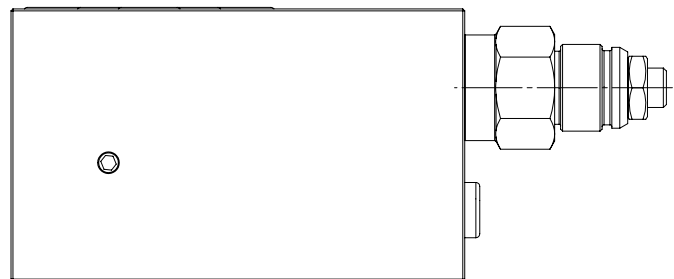
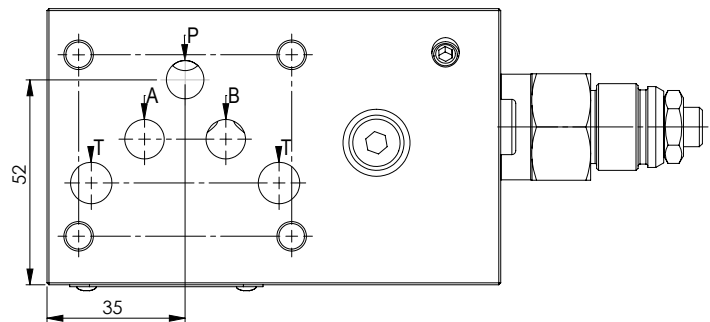


Technical data	
Max. pressure	250 bar
Max. flow	50 lpm *
Weight	1,6 Kg
Manifold material	Aluminium



N°	Description	Q.ty
1	Bosch Rexroth counterbalance valve <b>VBSN-10A</b> *	1
2	OR 2050 i. Ø 12,42 cross section 1,78	5
3	Ø 6,5 through hole for mounting	4

*\* for complete technical information, click on the blue link or go to the components section at the end of the catalogue*



Ordering code

H	5	9	1	8	A	-	-	-
---	---	---	---	---	---	---	---	---

**Hydrover product**

**Product series**

59 series - Cetop 5 modular valves

**Product ID**

**Manifold material**

Aluminium

**Counterbalance valve  
pilot ratio**

3 =	3:1
8 =	8:1

**Counterbalance valve  
adjustment pressure range**

2 =	70-210 bar
3 =	140-350 bar

**Counterbalance valve  
adjustment type \***

S = Screw

\* Omit if not required. To order the product without the counterbalance cartridge valve, omit the adjustment type, pressure range and pilot ratio options: H5918A.  
The manifold will still be provided with the corresponding cavity.