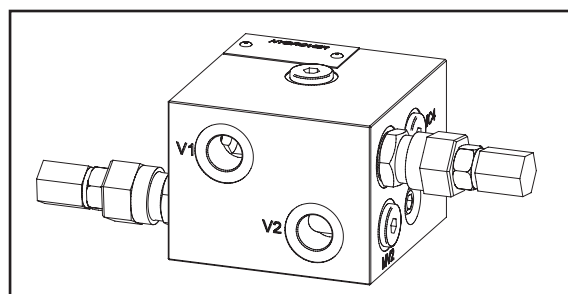
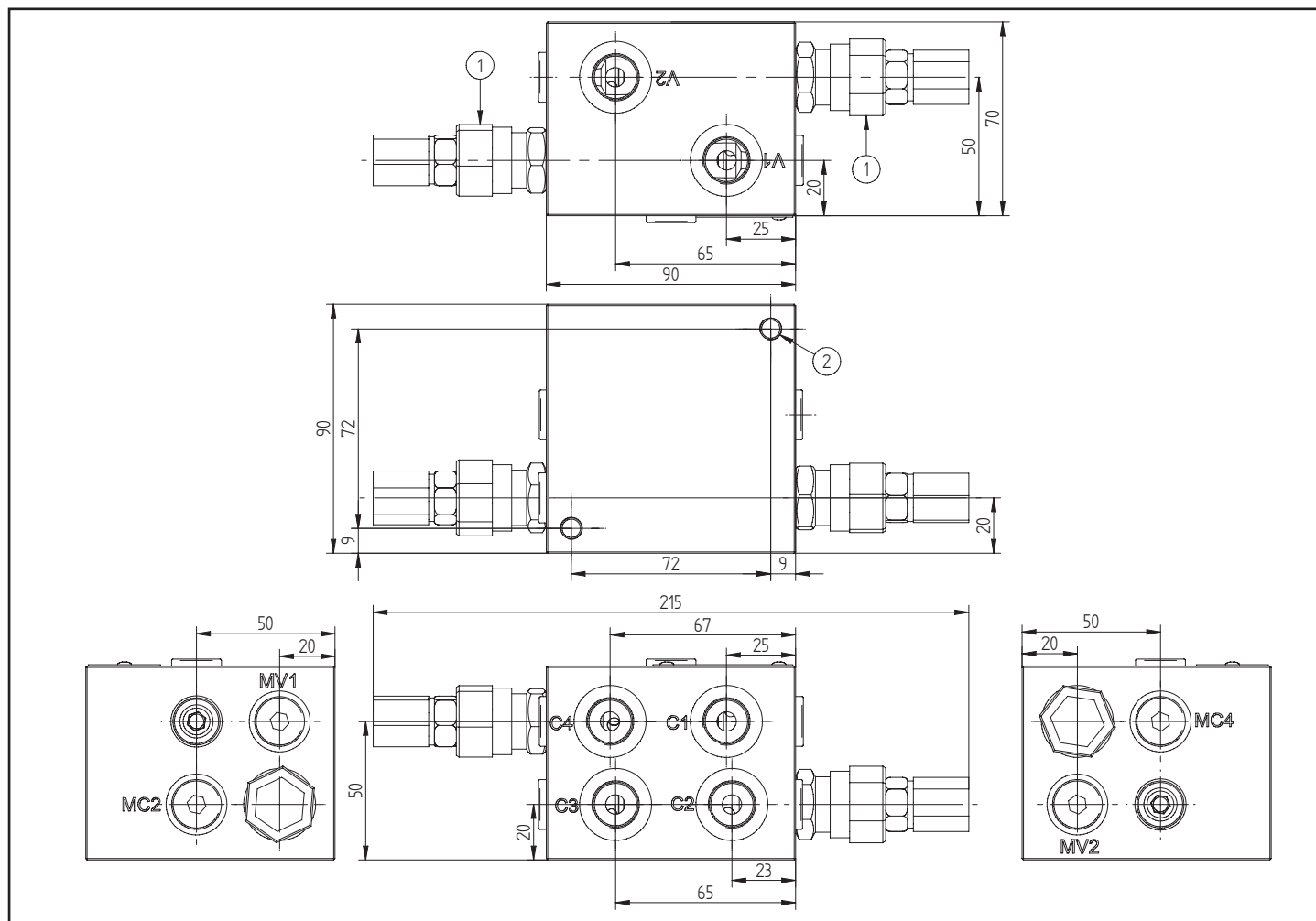
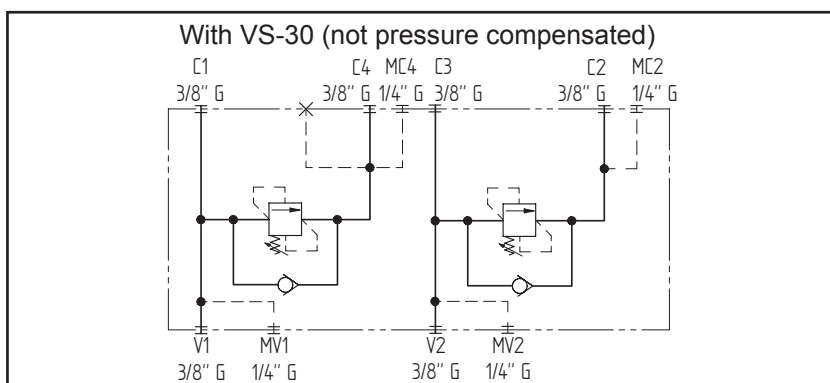
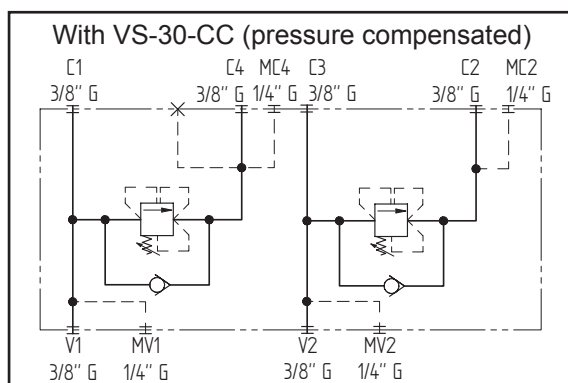


Integrated circuit with two sequence circuits 3/8" G **H97001**

Dimensions in mm



Technical data	
Max. pressure	250 bar
Max. flow per circuit	30 lpm
Weight	2 Kg
Manifold material	Aluminium
MV1 / MV2 / MC2 / MC4 ports	1/4" G
V1 / V2 / C1 / C2 / C3 / C4 ports	3/8" G



N°	Description	Q.ty
1	Bosch Rexroth sequence valve <b>VS-30-CC</b> * (as depicted) or Bosch Rexroth relief valve <b>VS-30</b> *	2
2	M8x15 thread for mounting	2

\* for complete technical information, click on the blue link or go to the components section at the end of the catalogue

Ordering code

H	9	7	0	0	1	A	-	-	-	-	-	-
---	---	---	---	---	---	---	---	---	---	---	---	---

**Hydrover product**

**Product series**

97 series - Multifunctional integrated circuits

**Product ID**

**Manifold material**

Aluminium

**Adjustment type for valve on V1\***

Screw = S  
 Knob (only for VS-30) = K

**Pressure range adjustment for valve on V1 \***

5-50 bar = 0  
 30-100 bar = 1  
 50-210 bar = 2  
 100-350 bar = 3

**V2 valve type \***

S = VS-30-CC  
 M = VS-30

**Pressure range adjustment for valve on V2 \***

0 = 5-50 bar  
 1 = 30-100 bar  
 2 = 50-210 bar  
 3 = 100-350 bar

**Adjustment type for valve on V2\***

S = Screw  
 K = Knob (only for VS-30)

**V1 valve type \***

S = VS-30-CC  
 M = VS-30

\* Omit if not required. To order the product without valves, omit their options: H97001A.  
 The manifold will still be provided with the corresponding cavities.