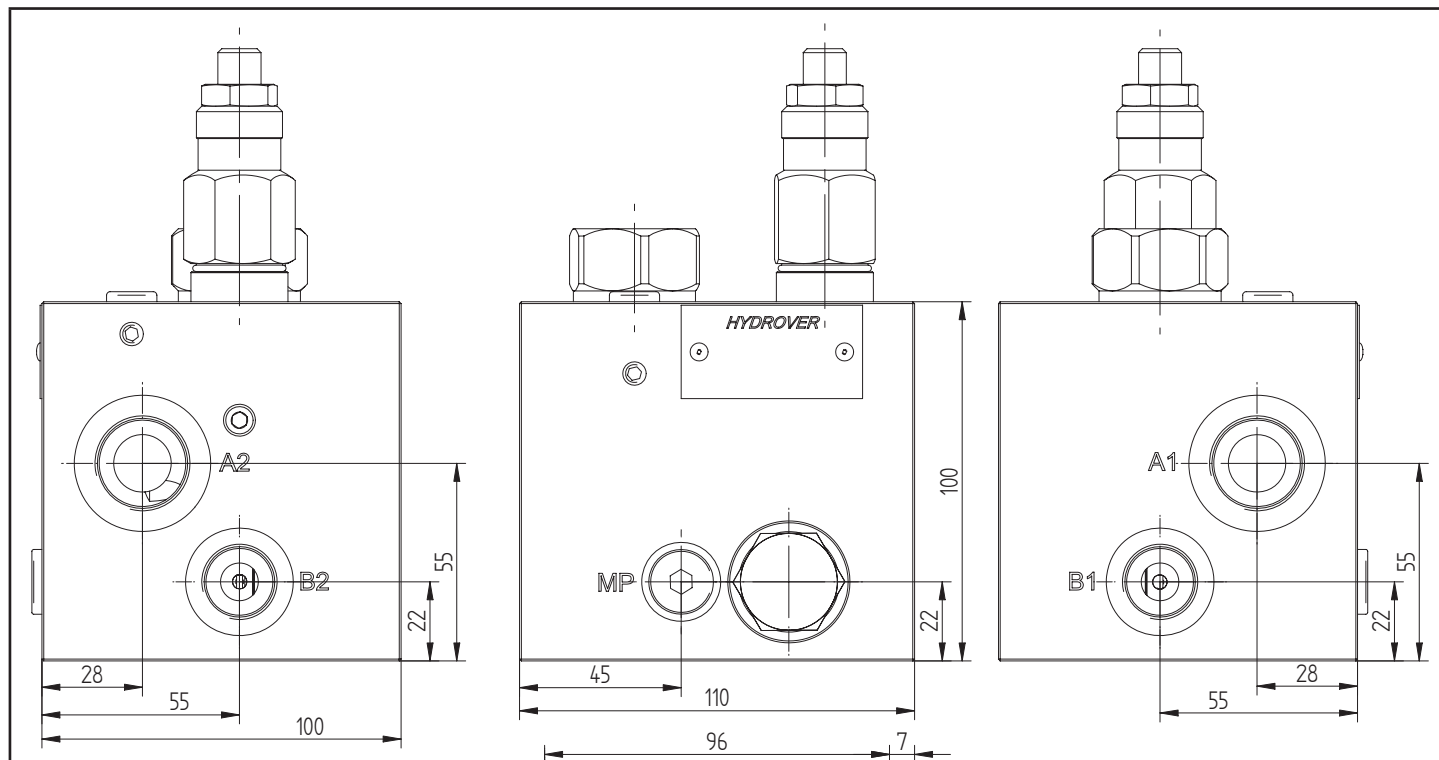
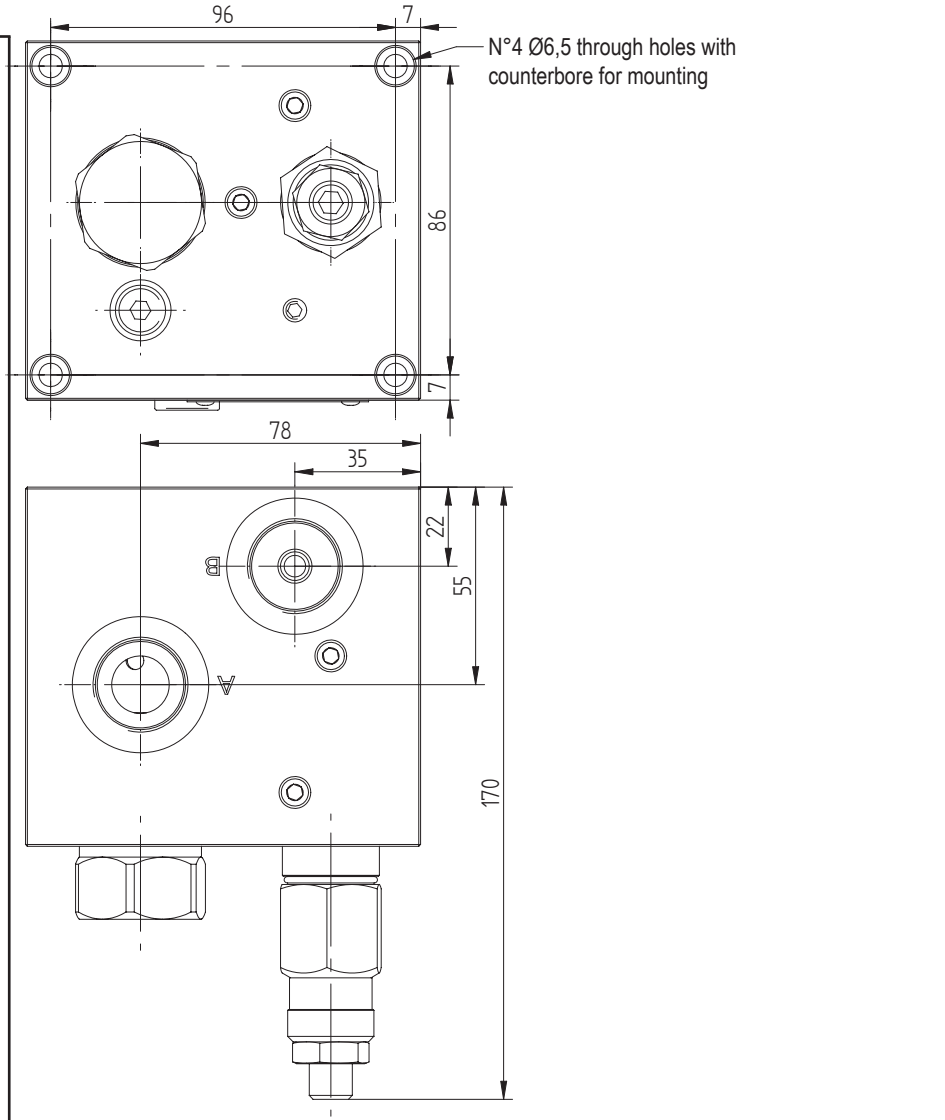
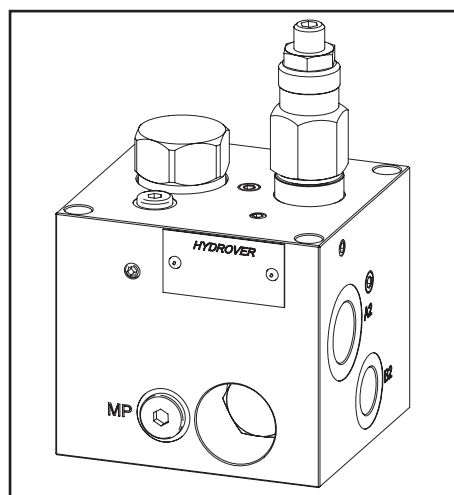


Dimensions in mm



Technical data	
Max. pressure	250 bar
Inlet max. flow	40 lpm
Weight	3,2 Kg
Manifold material	Aluminum
MP port	1/4" G
B1 / B2 ports	1/2" G
A / B / A1 / A2 ports	3/4" G



Ordering code

H	9	7	0	0	7	A
---	---	---	---	---	---	---

**Hydrover product**

**Manifold material**  
Aluminum

**Product series**

97 series - Multifunctional integrated circuits

**Product ID**

