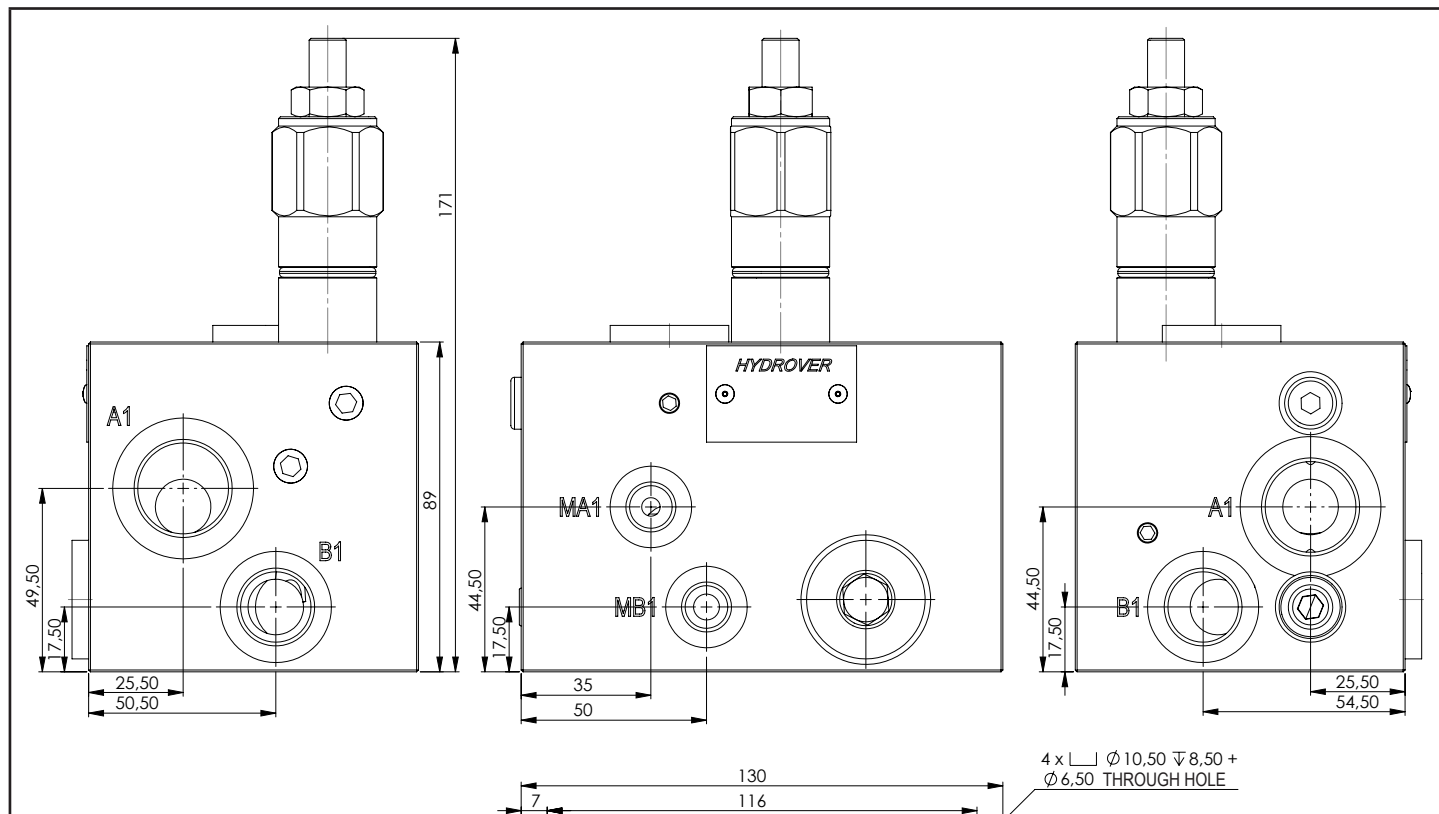
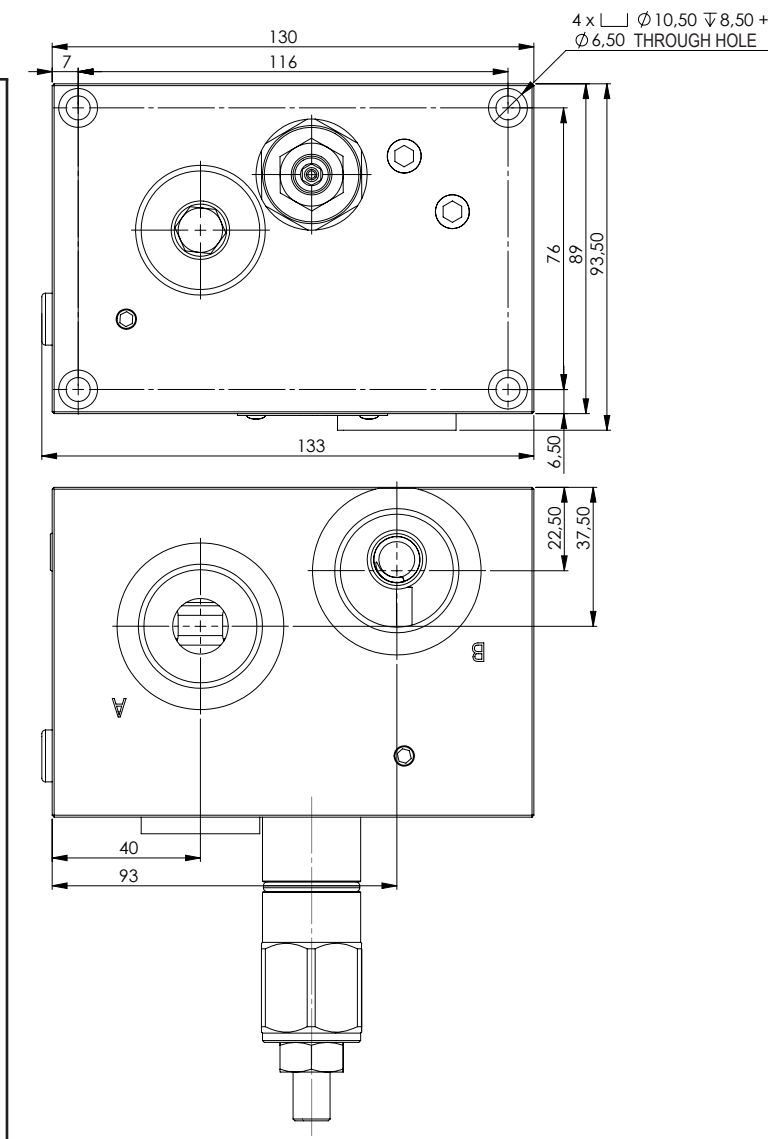
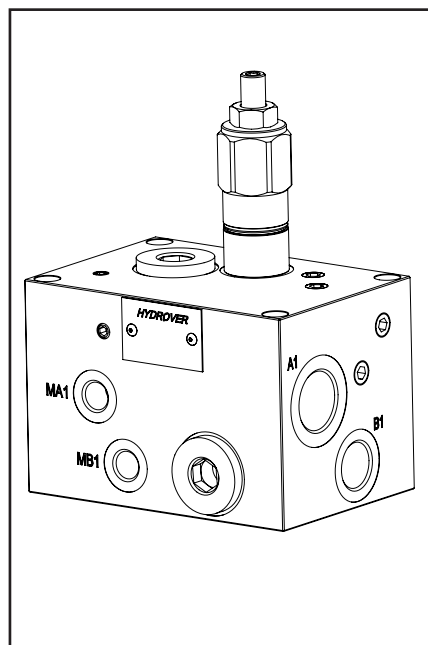


Dimensions in mm



Technical data	
Max. pressure	250 bar
Input max. flow	80 lpm
Weight	7 Kg
Manifold material	Steel
MA1 / MB1 ports	1/4" G
B1 / B1 ports	1/2" G
A1 / A1 ports	3/4" G
A / B ports	1" G



Ordering code

H	9	7	0	1	9	S
---	---	---	---	---	---	---

Hydrover product

Manifold material  
Steel

Product series

97 series - Multifunctional integrated circuits

Product ID

