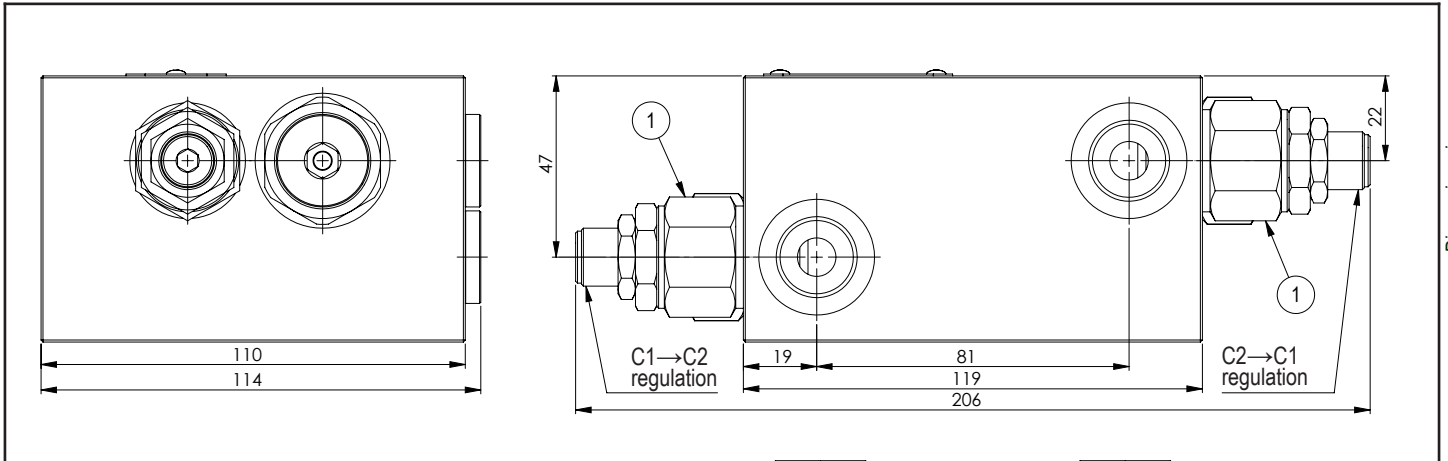
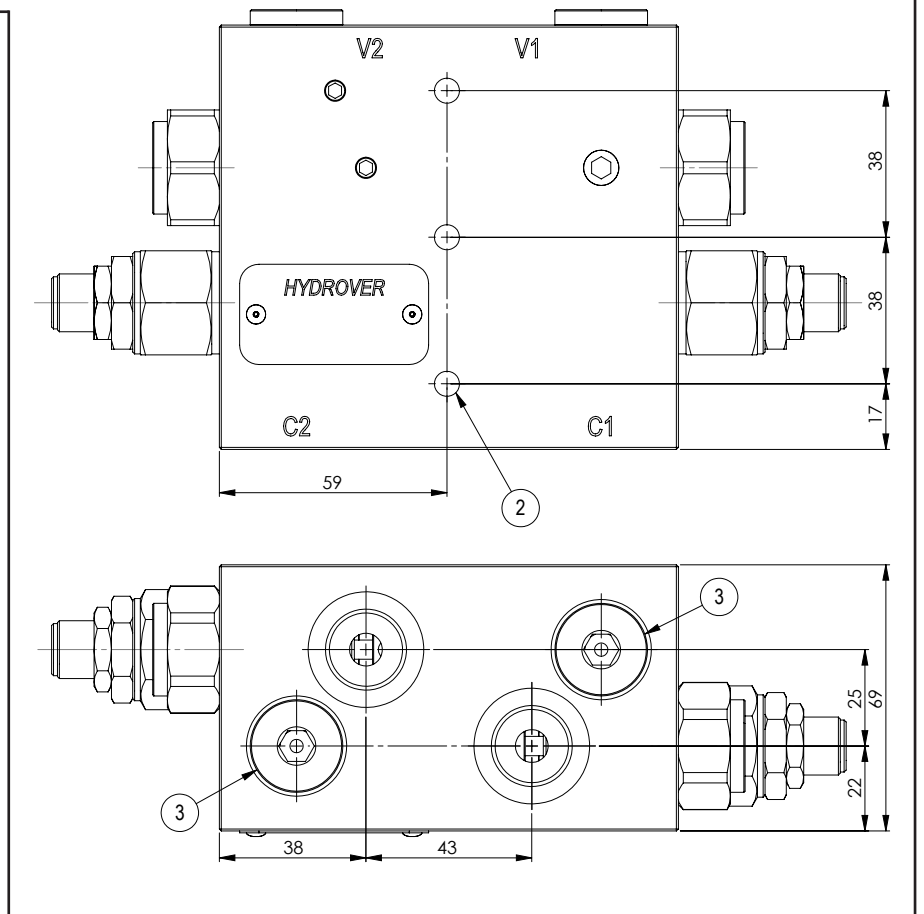
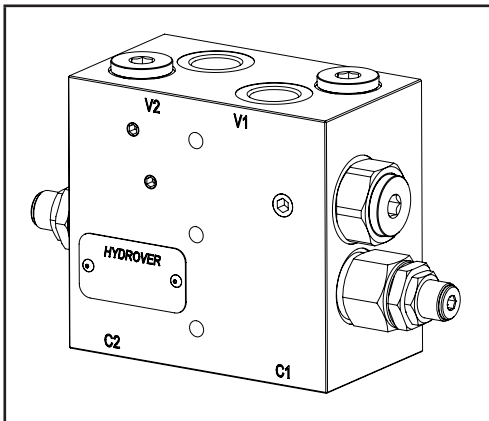


Dimensions in mm



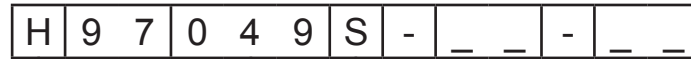
Technical data	
Max. pressure	350 bar
Max. flow	70 lpm
Weight	6,8 Kg
Manifold material	Steel
V1 / V2 / C1 / C2 ports	1/2" G



N°	Description	Q.ty
1	Bosch Rexroth relief valve VMD1.070 *	2
2	Ø 6,5 through hole for mounting	3
3	Logic element	2

* for complete technical information, click on the blue link or go to the components section at the end of the catalogue

Ordering code



Hydrover product

Product series

97 series - Multifunctional integrated circuits

Product ID

Manifold material

Steel

Relief valve

adjustment type C1→C2 *

Screw

= S

Relief valve adjustment pressure range C2→C1 *

- 0 = 10-60 bar
- 1 = 40-110 bar
- 2 = 110-220 bar
- 3 = 220-260 bar

Relief valve adjustment type C2→C1 *

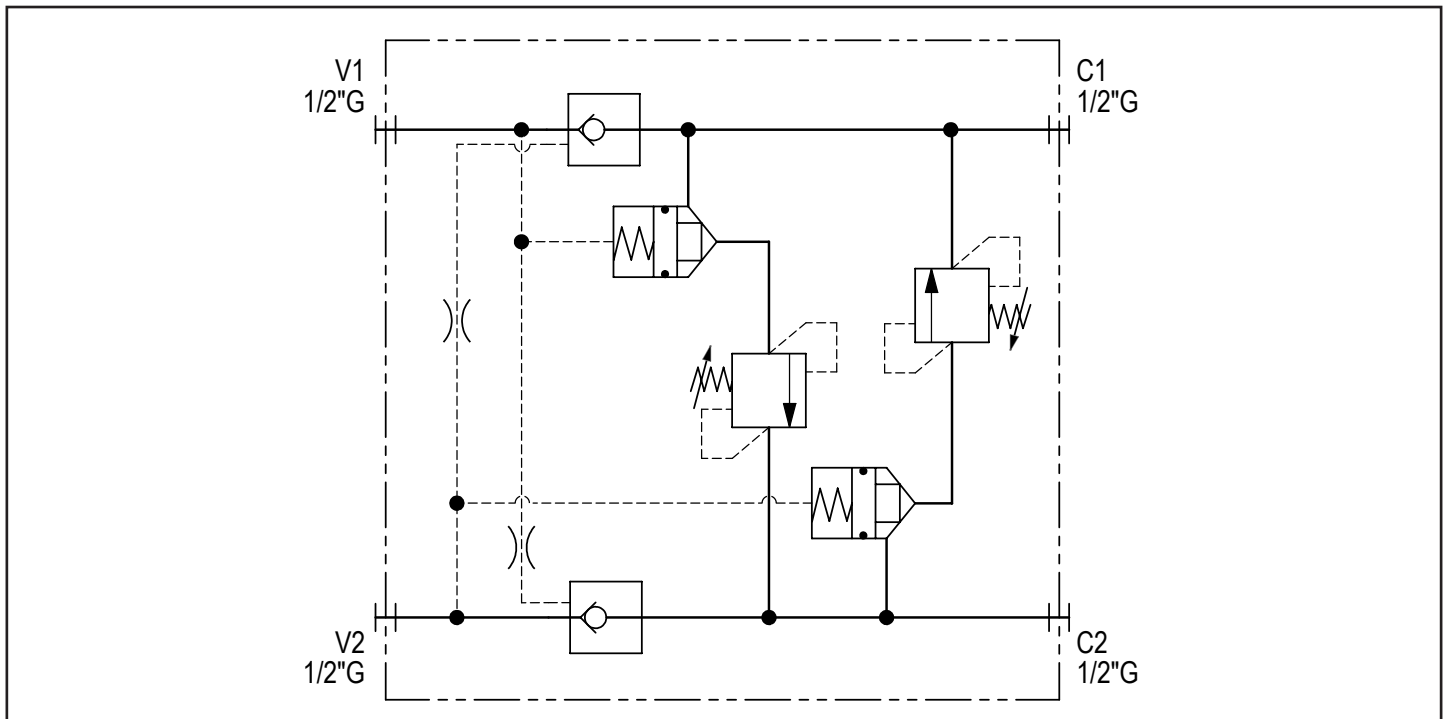
S =

Screw

Relief valve adjustment pressure range C1→C2*

- 0 = 10-60 bar
- 1 = 40-110 bar
- 2 = 110-220 bar
- 3 = 220-260 bar

* Omit if not required. To order the product without the pressure relief cartridge valves, omit the pressure range and the adjustment type options: H97049S. The manifold will still be provided with the corresponding cavities.



This device is intended for all machines equipped with arm and rotating turret driven by hydraulic motor or rack actuator. It is constituted by a check valve with double effect hydraulic release with dampened piloting (avoids oscillations) and by a double braking valve to discharge cross-inhibited by the oil input to the V1 V2 ports. This peculiarity allows to obtain the maximum pressure in the cue (general maximum pressure valve) and a reduced brake pressure and can be calibrated at the time of the movement.