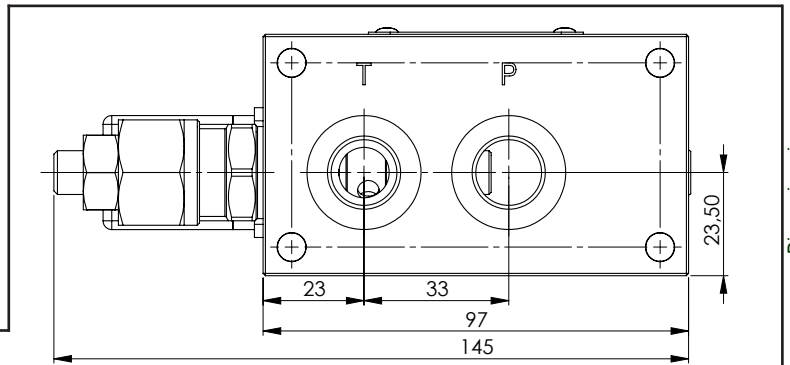


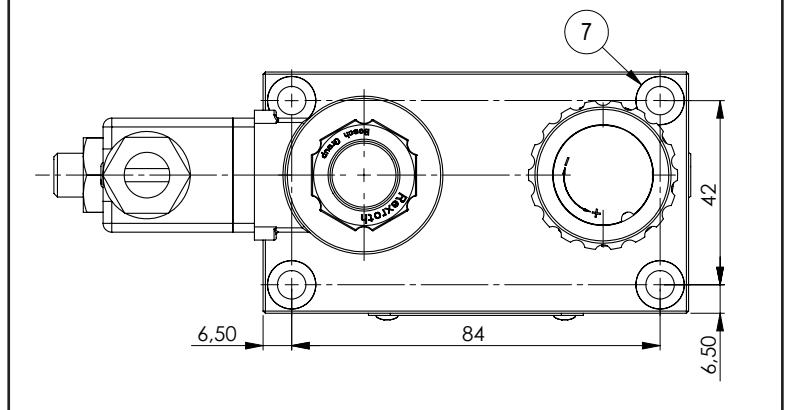
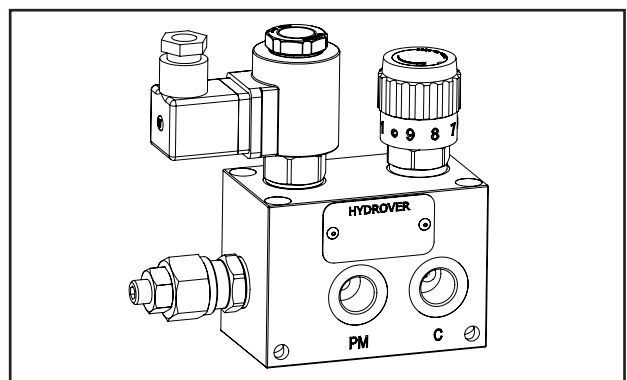
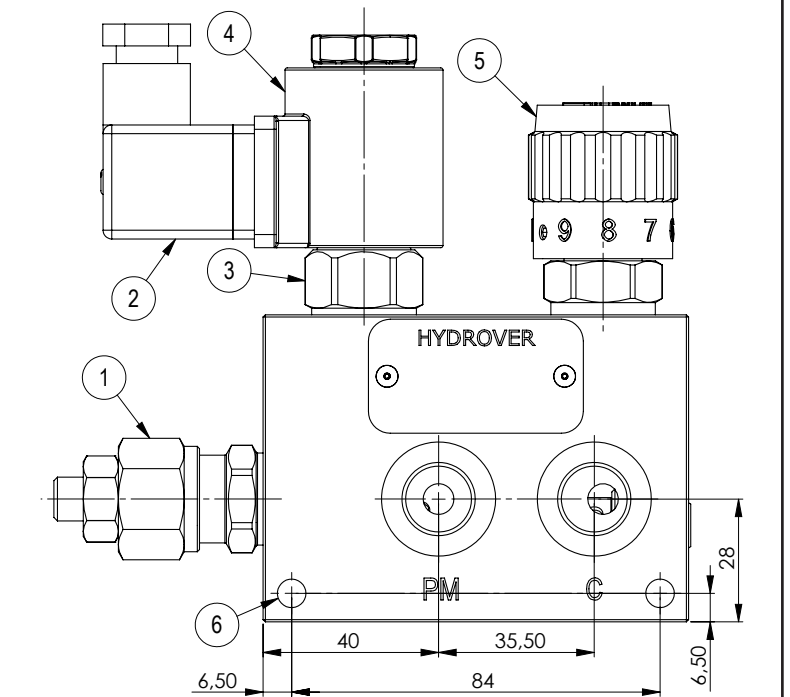
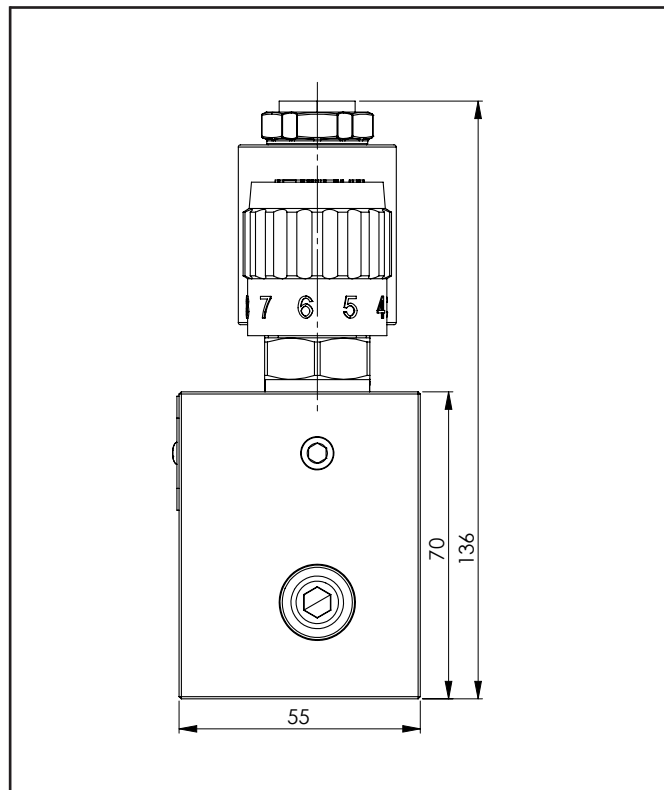
Integrated circuit for single acting cylinder with 2 way compensated flow regulator and relief valve 3/8" G

**H97121**

Technical data	
Max. pressure	250 bar
Max. flow from P to C	30 lpm
Max. flow from C to T	15 lpm
Weight	1,6 Kg
Manifold material	Aluminium
C / P / PM / T ports	3/8" G



Dimensions in mm



N°	Description	Q.ty
1	Bosch Rexroth relief valve <b>VS-30</b> * depicted with screw adjustment	1
2	Connector DIN 43650 ISO 4400	1
3	Bosch Rexroth solenoid valve <b>VEI-16-08A-NC OD.15.05.18-Y-000000</b> (normally closed) o <b>VEI-16-08A-NA OD.15.06.18-Y-000000</b> (normally open) depicted without manual override *	1
4	Bosch Rexroth coil <b>D36 CLASS H</b> DIN 43650 ISO 4400 *	1
5	2 way compensated flow regulator (available also not compensated)	1
6	Ø 6,5 through hole for mounting	2
7	Ø 6,5 through hole for mounting with counterbore	4

\* for complete technical information, click on the blue link or go to the components section at the end of the catalogue

Ordering code

H 9 7 1 2 1 A \_ \_ C Q - \_ \_ - \_ \_

**Hydrover product**

**Product series**  
Serie 17 - Inline valves

**Product ID**

**Manifold material**  
Aluminium

**Relief valve adjustment type \***  
Screw = S  
Knob = K

**Relief valve adjustment pressure range \***  
5-50 bar = 0  
30-100 bar = 1  
50-210 bar = 2  
100-350 bar = 3

**Flow regulator adjustment type**  
Calibrated knob

**Solenoid valves coil connection \***  
1 = DIN 43650  
ISO 4400

**Solenoid valve coil voltage \***  
OB = 12V DC  
OC = 24V DC  
OD = 48V DC  
OU = 110V RAC  
AH = 230V RAC

**Solenoid valve manual override \***  
E0 = Without  
EP = Push (NA)  
EV = Screw (NC)  
EG = Push and twist (NA)

**Solenoid valve spool type \***  
NA = Normally open  
NC = Normally closed

\* Omit if not required. For example, to order the product without the solenoid cartridge valves, omit the coil connection, coil voltage, max. flow and manual override options: H97121AS2CQ.  
The manifold will still be provided with the corresponding cavities.

