

Proportional valves pilot operated poppet type,
 2-way flow regulator not compensated
 Common cavity, Size 10

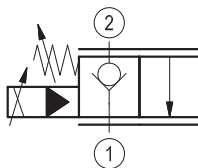
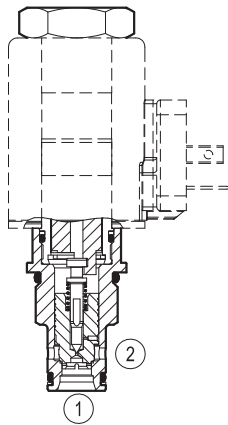
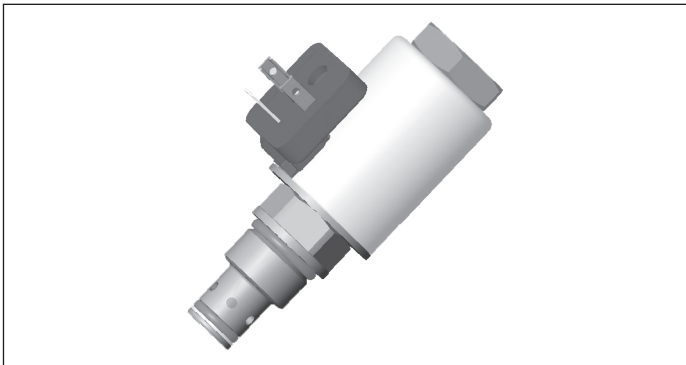
KSVS.1

KSVSR1AA / F - Y - V

RE 18323-73

Edition: 01.2017

Replaces: 09.2016

**Technical data****General**

Weight	0.25 kg (0.55 lbs)
Installation position	Any
Ambient temperature range	-20 to 120 °C (-4 to 248 °F)
Salt spray test to DIN 50021	720 h

Hydraulic

Max. operating pressure port 1, 2	350 bar (5075 psi)
Maximum Δp	350 bar (5075) (250 bar (3625 psi) for optimal metering and flow capacity)
Nominal flow	74 l/min. at 35 bar Δp (20 gpm at 508 psi Δp)
Max. internal leakage	10 drops/min. (at $\Delta p=150$ bar; HLP46, $T_{oil} = 40^\circ\text{C}$)
Fluid temperature range	-20 to 80 °C (-4 to 176 °F)
Fluids: Mineral-based or synthetics with lubricating properties at viscosities of 15 to 380 mm ² /s (cSt)	
Recommended degree of fluid contamination	Nominal value max. 10 μm (NAS 8) ISO 4406 19/17/14
Cavity	CA-10A-2N see 18325-70
Load cycles	2 Mio.

Spare parts

Cavity seal kit	material no. R961011030
Coil nut	material no. R901440340
Spacer ring	material no. R901168656

Electrical

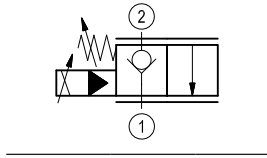
Type of voltage	DC voltage
Coil type	GP37 see 18325-90

Note: coils must be ordered separately.

Ordering code

KSVSR1	A	A/	F	Y	V
---------------	----------	-----------	----------	----------	----------

Proportional valves pilot operated poppet type
2-way flow regulator not compensated



Common cavity; CA-10A-2N

without manual override **N0**
with manual override **N11**

Seal material: FKM seals

Further types available by request

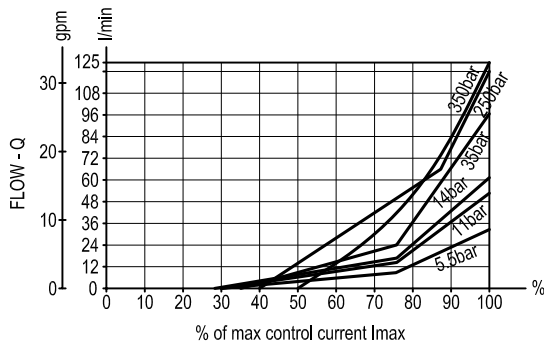
Preferred types

Type	Material number
KSVSR1AA/FN0V	R901394662
KSVSR1AA/FN11V	R901394661

Type	Material number

Characteristic curves

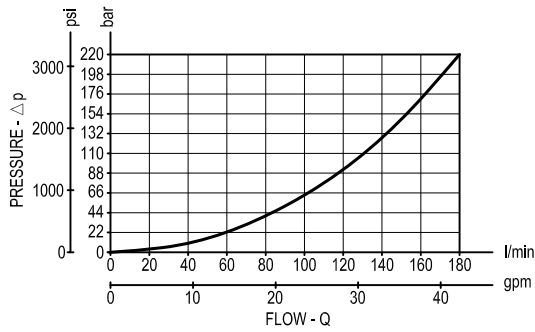
Compensated flow vs % of control current



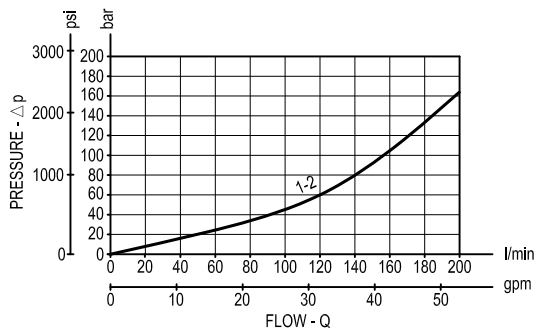
Current	Hysteresis
40% - 85%	<7% of I _{max}
85% - 100%	<10% of I _{max}

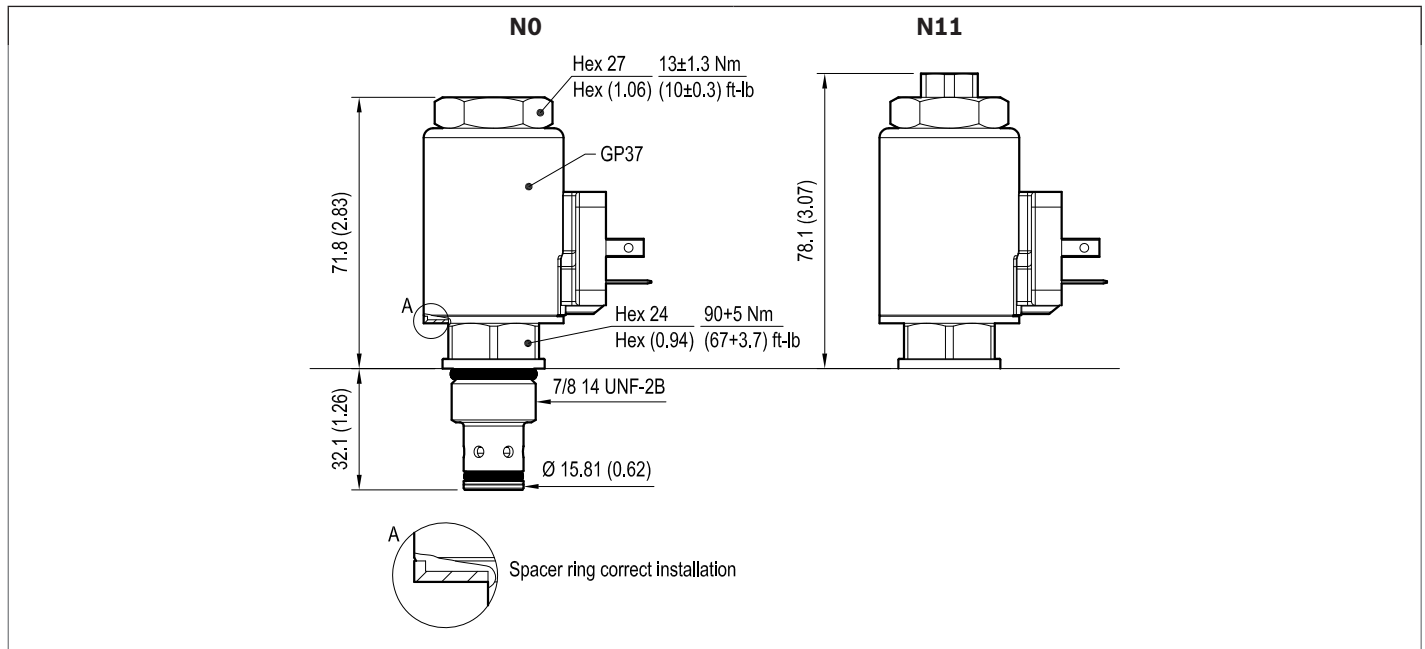
Recommened dither frequency (PWM) 100 Hz

Delta p 2 to 1 at 100% of I_{max} control current



Delta p 1 to 2



Dimensions▼ **Proportional valves pilot operated poppet type
2-way flow regulator not compensated****Bosch Rexroth Oil Control S.p.A.**

Via Leonardo da Vinci 5
P.O. Box no. 5
41015 Nonantola – Modena, Italy
Tel. +39 059 887 611
Fax +39 059 547 848
compact-hydraulics-cv@boschrexroth.com
www.boschrexroth.com/compacthydraulics

© This document, as well as the data, specifications and other information set forth in it, are the exclusive property of Bosch Rexroth Oil Control S.p.a.. It may not be reproduced or given to third parties without its consent. The data specified above only serve to describe the product. No statements concerning a certain condition or suitability for a certain application can be derived from our information. The information given does not release the user from the obligation of own judgment and verification. It must be remembered that our products are subject to a natural process of wear and aging. Subject to change.