

Proportional valves pilot operated poppet type,
 2-way flow regulator not compensated
 Common cavity, Size 12

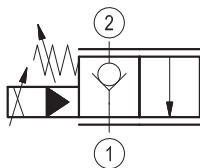
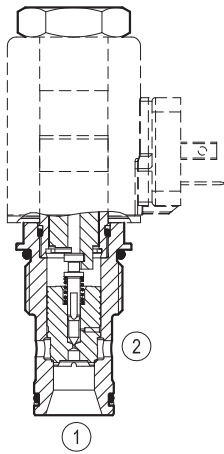
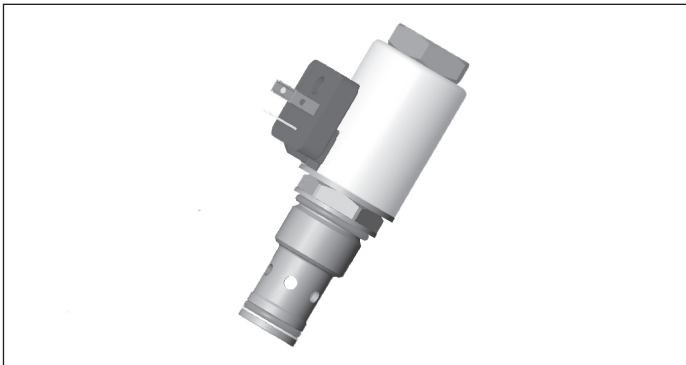
KSVS.2

KSVSR2AA / F - Y - V

RE 18323-74

Edition: 09.2016

Replaces: 03.2016



Technical data

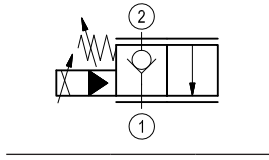
General	
Weight	0.60 kg (1.3 lbs)
Installation position	Any
Ambient temperature range	-20 to 120 °C (-4 to 248 °F)
Salt spray test to DIN 50021	720 h
Hydraulic	
Max. operating pressure port 1, 2	350 bar (5075 psi)
Maximum Δp	250 bar (3625 psi)
Nominal flow	145 l/min. at 35 bar Δp (38 gpm at 508 psi Δp)
Max. internal leakage	10 drops/min. (at $\Delta p=150$ bar; HLP46, $T_{oil} = 40^\circ C$)
Fluid temperature range	-20 to 80 °C (-4 to 176 °F)
Fluids: Mineral-based or synthetics with lubricating properties at viscosities of 15 to 380 mm ² /s (cSt)	
Recommended degree of fluid contamination	Nominal value max. 10 μ m (NAS 8) ISO 4406 19/17/14
Cavity	CA-12A-2N see 18325-70
Seal kit	material no. R961011031
Load cycles	2 Mio.
Electrical	
Type of voltage	DC voltage
Coil type	GP37 see 18325-90

Note: coils must be ordered separately.

Ordering code

KSVSR2	A	A/	F	Y	V
---------------	----------	-----------	----------	----------	----------

Proportional valves pilot operated poppet type
2-way flow regulator not compensated



Common cavity; CA-12A-2N

without manual override **N0**
with manual override **N11**

Seal material: FKM seals

Further types available by request

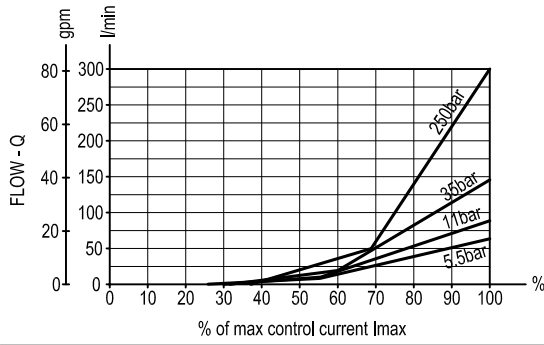
Preferred types

Type	Material number
KSVSR2AA/FN0V	R901392636
KSVSR2AA/FN11V	R901392637

Type	Material number

Characteristic curves

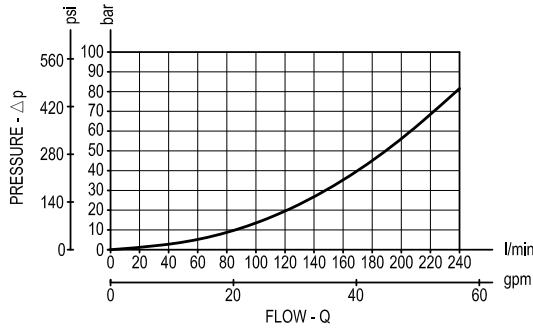
Compensated flow vs % of control current



Current	Hysteresis
40% - 90%	<7% of Imax
90% - 100%	<10% of Imax

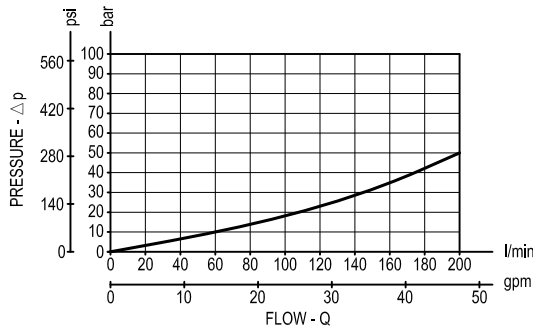
Reccomended dither frequency (PWM) 100 Hz

Delta p 2 to 1 at 100% of Imax control current



Max. flow 240 l/min. (63 gpm)

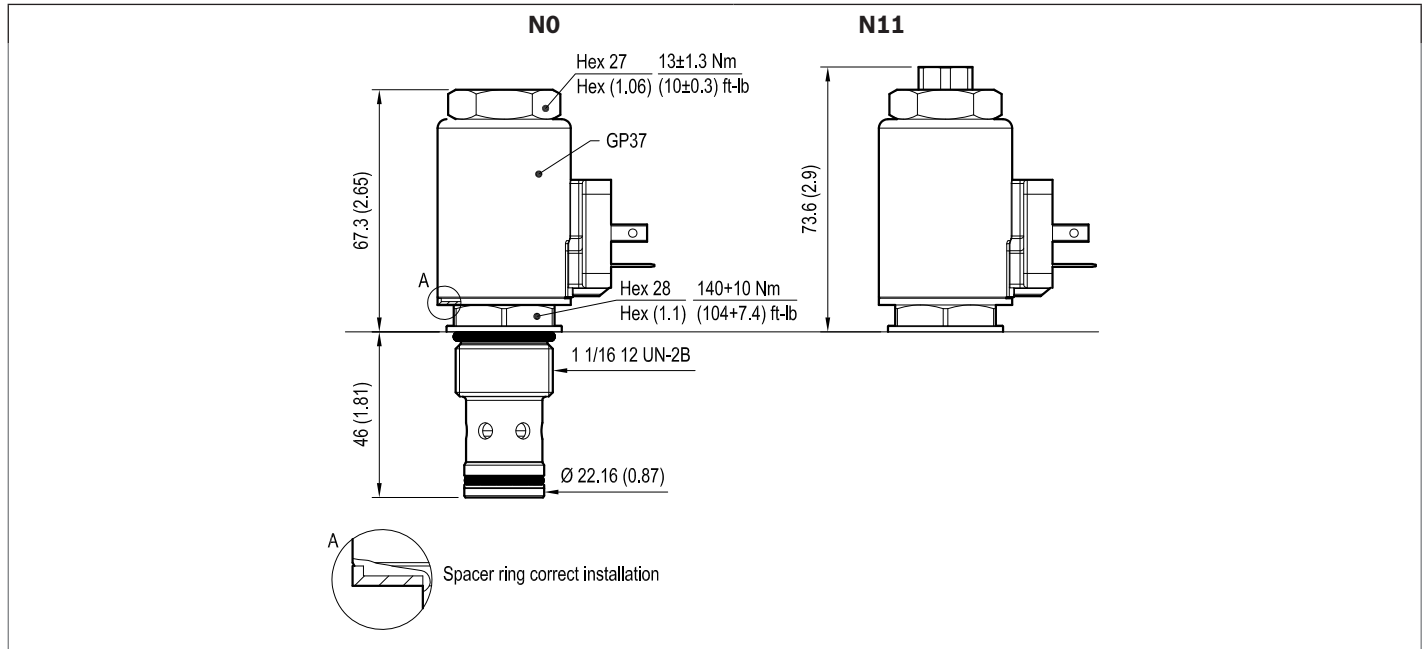
Delta p 1 to 2



Max. flow 200 l/min. (53 gpm)

Dimensions

▼ **Proportional valves pilot operated poppet type
2-way flow regulator not compensated**



Bosch Rexroth Oil Control S.p.A.

Via Leonardo da Vinci 5
 P.O. Box no. 5
 41015 Nonantola – Modena, Italy
 Tel. +39 059 887 611
 Fax +39 059 547 848
 compact-hydraulics-cv@boschrexroth.com
 www.boschrexroth.com/compacthydraulics

© This document, as well as the data, specifications and other information set forth in it, are the exclusive property of Bosch Rexroth Oil Control S.p.a.. It may not be reproduced or given to third parties without its consent. The data specified above only serve to describe the product. No statements concerning a certain condition or suitability for a certain application can be derived from our information. The information given does not release the user from the obligation of own judgment and verification. It must be remembered that our products are subject to a natural process of wear and aging. Subject to change.