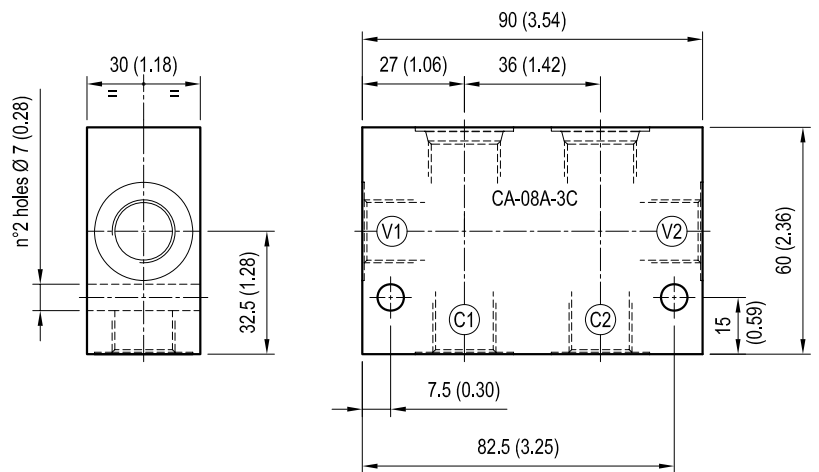


### Standard manifolds - Common cavity Size 08 - Aluminium / Steel

CAVITY: CA-08A-3C  
(DOUBLE CAVITY)

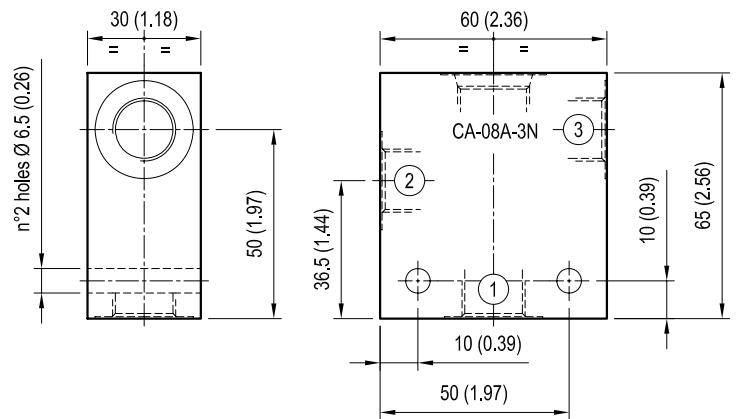
|           | Ordering code           | Ports<br>V1-V2-C1-C2 | Weight<br>kg (lbs) |
|-----------|-------------------------|----------------------|--------------------|
| Aluminium | OC1009185<br>R934000146 | G 3/8                | 0.36<br>(0.79)     |
|           |                         |                      |                    |
| Steel     | OC1009184<br>R934000145 | G 3/8                | 1.00<br>(2.21)     |
|           |                         |                      |                    |



[ mm / Inches ]

CAVITY: CA-08A-3N

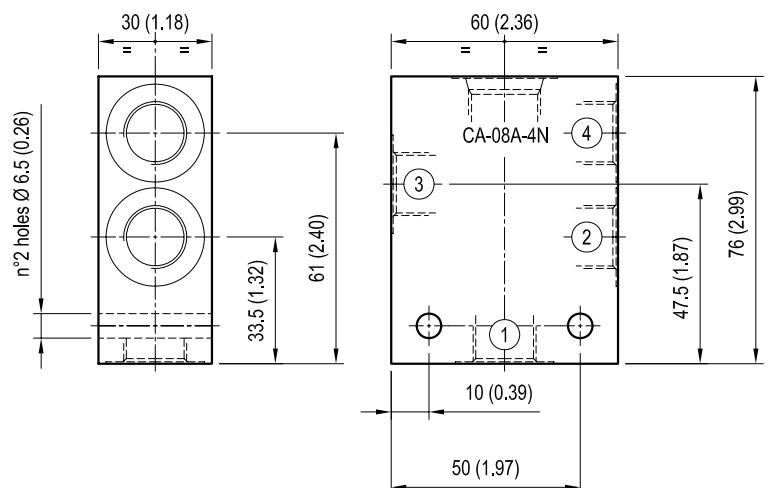
|           | Ordering code           | Ports<br>1-2-3 | Weight<br>kg (lbs) |
|-----------|-------------------------|----------------|--------------------|
| Aluminium | OC1009042<br>R901100471 | G 1/4          | 0.30 (0.66)        |
|           | OC1009048<br>R901100497 | G 3/8          | 0.27 (0.60)        |
| Steel     | OC1009225<br>R934000186 | G 1/4          | 0.78 (1.72)        |
|           | OC1009153<br>R934000140 | G 3/8          | 0.74 (1.63)        |



[ mm / Inches ]

CAVITY: CA-08A-4N

|           | Ordering code           | Ports<br>1-2-3-4 | Weight<br>kg (lbs) |
|-----------|-------------------------|------------------|--------------------|
| Aluminium | OC1009047<br>R901100531 | G 1/4            | 0.33 (0.73)        |
|           | OC1009046<br>R901100524 | G 3/8            | 0.29 (0.64)        |
| Steel     | OC1009236<br>R934000197 | G 1/4            | 0.93 (2.05)        |
|           | OC1009237<br>R934000198 | G 3/8            | 0.81 (1.79)        |



[ mm / Inches ]