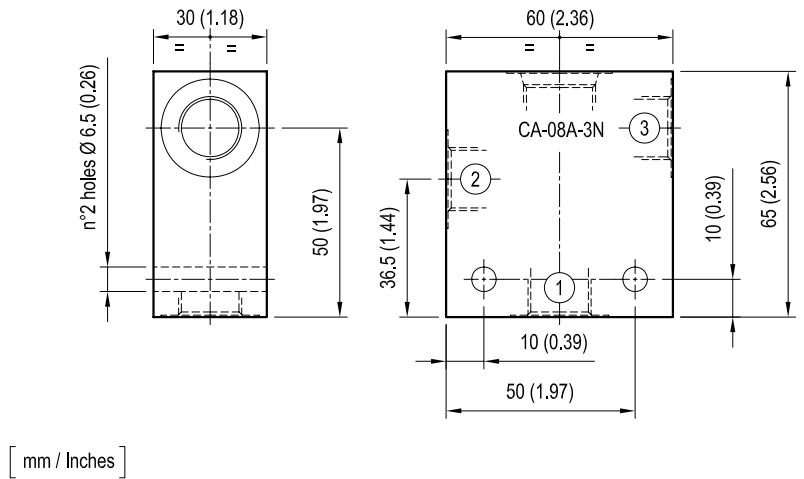


### Standard manifolds - Common cavity Size 08 - Aluminium / Steel

CAVITY: CA-08A-3N

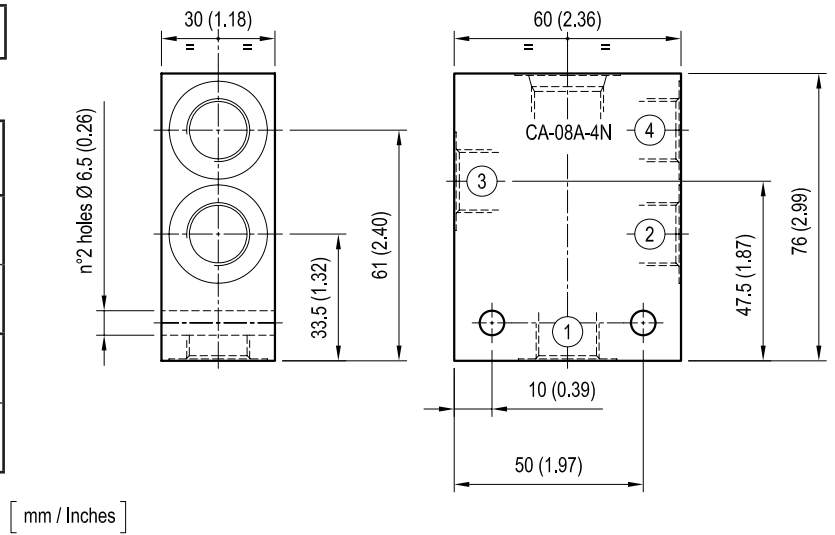
	Ordering code	Ports 1-2-3	Weight kg (lbs)
Aluminium	OC1009042 R901100471	G 1/4	0.30 (0.66)
	OC1009048 R901100497	G 3/8	0.27 (0.60)
Steel	OC1009225 R934000186	G 1/4	0.78 (1.72)
	OC1009153 R934000140	G 3/8	0.74 (1.63)



[ mm / Inches ]

CAVITY: CA-08A-4N

	Ordering code	Ports 1-2-3-4	Weight kg (lbs)
Aluminium	OC1009047 R901100531	G 1/4	0.33 (0.73)
	OC1009046 R901100524	G 3/8	0.29 (0.64)
Steel	OC1009236 R934000197	G 1/4	0.93 (2.05)
	OC1009237 R934000198	G 3/8	0.81 (1.79)



[ mm / Inches ]