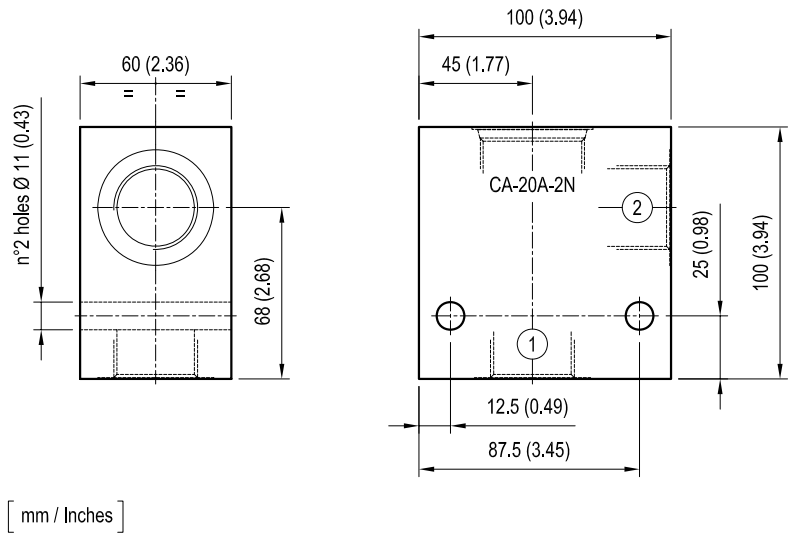


Standard manifolds - Common cavity Size 20 - Aluminium / Steel

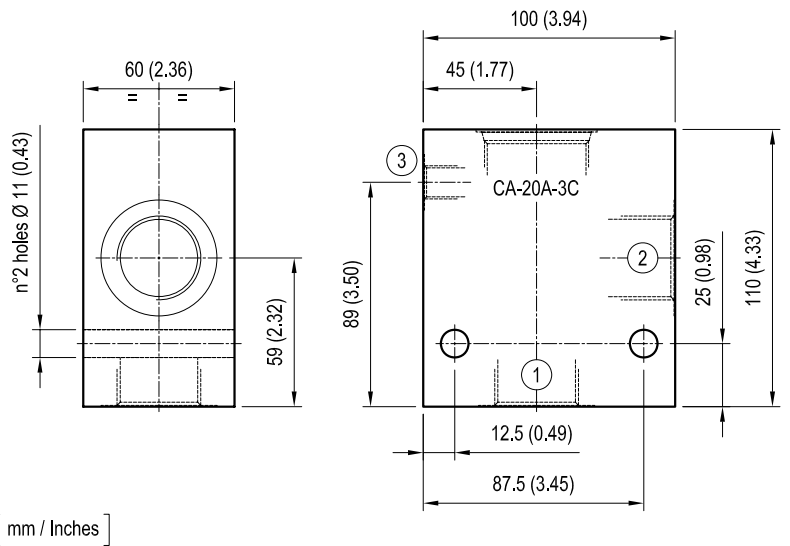
CAVITY: CA-20A-2N

	Ordering code	Ports 1-2	Weight kg (lbs)
Aluminium	OC1009223 R934000184	G 1	1.3 (2.87)
	OC1009221 R934000182	G 1-1/4	1.21 (2.67)
Steel	OC1009224 R934000185	G 1	3.65 (8.05)
	OC1009222 R934000183	G 1-1/4	3.40 (3.50)



CAVITY: CA-20A-3C

	Ordering code	Ports 1-2	3	Weight kg (lbs)
Aluminium	OC1009278 R934000239	G 1	G 1/4	1.43 (3.15)
	OC1009276 R934000237	G 1-1/4	G 1/4	1.35 (2.98)
Steel	OC1009279 R934000240	G 1	G 1/4	4.02 (8.86)
	OC1009277 R934000238	G 1-1/4	G 1/4	3.78 (8.33)



CAVITY: CA-20A-3C
(DOUBLE CAVITY)

	Ordering code	Ports V1-V2-C1-C2	Weight kg (lbs)
Aluminium	OC1009197 R934000158	G 1-1/4	2.53 (5.58)
Steel	OC1009196 R934000157	G 1-1/4	7.11 (15.68)

