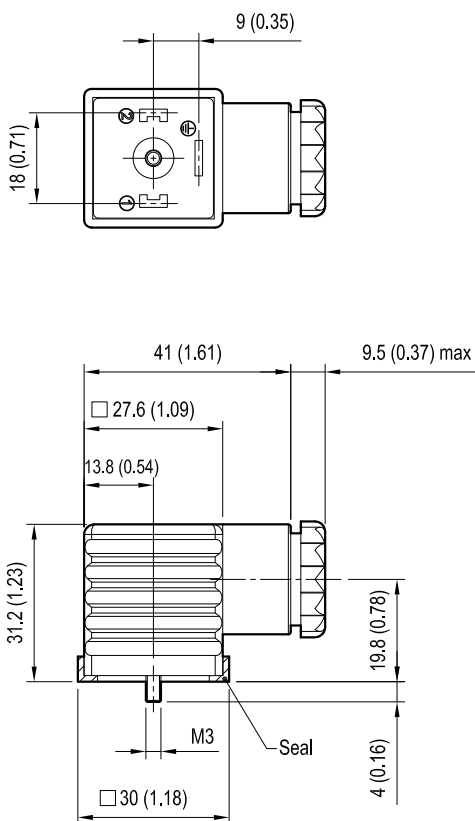


Coils - Connectors

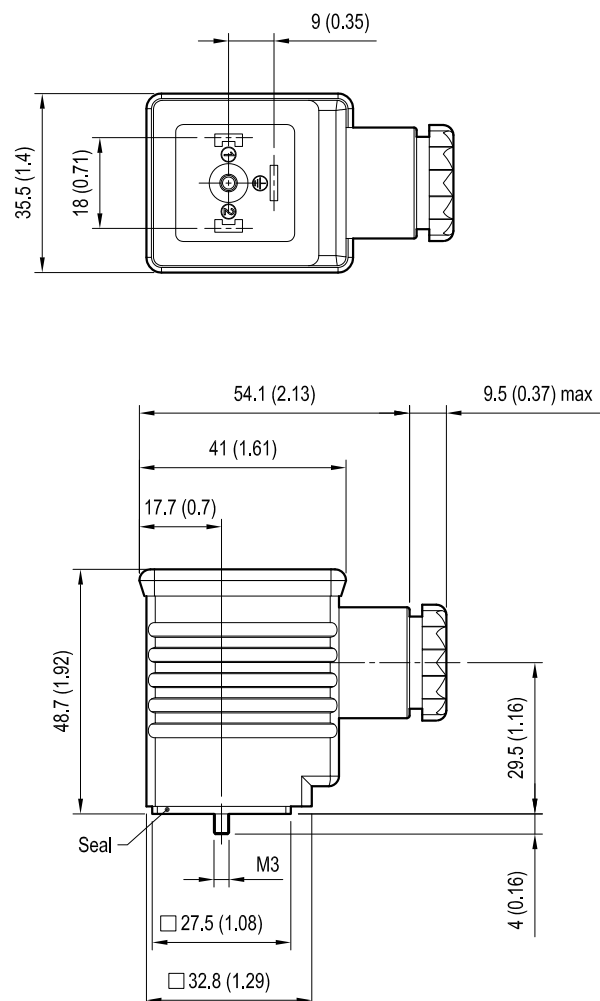
CONNECTOR IP67 - EN 175000 (DIN 4350-A) / ISO 4400

Ambient temperature	- Standard	°C	- 20 to + 100
	-With indicator lamp/rectifier	°C	-20 to + 60
Type of protection according to DIN 40050	IP67 with cable socket mounted and locked		
Operating voltage	V Choose the proper ordering code according to the circuit		
Maximum operating current	- Standard	A	16
	- With rectifier	A	1 or 3
Current consumption of LED	mA approx. 10		
LED	Red		
Number of pins	2 + PE		
Clamping range for cables having an outer diameter of	mm	5, up to 10	
Cable entry	Pg9 / Pg11 (unified)		
Maximum cable cross-section	mm ²	1.5	

Type 1



Type 2

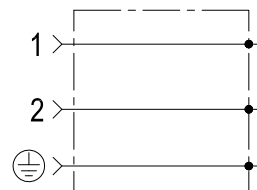


[mm / Inches]

Coils - Connectors

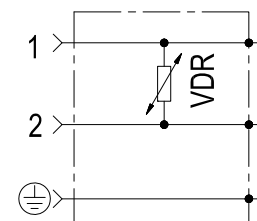
CONNECTOR IP67 - EN 175000 (DIN 4350-A) / ISO 4400

STANDARD CIRCUIT



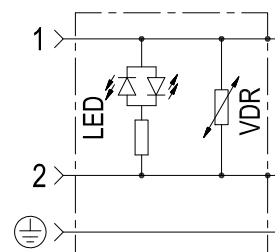
Colour	Valve side	Cable entry	Type connector	Code	Material number
black	B	Pg9 / Pg11	type 1	OD016901000000	R934004344
grey	A	Pg9 / Pg11	type 1	OD016901000003	R934004346

CIRCUIT WITH VDR



Voltage V	Colour	Valve side	Cable entry	Type connector	Code	Material number
12	black	A/B	Pg9 / Pg11	type 1	OD016907000B00	R934004361
24	black	A/B	Pg9 / Pg11	type 1	OD016907000C00	R934004362
115	black	A/B	Pg9 / Pg11	type 1	OD016907000E00	R934004363
230	black	A/B	Pg9 / Pg11	type 1	OD016907000F00	R934004364

CIRCUIT WITH VDR + LED

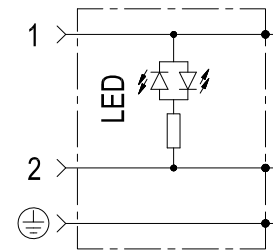


Voltage V	Colour	Valve side	Cable entry	Led colour	Type connector	Code	Material number
12	transparent	A/B	Pg9 / Pg11	red	type 1	OD016921000B00	R934004370
24	transparent	A/B	Pg9 / Pg11	red	type 1	OD016921000C00	R934004371

Coils - Connectors

CONNECTOR IP67 - EN 175000 (DIN 4350-A) / ISO 4400

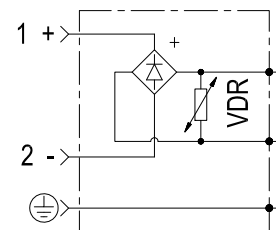
CIRCUIT WITH LED



Voltage V	Colour	Valve side	Cable entry	Led colour	Type connector	Code	Material number
12	transparent	A/B	Pg9 / Pg11	red	type 1	OD01690300OB00	R934004354
24	transparent	A/B	Pg9 / Pg11	red	type 1	OD01690300OC00	R934004355
230	transparent	A/B	Pg9 / Pg11	red	type 1	OD01690300OF00	R934004356

CIRCUIT WITH VDR + WAVE RECTIFIER

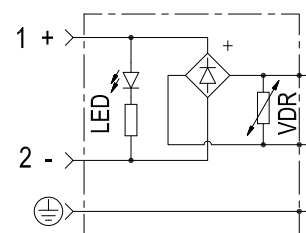
Note: for diode with capacity max 1 Amp, suitable only for S8-356 coils.



Voltage V	Diode Capacity I max	Colour	Valve side	Cable entry	Type connector	Code	Material number	
								AC
115	/	1 A	black	A/B	Pg9 / Pg11	type 1	OD01690201OW00	R934004352
230	/	1 A	black	A/B	Pg9 / Pg11	type 1	OD01690201OZ00	R934004353
24	/	3 A	black	A/B	Pg9 / Pg11	type 2	OD01690200OV00	R934004349
115	/	3 A	black	A/B	Pg9 / Pg11	type 2	OD01690200OW00	R934004350
230	/	3 A	black	A/B	Pg9 / Pg11	type 2	OD01690200OZ00	R934004351

CIRCUIT WITH VDR + WAVE RECTIFIER + LED

Note: for diode with capacity max 1 Amp, suitable only for S8-356 coils.

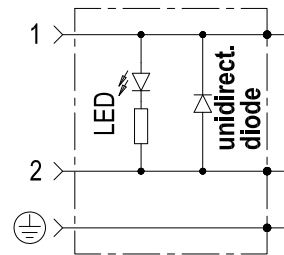


Voltage V	Diode Capacity I max	Colour	Valve side	Cable entry	Led colour	Type connector	Code	Material number	
									AC
115	/	1 A	transparent	A/B	Pg9 / Pg11	red	type 1	OD01691901OW00	R934004369
230	/	3 A	transparent	A/B	Pg9 / Pg11	red	type 2	OD01691900OZ00	R934004367

Coils - Connectors

CONNECTOR IP67 - EN 175000 (DIN 4350-A) / ISO 4400

CIRCUIT WITH UNIDIRECTIONAL DIODE +LED



Voltage V		Colour	Valve side	Cable entry	Led colour	Type connector	Code	Material number
AC	DC							
/	12	transparent	A/B	Pg9 / Pg11	red	type 1	OD01691000OB00	R934004365
/	24	transparent	A/B	Pg9 / Pg11	red	type 1	OD01691000OC00	R934004366