

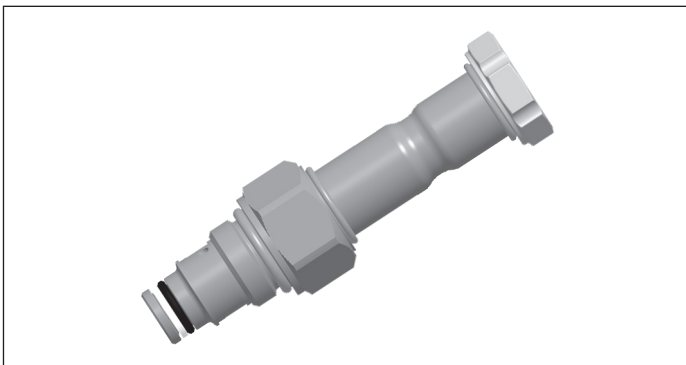
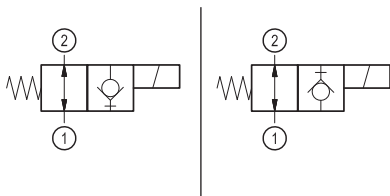
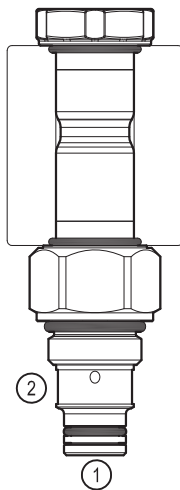
Solenoid operated valves direct acting poppet type  
 2-way normally open  
 Common cavity, Size 08

VED-16-08A-NA

OD.11 - X - 18 - Y - Z - 00

**RE 18324-17**

Edition: 06.2018

**PATENT PENDING****Technical data**

<b>General</b>	
Weight	0.20 kg (0.44 lbs)
Installation orientation	Unrestricted
Ambient temperature range	-30 to 60 °C (-22 to 140 °F)
<b>Hydraulic</b>	
Max. operating pressure	350 bar (5000 psi)
Rated flow	1.5 l/min (0.4 gpm)
Max. internal leakage:	20 drops/min.
Switching time	Closing ≤ 100 ms
	Opening ≤ 50 ms
Fluid temperature range	-20 to 80 °C (-4 to 176 °F)
Fluids: Mineral-based or synthetics with lubricating properties at viscosities of 20 to 380 mm <sup>2</sup> /s (cSt)	
Installation torque	39 - 51 Nm (29 - 38 ft-lbs)
Recommended degree of fluid contamination	Nominal value max. 10 µm (NAS 8) ISO 4406 19/17/14
Common cavity	CA-08A-2N see 18325-70
Seal kit for X=02,04	code RG08A2010520100 material no. R901101437
Seal kit coil and standard cap	code RG02Z0010000100 material no. R930067869
Seal kit coil and protective cap only for Y=B	code RG03Z0010000100 material no. R930067870
Seal kit coil and protective cap only for Y=C	code RG04Z0010000100 material no. R930069171
Other technical data	See data sheet 18350-50
<b>Electrical</b>	
Type of voltage	DC voltage
Coil type	D36
Supply voltage	See data sheet 18325-90
Voltage tolerance against ambient temperature	See characteristic curve
Power consumption	20 W
Type of protection	See data sheet 18325-90
Note: Coils must be ordered separately	

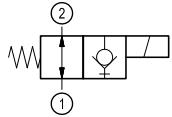
**Ordering code**

<b>OD.11</b>	<b>X</b>	<b>18</b>	<b>Y</b>	<b>Z</b>	<b>0000</b>	<b>*</b>
--------------	----------	-----------	----------	----------	-------------	----------

Solenoid operated valves  
direct acting poppet type  
2-way normally open

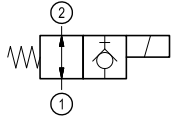
Series O/A to L  
unchanged performances and dimensions

bidirectional type



**02**

bidirectional type



**04**

**0** = With buna seal  
**V** = With Viton seal  
**P** = With buna seal and protective cap for override version **B** and **C**  
**T** = With Viton seal and protective cap for override version **B** and **C**

**A** = Standard  
**B** = Push style manual override  
**C** = Push and twist style manual override

Common cavity: CA-08A-2N

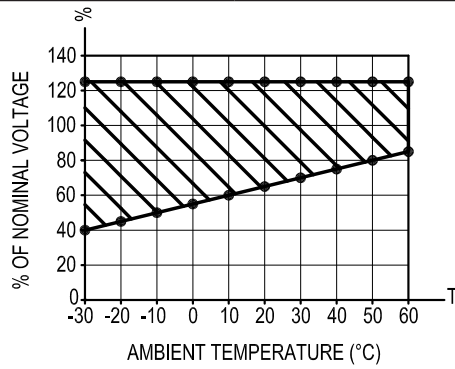
**Preferred types**

Type	Material number
OD110218A000000	R930066943
OD110218B000000	R930065612
OD110218C000000	R930066948
OD110418A000000	R930066947
OD110418B000000	R930066950
OD110418C000000	R930066946

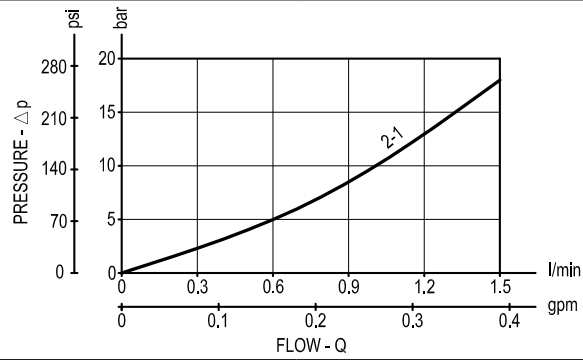
Type	Material number

Characteristic curves

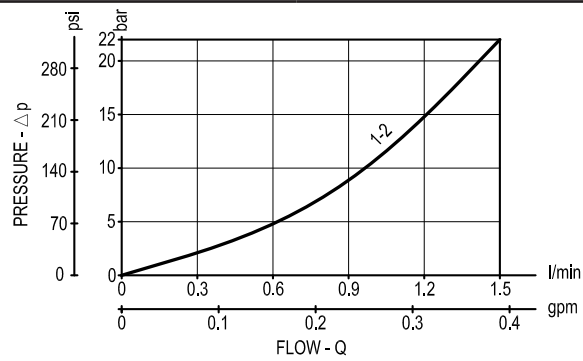
All Versions - Admissible supply voltage Vs. Ambient temperature at 100% duty cycle

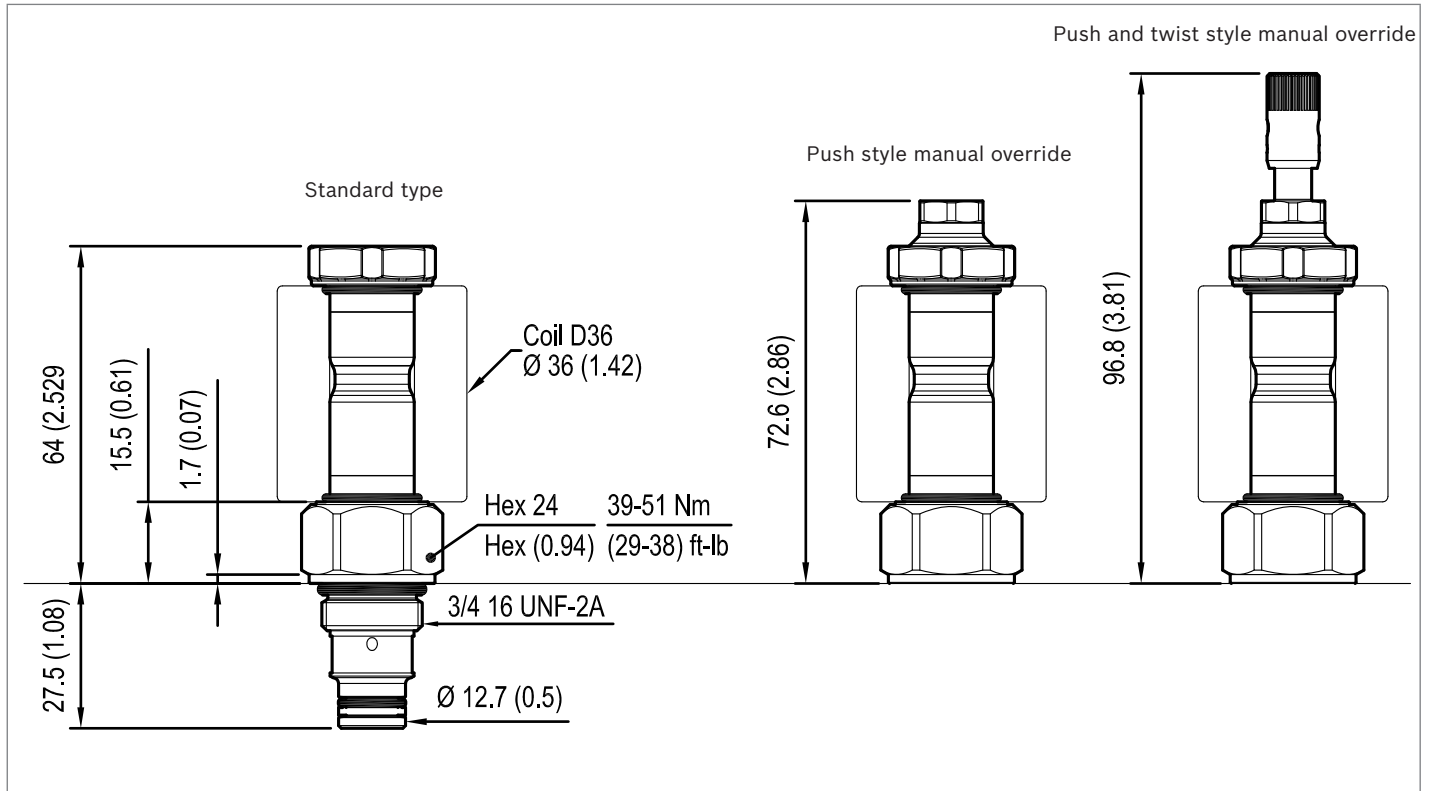


Versions 02



Versions 04



**Dimensions****Solenoid operated valves, poppet 2-way  
normally closed****Bosch Rexroth Oil Control S.p.A.**

Via Leonardo da Vinci 5  
P.O. Box no. 5  
41015 Nonantola – Modena, Italy  
Tel. +39 059 887 611  
Fax +39 059 547 848  
compact-hydraulics-cv@boschrexroth.com  
www.boschrexroth.com/compacthydraulics

© This document, as well as the data, specifications and other information set forth in it, are the exclusive property of Bosch Rexroth Oil Control S.p.a.. It may not be reproduced or given to third parties without its consent. The data specified above only serve to describe the product. No statements concerning a certain condition or suitability for a certain application can be derived from our information. The information given does not release the user from the obligation of own judgment and verification. It must be remembered that our products are subject to a natural process of wear and aging. Subject to change.