

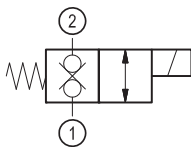
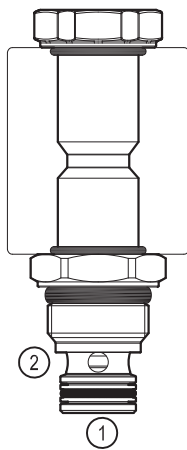
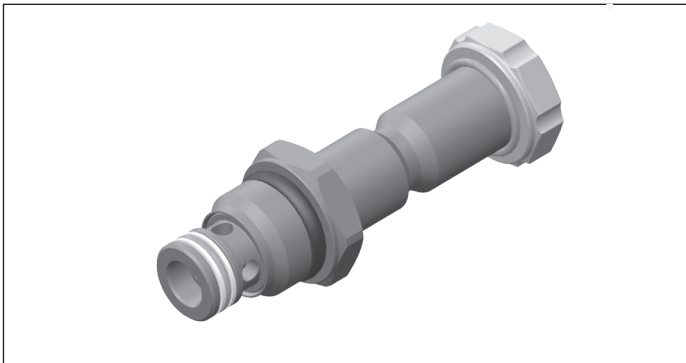
Solenoid operated valves direct acting poppet type  
 2-way double lock  
 Hydac cavity interchange, 06020

VEDT-16-NC-08F

OD.11 - X - 40 - Y - Z

**RE 18324-14**

Edition: 05.2017

**Technical data**

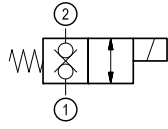
<b>General</b>	
Weight	0.12 kg (0.26 lbs)
Installation orientation	Unrestricted
Ambient temperature range	-30 to 90 °C (-22 to 194 °F)
<b>Hydraulic</b>	
Max. operating pressure	up to 250 bar (3625 psi)
Max. flow	up to 15 l/min. (4 gpm)
Max. internal leakage	5 drops/min
Fluid temperature range	-20 to 80 °C (-4 to 176 °F)
Fluids: Mineral-based or synthetics with lubricating properties at viscosities of 20 to 380 mm <sup>2</sup> /s (cSt)	
Installation torque	34 - 39 Nm (25 - 29 ft-lbs)
Recommended degree of fluid contamination	Nominal value max. 10 µm (NAS 8) ISO 4406 19/17/14
MTTFd	150 years see RE 18350-51
Special cavity	Hydac 06020 see 18325-75
Seal kit	code material no. RG40E201053010 R934003587
Seal kit coil	code material no. RG01Z0010000100 R930058940
Lines bodies and standard assemblies	Please refer to section "Hydraulic integrated circuit" or consult factory
Other technical data	See data sheet 18350-50
<b>Electrical</b>	
Type of voltage	DC voltage
Coil type	D36
Supply voltage	See data sheet 18325-90
Admitted voltage tolerance: see characteristic curves and table	
Power consumption	20 W
Type of protection	See data sheet 18325-90
Note: Coils must be ordered separately	

**Ordering code**

<b>OD.11</b>	<b>X</b>	<b>40</b>	<b>Y</b>	<b>Z</b>	<b>0000</b>	<b>*</b>
--------------	----------	-----------	----------	----------	-------------	----------

Solenoid operated valves  
direct acting poppet type  
2-way double lock

Series O/A to L  
unchanged performances and dimensions



**31**

0 = With Buna seal  
V = With Viton seal

A = Standard  
B = Push style manual override

Special cavity: Hydac 06020

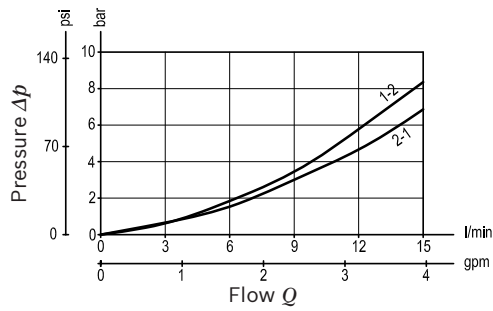
Type	Material number
OD113140A000000	R930058706
OD113140B000000	R930058696

Type	Material number

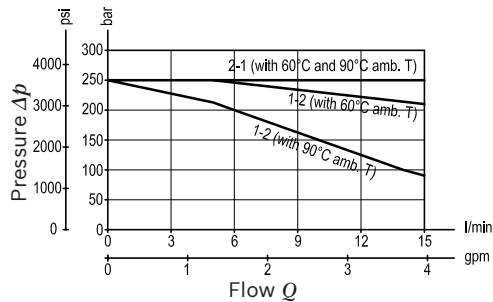
## Characteristic curves

### Version 31

Pressure drop



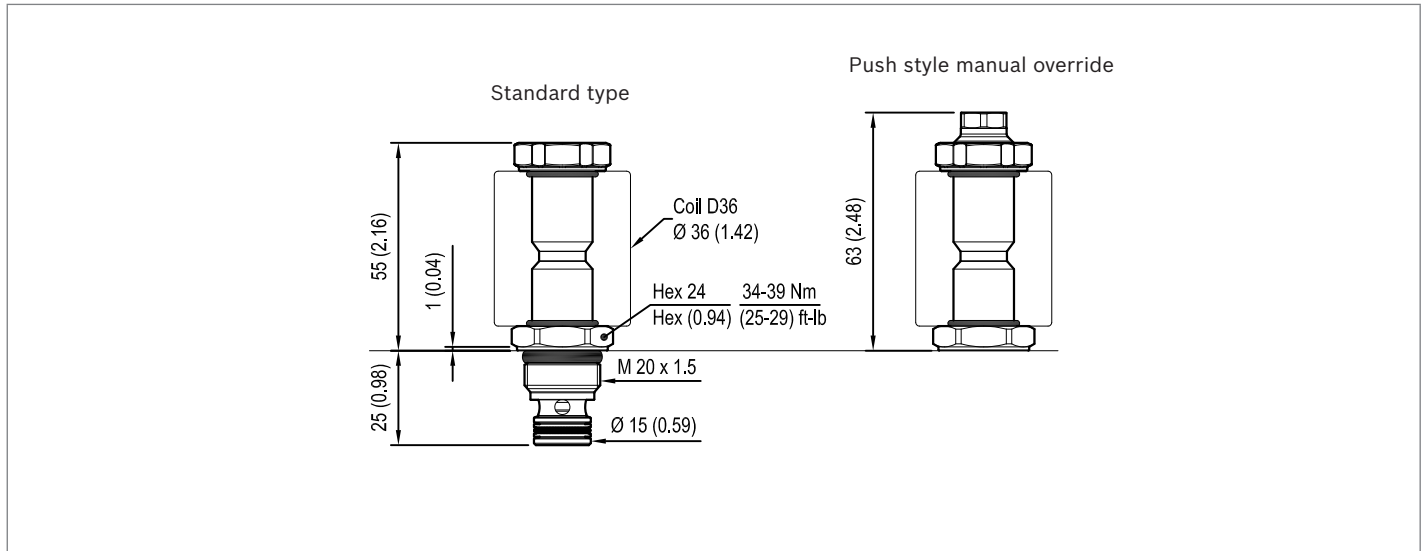
### Performance limits at 100% duty cycle



#### Minimum switching voltage

Flow direction	Amb. T	Voltage required
2-1	60°C	-20% of V nominal
2-1	90°C	V nominal
1-2	60°C	-10% of V nominal
1-2	90°C	V nominal

Note: in case of need of performance limits at specific different working conditions, please consult factory.

**Dimensions****Solenoid operated valves, direct acting  
poppet type 2-way double lock****Bosch Rexroth Oil Control S.p.A.**

Via Leonardo da Vinci 5  
P.O. Box no. 5  
41015 Nonantola – Modena, Italy  
Tel. +39 059 887 611  
Fax +39 059 547 848  
compact-hydraulics-cv@boschrexroth.com  
www.boschrexroth.com/compacthydraulics

© This document, as well as the data, specifications and other information set forth in it, are the exclusive property of Bosch Rexroth Oil Control S.p.a.. It may not be reproduced or given to third parties without its consent. The data specified above only serve to describe the product. No statements concerning a certain condition or suitability for a certain application can be derived from our information. The information given does not release the user from the obligation of own judgment and verification. It must be remembered that our products are subject to a natural process of wear and aging. Subject to change.