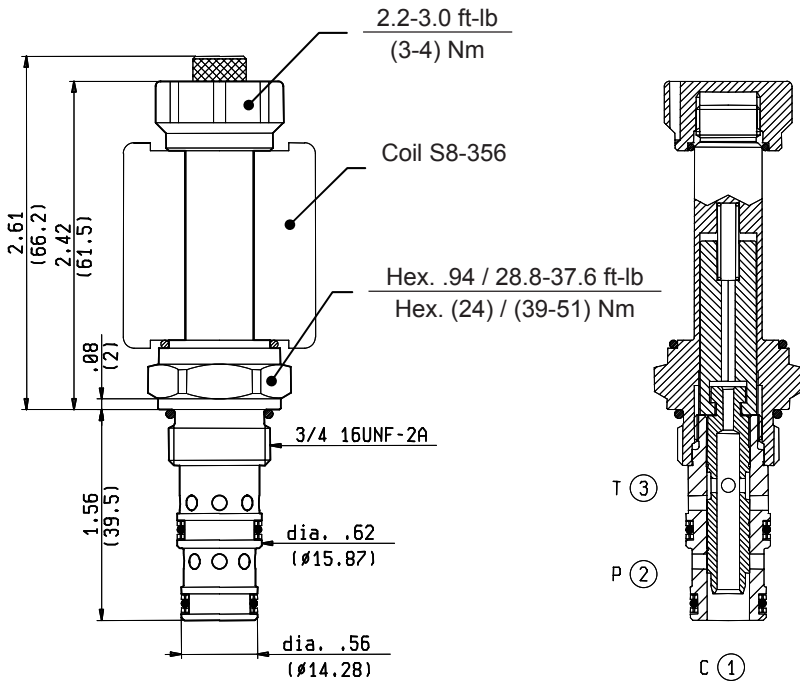


**SOLENOID OPERATED VALVES
 SPOOL 3-WAY 2-POSITION
 COMMON CAVITY**

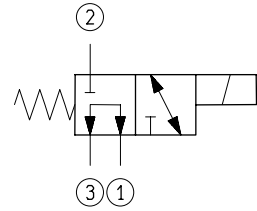
VED-8I-32-06-NC

SIZE 08

OD.13.20.51 - Y - 00

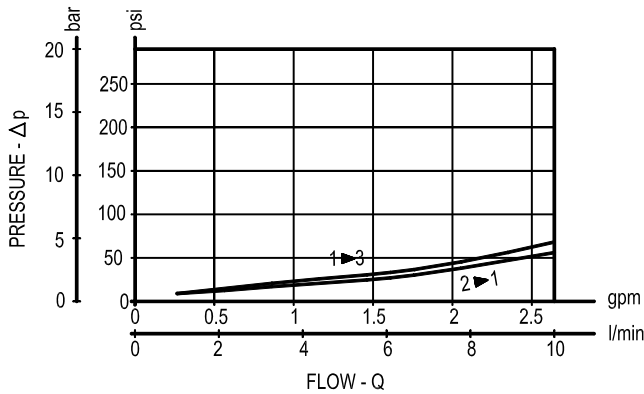


Inches
(mm)



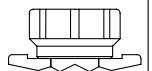
TECHNICAL DATA

| | |
|--|--|
| Maximum Operating Pressure | 3000 psi (210 bar) |
| Rated Flow | 3 gpm (10 l/min) |
| Cavity - Tooling (CA-08A-3N) | page CT.A.003.U |
| Line bodies | page MN2.A... |
| Weight | 0.286 lbs (0.130 kg) |
| Fluids - Temperatures | page 7.01.040 |
| Testing Conditions - Seals | page 7.01.040 |
| Internal Leakage at 3000 psi (210 bar) with 46 cSt oil | Max.2.5 in ³ /min (Max.40 cm ³ /min) |
| Filtration : 25 μ m nominal or better | page 7.01.050 |
| Minimum Voltage Required | 90% of nominal |
| Coils must be ordered separately | page 1.71.042 |
| Mounting Position | unrestricted |



Y ORDERING OPTIONS

30 Standard



40 Knob Style Manual Override

