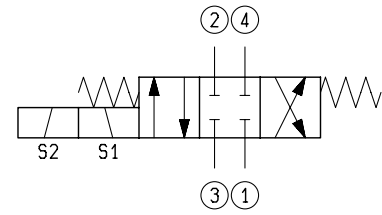
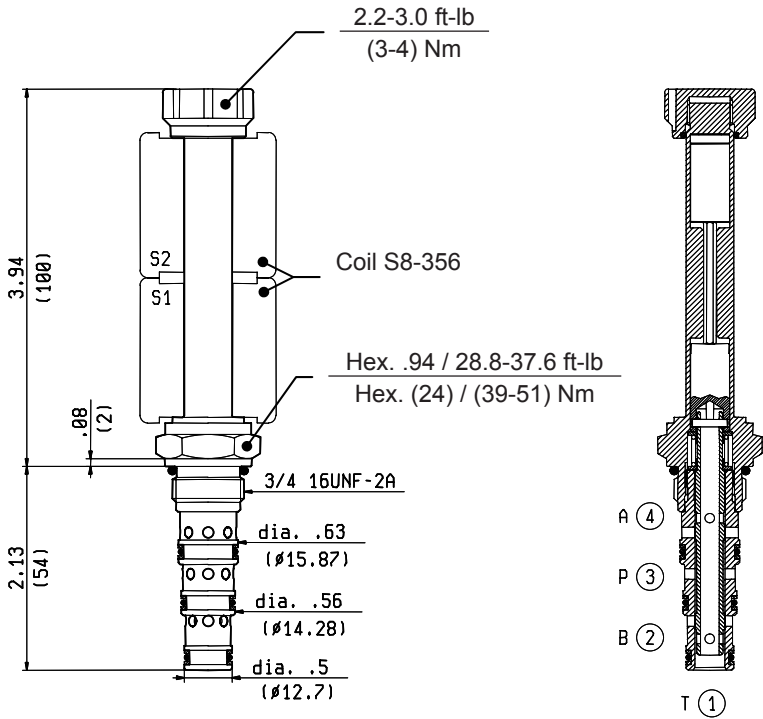


SOLENOID OPERATED VALVES
SPOOL 4-WAY 3-POSITION
COMMON CAVITY

VED-8I-43-06-CC

SIZE 08

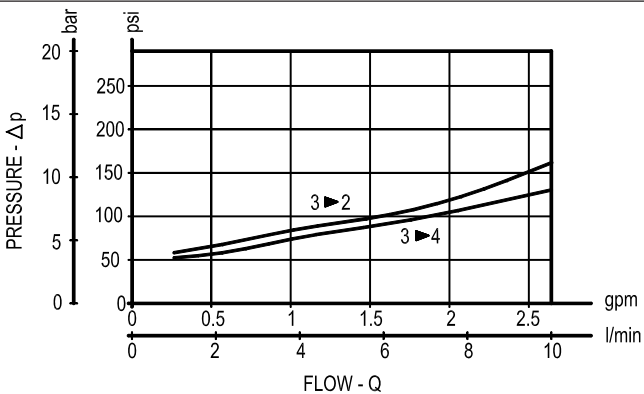
OD.14.31.58 - Y - 00



Inches
(mm)

TECHNICAL DATA

Maximum Operating Pressure	3000 psi (210 bar)
Rated Flow	3 gpm (10 l/min)
Cavity - Tooling (CA-08A-4N)	page CT.A.004.U
Line bodies	page MN2.A...
Weight	0.397 lbs (0.180 kg)
Fluids - Temperatures	page 7.01.040
Testing Conditions - Seals	page 7.01.040
Internal Leakage at 3000 psi (210 bar) with 46 cSt oil	Max.7.3 in ³ /min (Max.120 cm ³ /min)
Filtration : 25 μ m nominal or better	page 7.01.050
Minimum Voltage Required	90% of nominal
Coils must be ordered separately	page 1.71.042
Mounting Position	unrestricted



Y ORDERING OPTIONS

44 Standard

