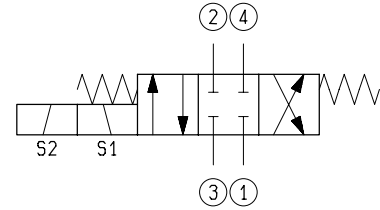
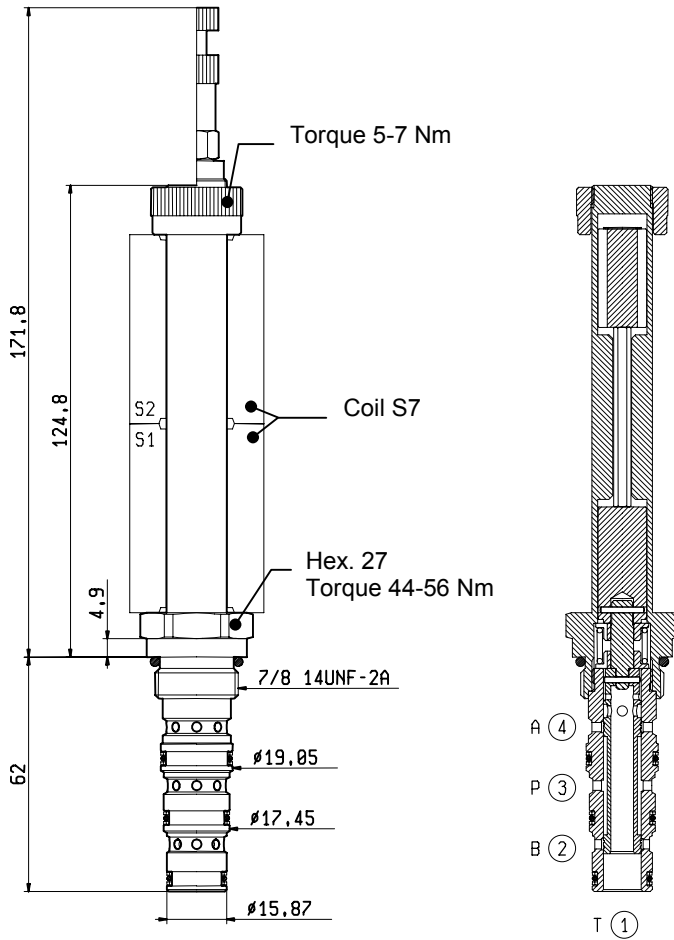


**SOLENOID OPERATED VALVES  
SPOOL 4-WAY 3-POSITION  
CARTRIDGE STYLE**



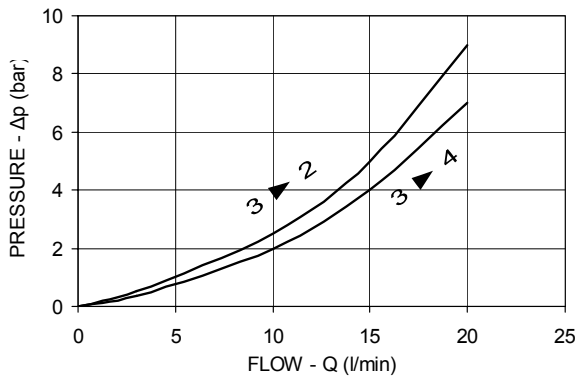
**VED-71-43-09-CC**

**OD.14.31.78 - Y - 00**



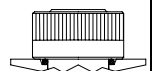
**TECHNICAL DATA**

Maximum Operating Pressure	210	bar
Rated Flow	20	l/min
Cavity - Tooling (078-E)	page 7.01.140	
Weight	0.270	kg
Fluids - Temperatures	page 7.01.040	
Testing Conditions - Seals	page 7.01.040	
Internal Leakage at 210 bar with 46 cSt oil	Max.120 cm <sup>3</sup> /min	
Filtration : 25 μm nominal or better	page 7.01.050	
Minimum Voltage Required	90% of nominal	
Coils must be ordered separately	page 1.71.070	
Mounting Position	unrestricted	



**Y ORDERING OPTIONS**

**80** Standard



**81** Push and Pull Manual Override

