

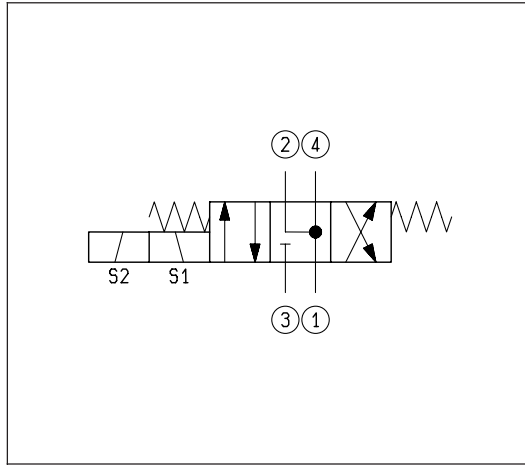
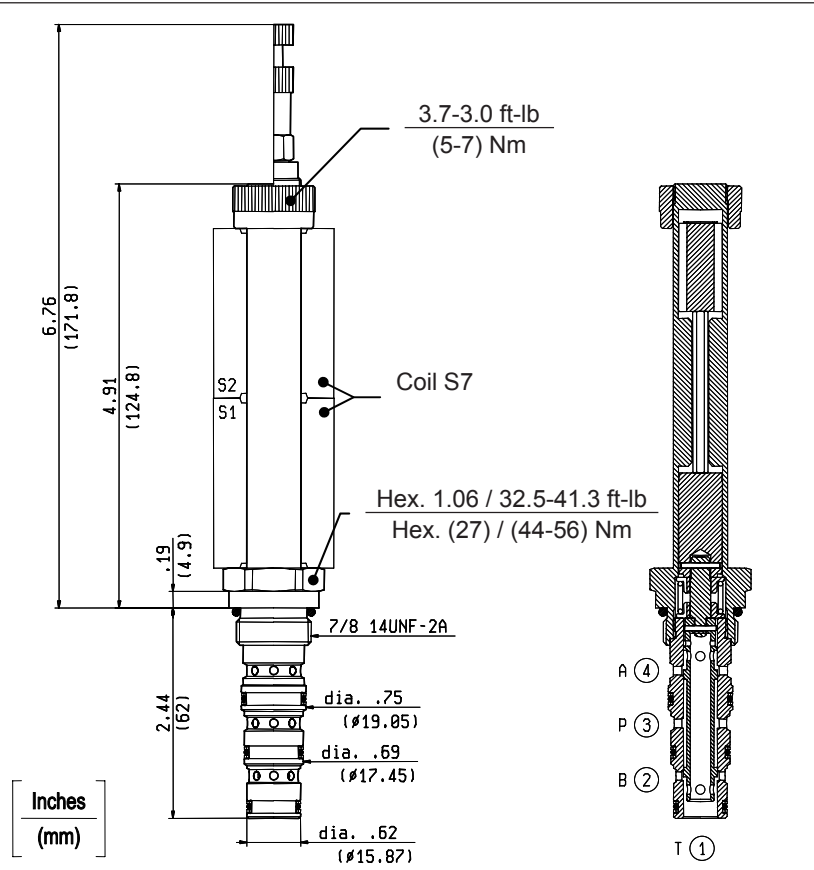
**SOLENOID OPERATED VALVES
SPOOL 4-WAY 3-POSITION
COMMON CAVITY**



VED-71-43-09-ABT

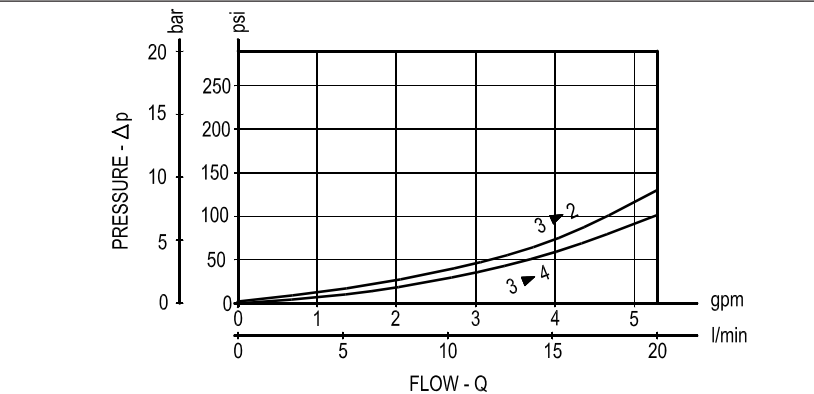
SIZE 10

OD.14.32.78 - Y - 00



TECHNICAL DATA

Maximum Operating Pressure	3000 psi (210 bar)
Rated Flow	6 gpm (20 l/min)
Cavity - Tooling (CA-10A-4N)	page CT.A.004.U
Line bodies	page MN2.A...
Weight	0.595 lbs (0.270 kg)
Fluids - Temperatures	page 7.01.040
Testing Conditions - Seals	page 7.01.040
Internal Leakage at 3000 psi (210 bar) with 46 cSt oil	Max. 7.3 in ³ /min (Max. 120 cm ³ /min)
Filtration : 25 μm nominal or better	page 7.01.050
Minimum Voltage Required	90% of nominal
Coils must be ordered separately	page 1.71.070
Mounting Position	unrestricted



Y	ORDERING OPTIONS	
80	Standard	
81	Push and Pull Manual Override	