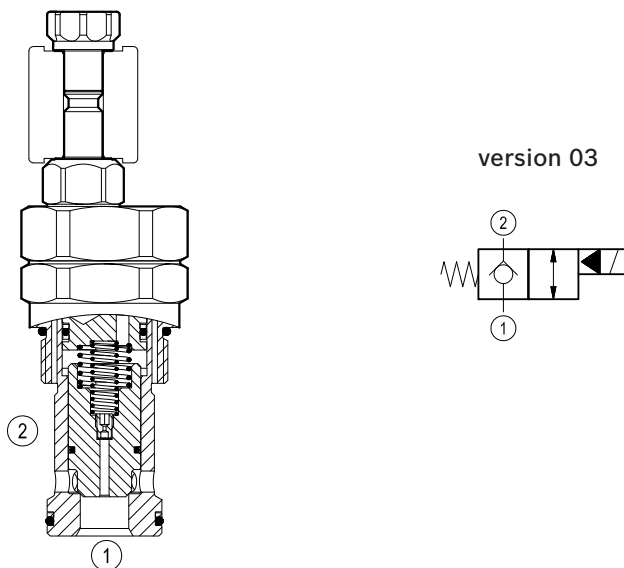


Solenoid operated valves pilot operated poppet type 2-way normally closed

Special cavity, 004

VEI-8A-2B-16-NC-NSS

OD.15.03.04 - Y - S0



General

Weight	kg (lbs)	1.13 (2.5)
Installation orientation		Optional
Ambient temperature range	°C (°F)	-30 to 60 (-22 to 140)

Hydraulic

Max. operating pressure	bar (psi)	350 (5000)
Max. proof pressure	bar (psi)	420 (6000)
Rated flow	l/min. (gpm)	260 (69)
Fatigue cycle life	cycles	1 million cycles at 350 bar
Max. internal leakage	drops/min.	20
Fluid temperature range	°C (°F)	-20 to 80 (-4 to 176)
Fluids		Mineral-based or synthetics with lubricating properties at viscosities of 20 to 380 mm ² /s (cSt)
Installation torque	Nm (ft-lbs)	110-130 (81-96)
Filtration		Nominal value max. 25µm (NAS 8) ISO 4406 19/17/14
Special cavity		004 see RE 18325-75
Seal kit	code material no.	RG0004020520100 R930001696
Seal kit coil	code material no.	RG12A1PNBR7010 R934003958
Other technical data		See data sheet RE 18350-50

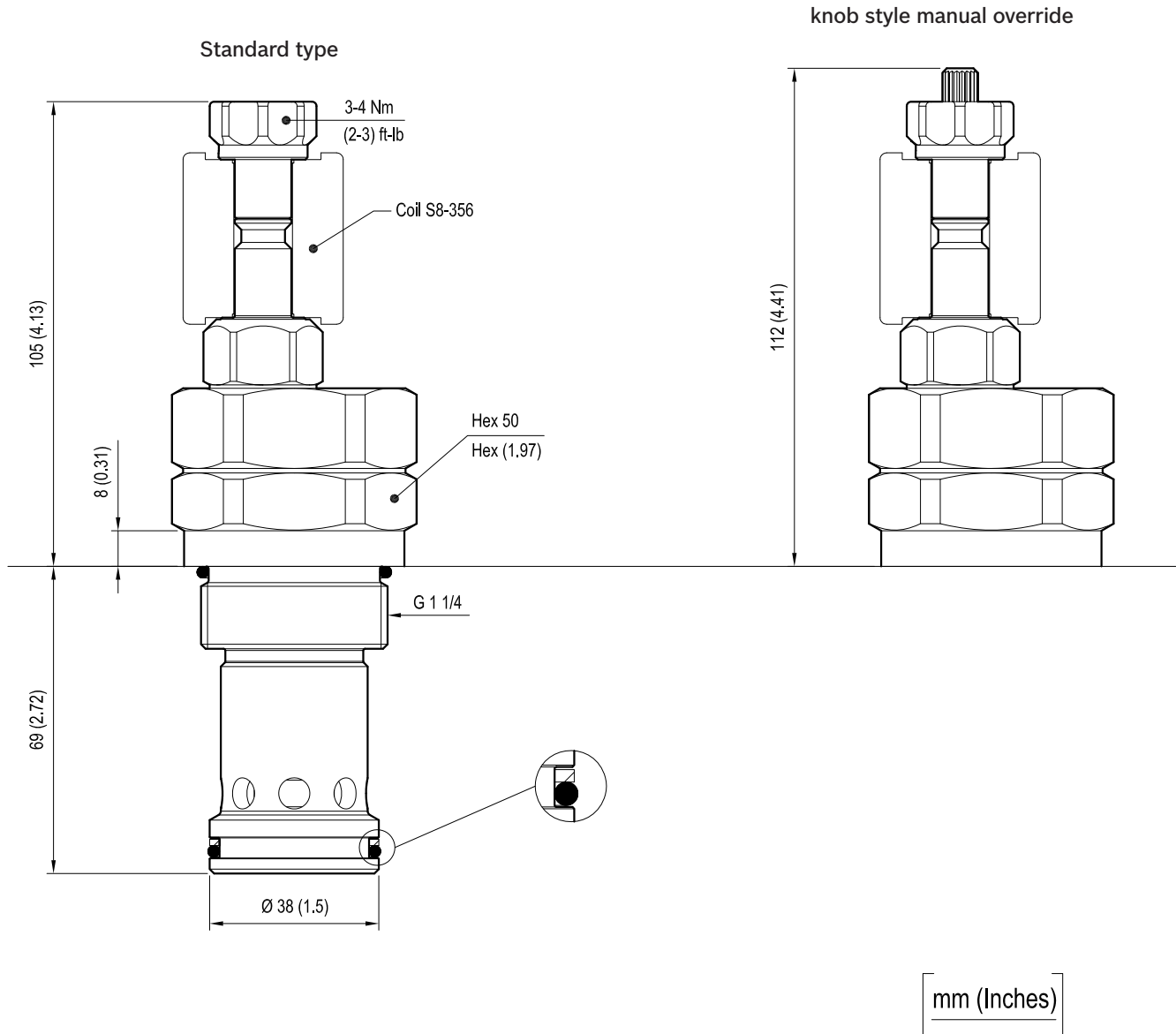
Electrical

Type of voltage		DC voltage
Coil type		S8-356 see RE 18325-90
Supply voltage		See data sheet RE 18325-90
Nominal voltage		± 10%
Power consumption	W	20
Duty cycle coil	%	100 see RE 18325-90
Type of protection		See data sheet RE 18325-90

Note: Coils must be ordered separately.

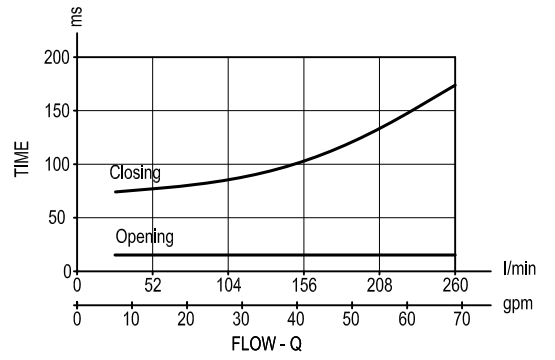
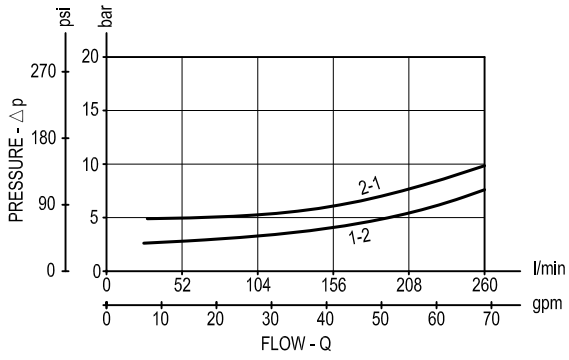
Dimensions

Solenoid operated valve, poppet 2-way normally closed - Special cavity

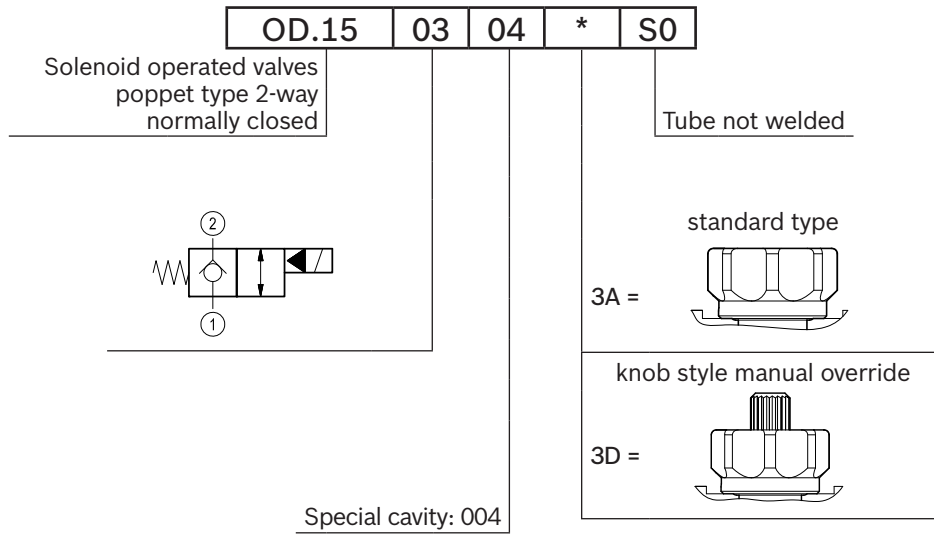


Performance graphs

Version 03



Ordering code



Type	Material number	Type	Material number
OD1503043AS000	R934000764		
OD1503043DS000	R901091110		