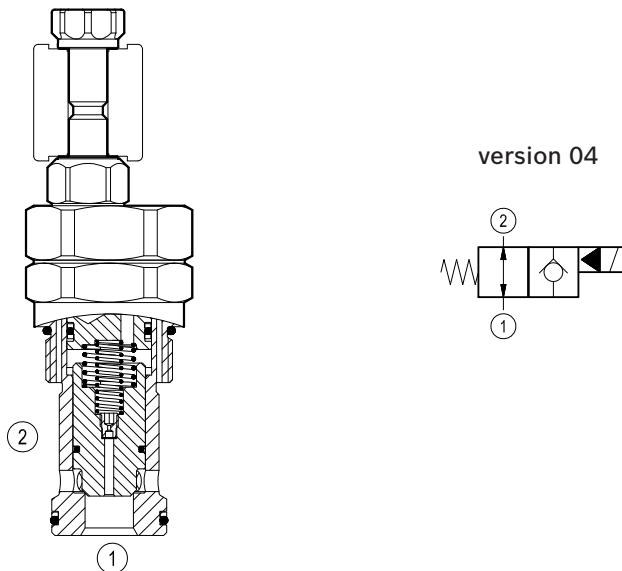


Solenoid operated valves pilot operated poppet 2-way normally open

Special cavity, 004

VEI-8A-2B-16-NA-NSS

OD.15.04.04 - Y - S0



General

Weight	kg (lbs)	1.13 (2.5)
Installation orientation		Optional
Ambient temperature range	°C (°F)	-30 to 60 (-22 to 140)

Hydraulic

Max. operating pressure	bar (psi)	350 (5000)
Max. proof pressure	bar (psi)	420 (6000)
Rated flow	l/min. (gpm)	260 (69)
Fatigue cycle life	cycles	1 million cycles at 350 bar
Max. internal leakage	drops/min.	20
Fluid temperature range	°C (°F)	-20 to 80 (-4 to 176)

Fluids Mineral-based or synthetics with lubricating properties at viscosities of 20 to 380 mm²/s (cSt)

Installation torque Nm (ft-lbs) 110-130 (81-96)

Filtration Nominal value max. 25µm (NAS 8) ISO 4406 19/17/14

Special cavity 004 see RE 18325-75

Seal kit code material no. RG0004020520100 R930001696

Seal kit coil code material no. RG12A1PNBR7010 R934003958

Other technical data See data sheet RE 18350-50

Electrical

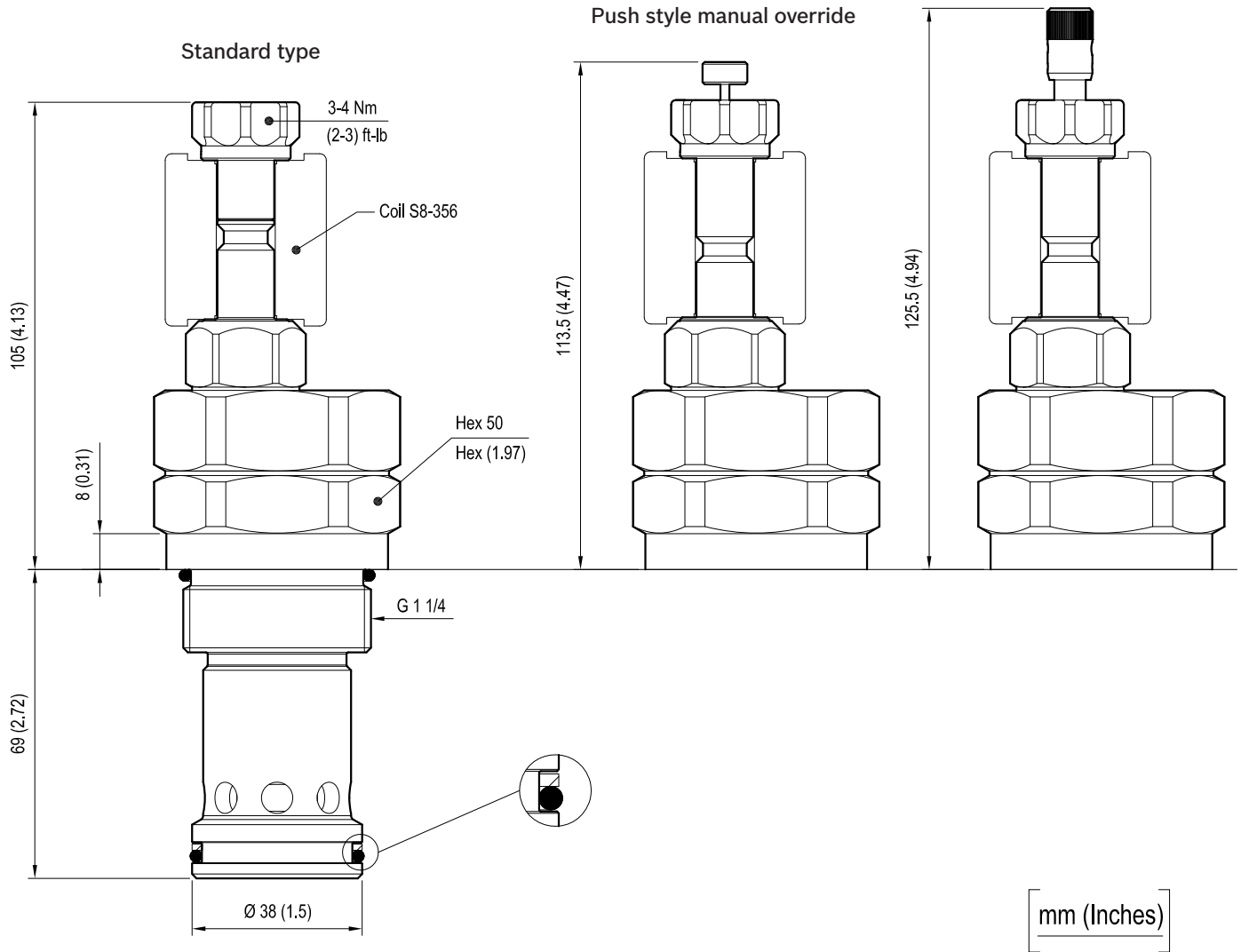
Type of voltage	DC voltage
Coil type	S8-356 see RE 18325-90
Supply voltage	See data sheet RE 18325-90
Nominal voltage	± 10%
Power consumption	W 20
Duty cycle coil	% 100 see RE 18325-90
Type of protection	See data sheet RE 18325-90

Note: Coils must be ordered separately.

Dimensions

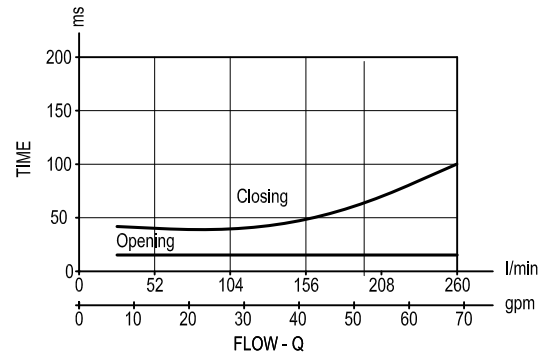
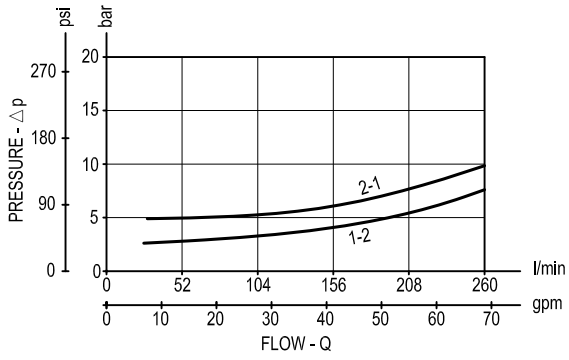
Solenoid operated valve, poppet 2-way normally open - Special cavity

Push and twist style manual override

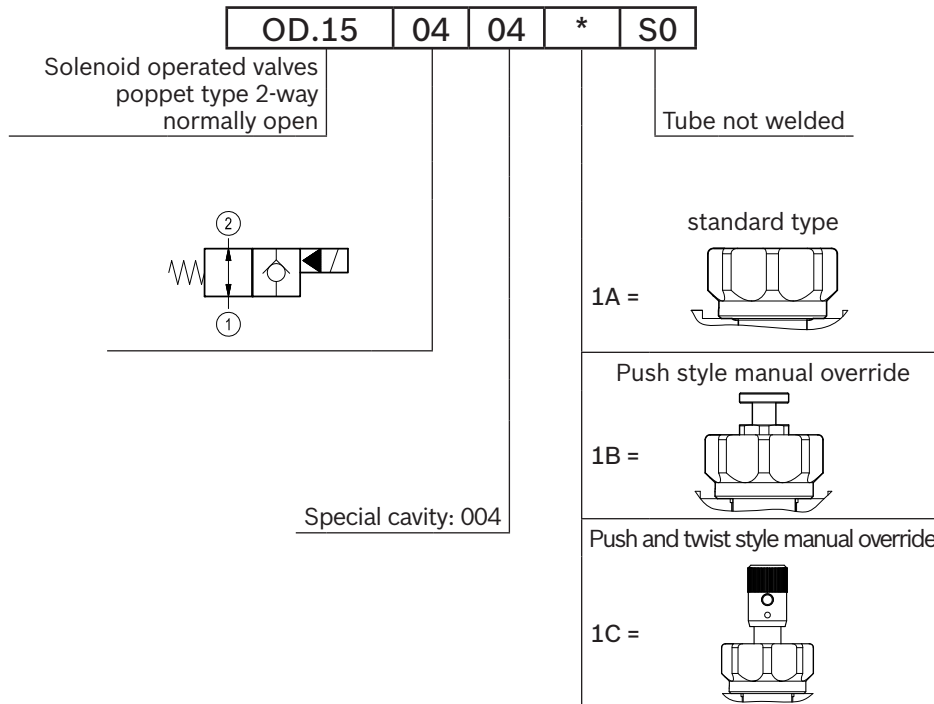


Performance graphs

Version 04



Ordering code



Type	Material number	Type	Material number
OD1504041AS000	R901091118		
OD1504041BS000	R901091119		
OD1504041CS000	R901091120		