

© Tutti i diritti sono riservati alla Bosch Rexroth AG, anche nel caso di deposito di diritti di protezione. Ogni facoltà di disposizione, come diritto di copia ed inoltre, rimane a noi.
 This document, as well as the data, specifications and other information set forth in it, are the exclusive property of Bosch Rexroth AG. It may not be reproduced or given to third parties without its consent.

GENERAL:
 Weight 0.15 kg
 Installation orientation: Unrestricted
 Operating ambient temperature range: -30 to 90 °C (-22 to 194 °F)

HYDRAULIC:
 Max. operating pressure: 350 bar
 Flow range: 0.5 - 40 l/min
 Fatigue cycle life: 2 million cycles at 350 bar
 150000 cycles at 420 bar
 Max. internal leakage: 5 drops/min.
 Installation torque: 39 - 51 Nm

Switching time:
 Opening ≤ 30 ms
 Closing ≤ 100 ms

Fluid temperature range: -20 to 80 °C (-4 to 176 °F)

Fluids: Mineral-based or synthetics with lubricating properties at viscosities of 20 to 380 mm²/s (cSt)

Recommended degree of fluid contamination:
 Nominal value max. 10 µm (NAS 8) ISO 4406 19/17/14

Special cavity CA-08A-2N see 18325-70

NBR Seal kit: RG08A2010520100 - R901101437

Seal kit coil and standard cap : RG03Z0010000100 -R930067870

Other technical data: See data sheet 18350-50

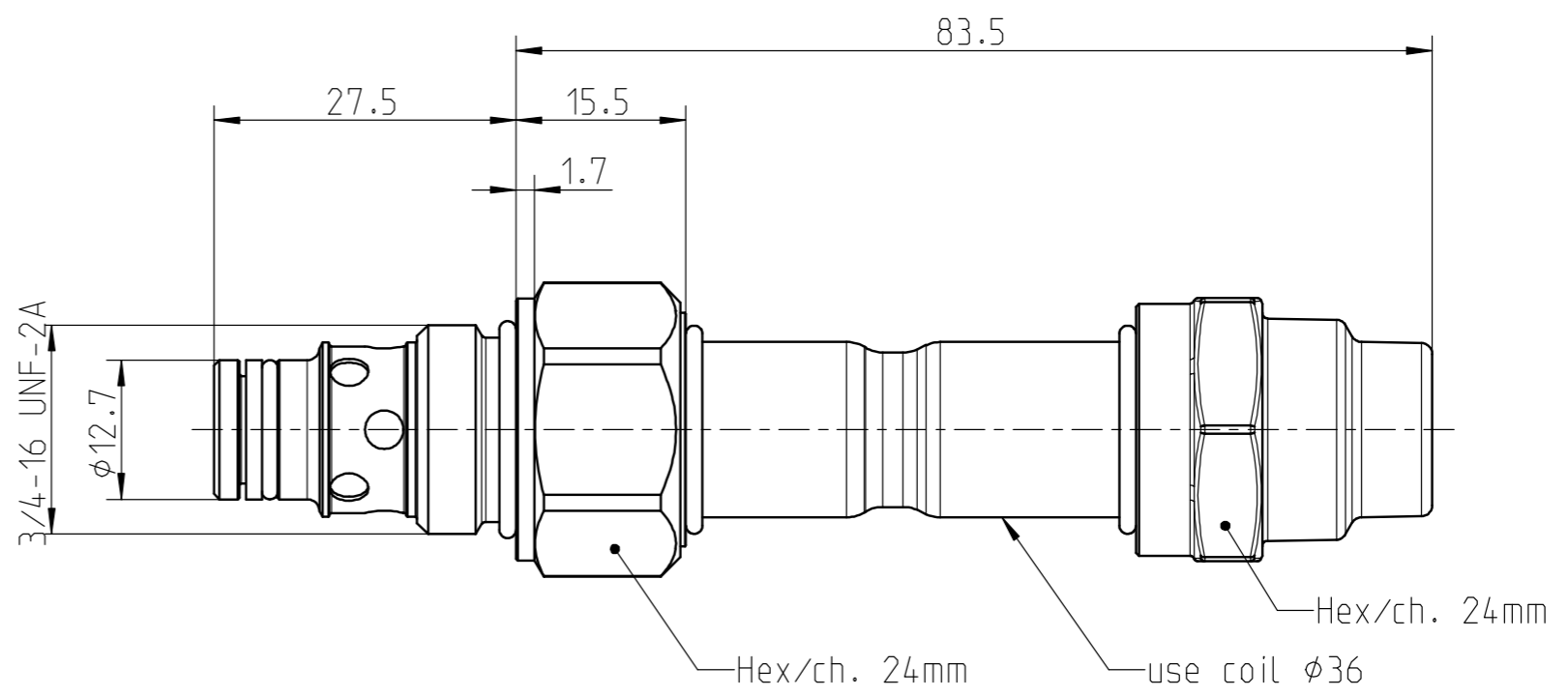
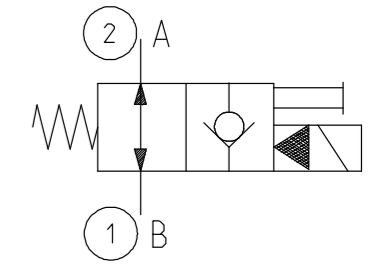
ELECTRICAL:

Type of voltage: DC voltage
 Coil type: D36
 Supply voltage: See data sheet 18325-90

Voltage tolerance against ambient temperature:
 See characteristic curve on 18323-34

Power consumption: 20 W
 Type of protection: See data sheet 18325-90

Note: Coils must be ordered separately



AA --		20190904	cma3cob	CMA3COB	MAK2NNT	IT21	DC-CH/ENG111	historical document no. / no. doc. storico	OD150618GP00000
Ind. Change/Mod.		YYYYMMDD	Drawn/Dis.	Checked/Contr.	Released/Releas.	Appr. BWN	Resp. dept./Ente resp.	Add. info./Info. aggiuntice	
Lang./L.in.	Wght./Peso	Scale/Scala		Doc. type		DP/SD	Ind.	Format	
EN/IT	180,000 g	3:2		DBL		001	AA	A3	
MNR R930069143		Mat.meets/Mat.ved. N2580-1		Syst. PE		Repl. for		Repl. by	
RA80137366		RA80137366		RA80137366		RA80137366		RA80137366	

RA80137366 / OD150618GP00000_1 / AA.0 / R930069143.LIB / PART / AA.0