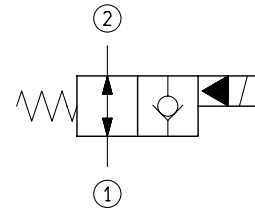
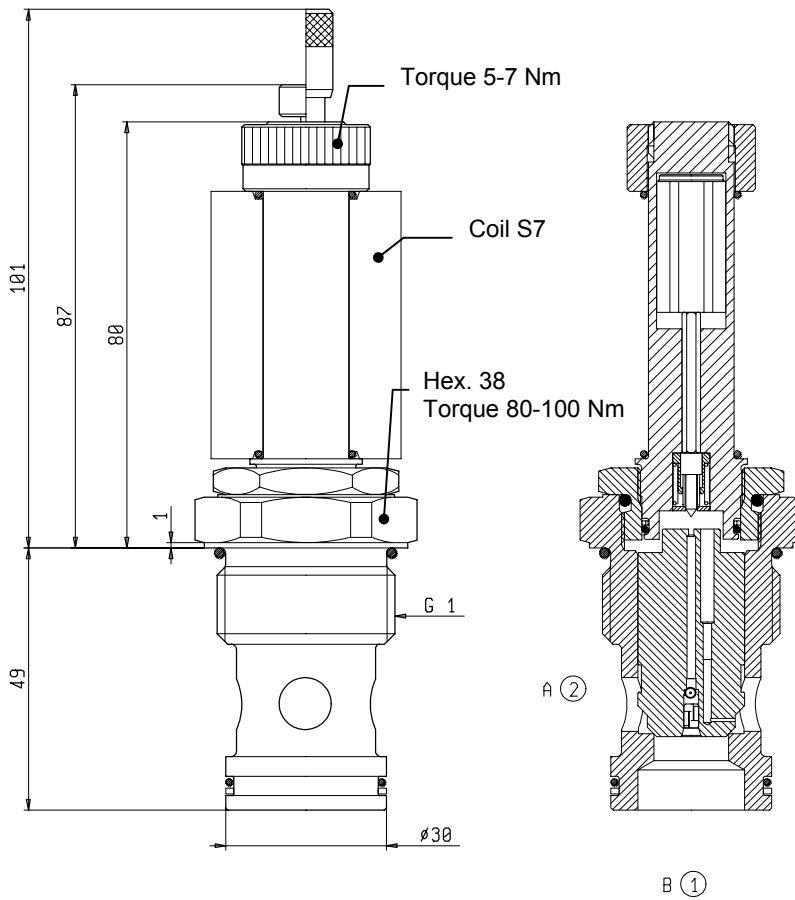


**SOLENOID OPERATED VALVES  
POPPET 2-WAY NORMALLY OPEN  
CARTRIDGE STYLE**



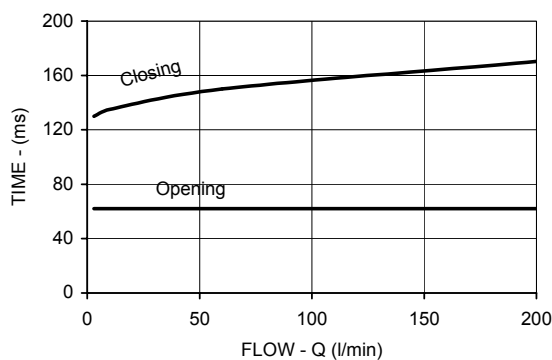
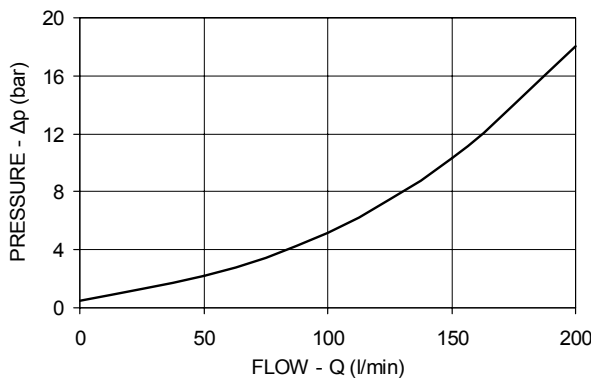
**VEI-7A-2A-14-NA-S**

**OD.15.06.21 - Y - 00**



**TECHNICAL DATA**

Maximum Operating Pressure	350	bar
Rated Flow	200	l/min
Cavity - Tooling (021-E)	page 7.01.110	
Weight	0.400	kg
Fluids - Temperatures	page 7.01.040	
Testing Conditions - Seals	page 7.01.040	
Internal Leakage	page 7.01.040	
Filtration : 25 µm nominal or better	page 7.01.050	
Minimum Voltage Required	90% of nominal	
Coils must be ordered separately	page 1.71.070	
Mounting Position	unrestricted	



**Y ORDERING OPTIONS**

<b>54</b>	Standard	
<b>55</b>	Push Style Manual Override	
<b>56</b>	Push and Twist Style Manual Override	