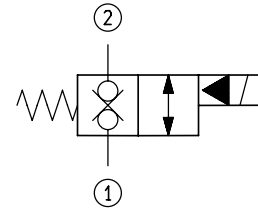
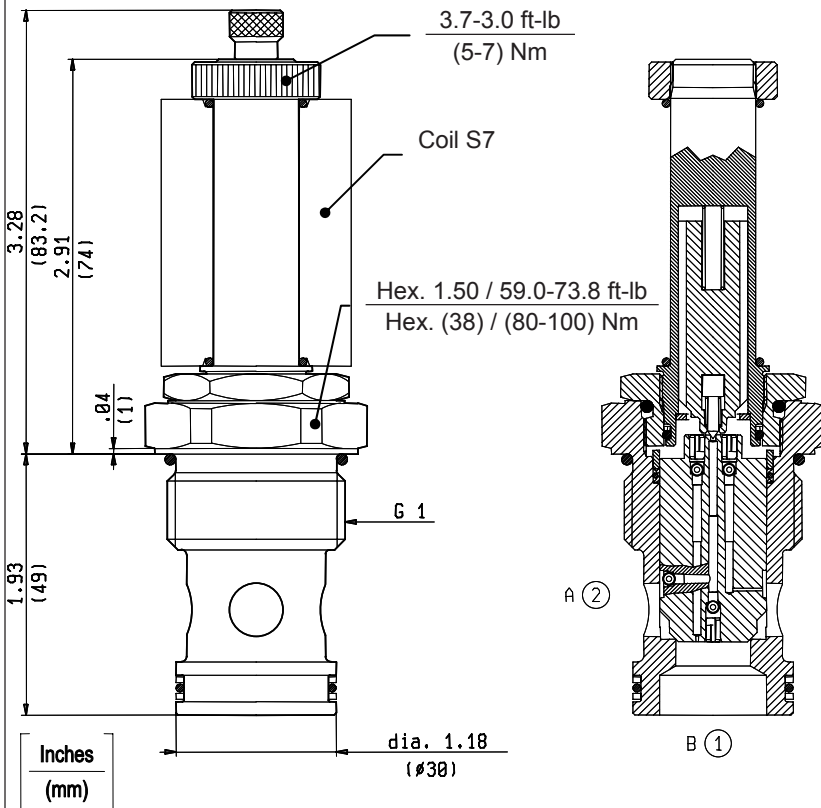


**SOLENOID OPERATED VALVES  
 POPPET 2-WAY DOUBLE LOCK NORMALLY CLOSED  
 SPECIAL CAVITY**

**VEI-7A-2T-14-NC-S**

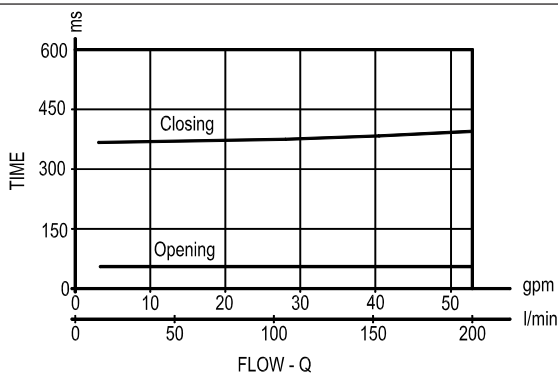
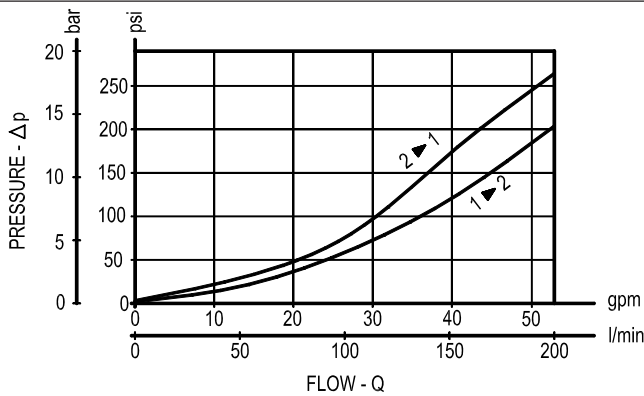
**021-E**

**OD.15.31.21 - Y - 00**



**TECHNICAL DATA**

Maximum Operating Pressure	5000 psi (350 bar)
Rated Flow	52 gpm (200 l/min)
Cavity - Tooling (021-E)	page CT.S.006.U
Line bodies	page MN2.S...
Weight	0.882 lbs (0.400 kg)
Fluids - Temperatures	page 7.01.040
Testing Conditions - Seals	page 7.01.040
Internal Leakage	page 7.01.040
Filtration : 25 µm nominal or better	page 7.01.050
Minimum Voltage Required	90% of nominal
<b>Coils must be ordered separately</b>	<b>page 1.71.070</b>
Mounting Position	unrestricted



**Y ORDERING OPTIONS**

**75** Standard



**76** Knob Style Manual Override

