

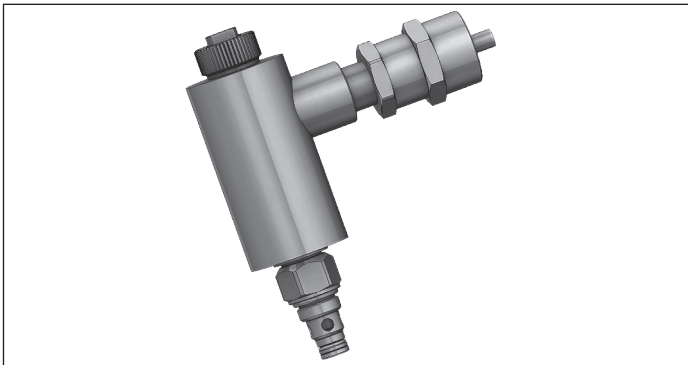
# Solenoid operated valves poppet 2-way with explosion-proof solenoid

VEI-EX SERIES

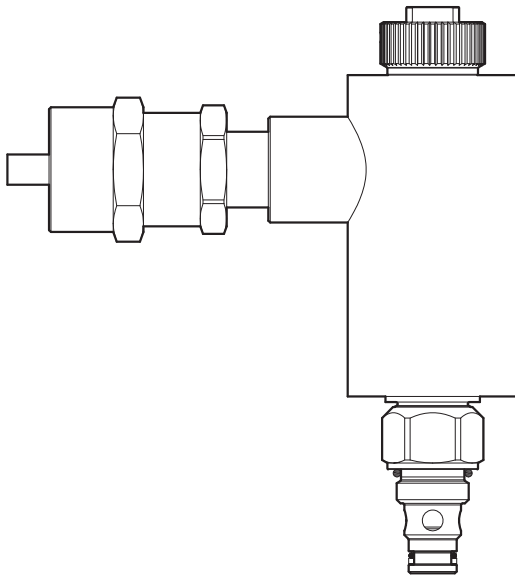
OD.15 - K - X - Y - Z

**RE 18323-36**

Edition: 09.2017



**PATENT PENDING**



K	Y= 96 Normally open	Y= 98 Normally closed
05	/	
06		/
31	/	
32		/

**Description**

Explosion-proof solenoid can be fitted onto all 2-way pilot operated cartridges size 08.

**Technical data**

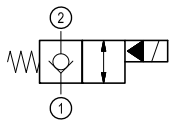
General	
Explosion-proof protection:	
- EEx d IIC T6 according to CENELEC EN 50014 and EN 50018.	
- Ex II 2 G according to ATEX 94/9/CE.	
Electrical construction approved and certified by CESI with conformity certificate CESI 03 ATEX 212.	
Protection: IP 67 DIN 40050	
Working duty: ED 100% DIN VDE 0580	
Weight of the complete solenoid: 1kg (2.2 lbs)	
Solenoid are supplied with 3-wire cable with siliconrubber protective covering and threaded connector. Cable length 1.5 m (59.6 inches) - Wire section area 1.5 mm <sup>2</sup> (0.06 inches <sup>2</sup> ). Electrical connection to the coil has to be made according to relevant CENELEC and ATEX ex-proof specifications.	
Earth connection: it has to be made through an internal or external earth-connection screw using a cable with minimum section area of 1.5 mm <sup>2</sup> (0.06 inches <sup>2</sup> ).	
Coil retaining nut is an essential part of the explosion-proof construction and has to be tightened and locked through the threaded plug.	
Label on coil indicates nominal voltage, explosion-proof protection class, certification number by CESI and maximum power consumption.	
Fluid temperature range	-20 to 40 °C (-4 to 104 °F)
Different voltages are available on request.	
Inlet voltage fluctuations must not exceed ± 10% of nominal voltage to obtain correct operation and long life of coils.	
Coils cannot be ordered separately from the valves.	
<b>IMPORTANT:</b> All products shown in this page are not available from stock and not included in our standard price list. Please contact our sales department for any information.	
Other technical data	See data sheet 18350-50

**Ordering code**

<b>OD.15</b>	<b>K</b>	<b>X</b>	<b>Y</b>	<b>Z</b>	<b>00</b>
--------------	----------	----------	----------	----------	-----------

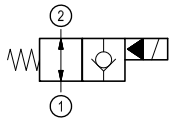
Solenoid operated valves  
poppet 2-way with explosion-proof  
solenoid

bidirectional type



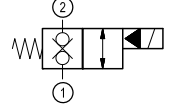
**05**

bidirectional type



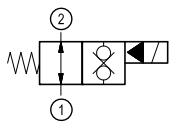
**06**

bidirectional type



**31**

bidirectional type



**32**

	Voltage V	Resistance Ω	Power W	Current A		ΔT °C
	Nominal	Ta=20-25°C	Cold coil	Cold coil	Hot coil	1h energized Ta=20-25°C Nominal voltage
<b>OB</b>	12 DC	17.4	7	0.67	0.53	77
<b>OC</b>	24 DC	72	7	0.33	0.23	60

**96** = Normally open for **K = 06, 32**  
**98** = Normally closed for **K = 05, 31**

**17** = Cavity 017-E Reference flow: 70 l/min. (18 gpm)  
**18** = Cavity 018-E Reference flow: 40 l/min. (11 gpm)  
**21** = Cavity 021-E Reference flow: 150 l/min. (40 gpm)

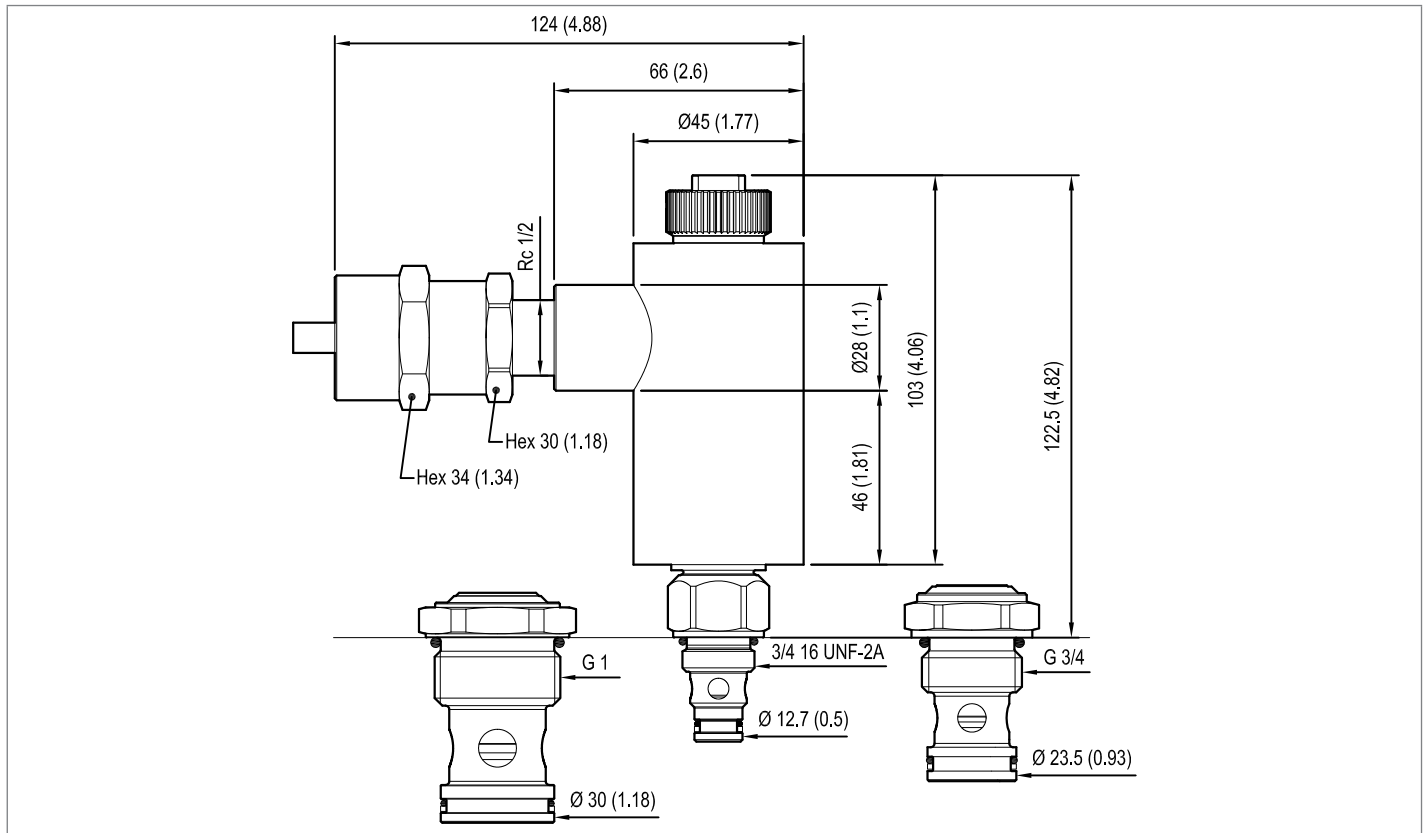
Please consult factory for request of additional technical data

**Preferred types**

Type	Material number
OD15051798OC00	R934000849
OD15051898OC00	R934000890
OD15052198OC00	R934000917
OD15061796OC00	R930000958
OD15061896OC00	R934000985
OD15062196OC00	R934001002
OD15311798OC00	R934001122

Type	Material number
OD15311898OC00	R934001142
OD15312198OC00	R934001156
OD15321796OC00	R934001191
OD15321896OC00	R934001204



**Dimensions****Solenoid operated valves****poppet 2-way with explosion-proof solenoid****Bosch Rexroth Oil Control S.p.A.**

Via Leonardo da Vinci 5  
P.O. Box no. 5  
41015 Nonantola – Modena, Italy  
Tel. +39 059 887 611  
Fax +39 059 547 848  
compact-hydraulics-cv@boschrexroth.com  
www.boschrexroth.com/compacthydraulics

© This document, as well as the data, specifications and other information set forth in it, are the exclusive property of Bosch Rexroth Oil Control S.p.a.. It may not be reproduced or given to third parties without its consent. The data specified above only serve to describe the product. No statements concerning a certain condition or suitability for a certain application can be derived from our information. The information given does not release the user from the obligation of own judgment and verification. It must be remembered that our products are subject to a natural process of wear and aging. Subject to change.