

Solenoid operated valves pilot operated poppet type
2-way normally open
Special cavity, 017-E

VEI-8A-09-NA

OD.15 - X - 17 - Y - S0

RE 18323-07

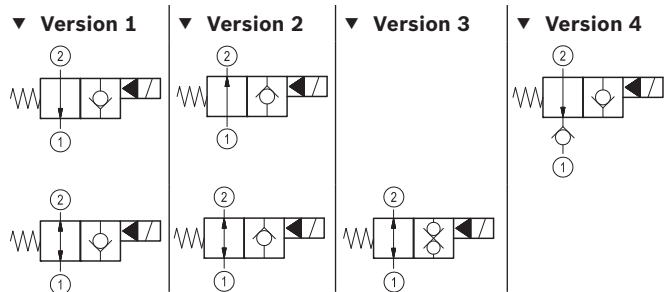
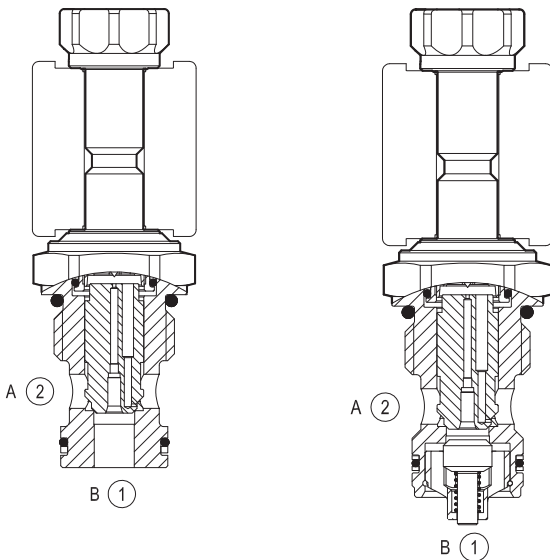
Edition: 01.2016

Replaces: 03.2015

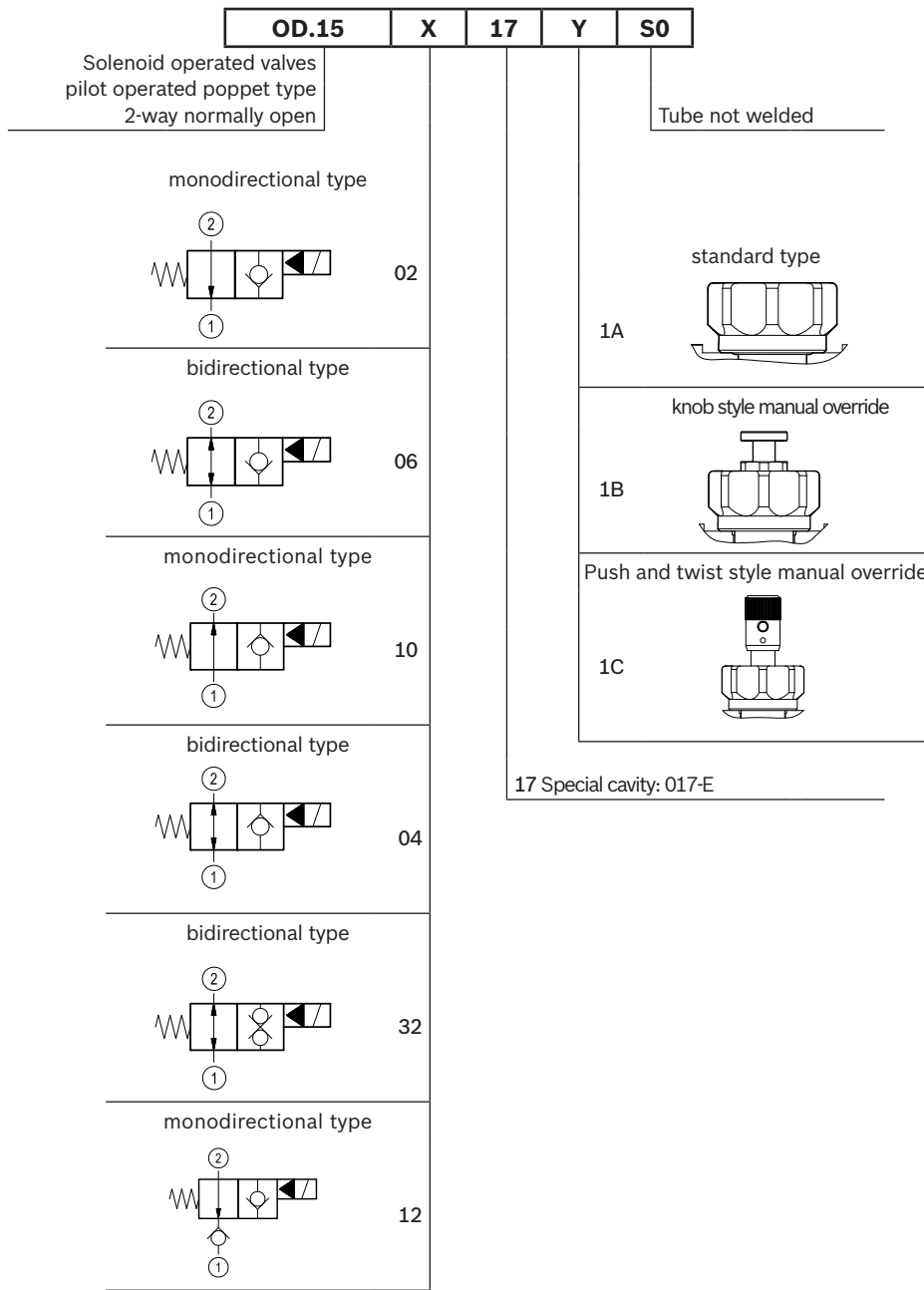


Technical data

| General | |
|--|---|
| Weight | 0.21 kg (0.46 lbs) |
| Installation orientation | Optional |
| Ambient temperature range | -30 to 60 °C (-22 to 140 °F) |
| Hydraulic | |
| Max. operating pressure | 350 bar (5000 psi) |
| Max. proof pressure | 420 bar (6000 psi) |
| Flow range | 2 - 70 l/min (0.5 - 18 gpm) |
| Fatigue cycle life | 1 million cycles at 350 bar |
| Max. internal leakage | 20 drops/min. |
| Fluid temperature range | -20 to 80 °C (-4 to 176 °F) |
| Fluids: Mineral-based or synthetics with lubricating properties at viscosities of 20 to 380 mm ² /s (cSt) | |
| Installation torque | 54 - 66 Nm (40 - 49 ft-lbs) |
| Recommended degree of fluid contamination | Nominal value max. 10 µm (NAS 8) ISO 4406 19/17/14 |
| MTTFd | 150 years see RE 18350-51 except for codes market with * |
| Special cavity | 017-E see 18325-75 |
| Lines bodies and standard assemblies | Please refer to section "Hydraulic integrated circuit" or consult factory |
| Seal kit – version 1 | code material no. RG17E201052010 R934003562 |
| Seal kit – version 2-3-4 | code material no. RG17E201053010 R934003563 |
| Seal kit coil | code material no. RG12A1PNBR7010 R934003958 |
| Other technical data | See data sheet 18350-50 |
| Electrical | |
| Type of voltage | DC voltage |
| Coil type | S8-356 see 18325-90 |
| Supply voltage | See data sheet 18325-90 |
| Nominal voltage | ± 10% |
| Power consumption | 20 W |
| Duty cycle coil | See characteristic curves % |
| Type of protection | See data sheet 18325-90 |
| Note: Coils must be ordered separately | |



Ordering code



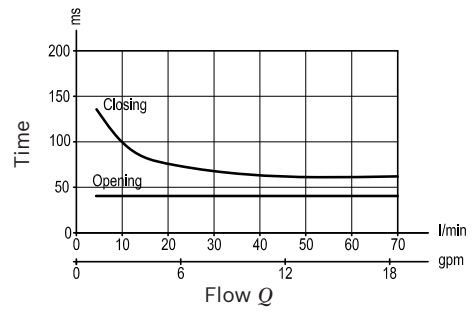
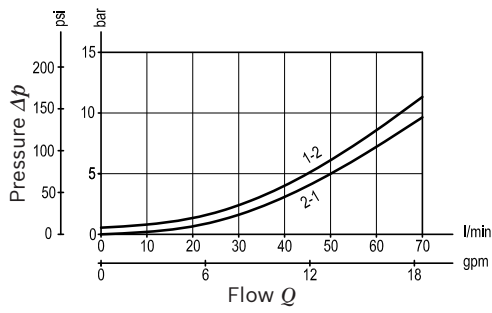
| Type | Material number |
|----------------|-----------------|
| OD1502171AS000 | R934000718 |
| OD1502171BS000 | R934000721 |
| OD1502171CS000 | R901177370 |
| OD1506171AS000 | R901113677 |
| OD1506171BS000 | R901113680 |
| OD1506171CS000 | R934000956 |
| OD1504171AS000 | R901113668 |
| OD1504171BS000 | R901113669 |

| Type | Material number |
|----------------|-----------------|
| OD1504171CS000 | R934000809 |
| OD1510171AS000 | R934001051 |
| OD1510171BS000 | R934004148 |
| OD1510171CS000 | R934001052 |
| OD1512171AS000 | R934001090 * |
| OD1532171AS000 | R901113683 |
| OD1532171BS000 | R901113684 |
| OD1532171CS000 | R934001189 |

Characteristic curves

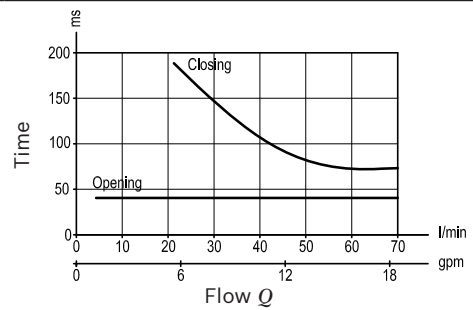
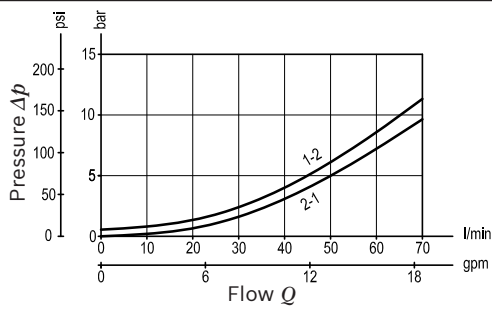
Version 1-2

Standard



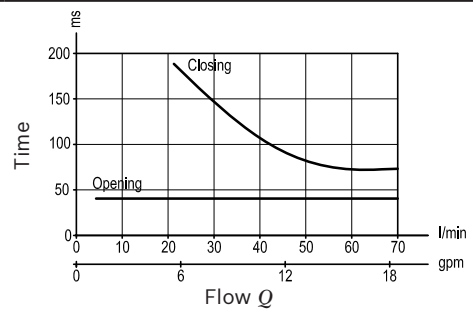
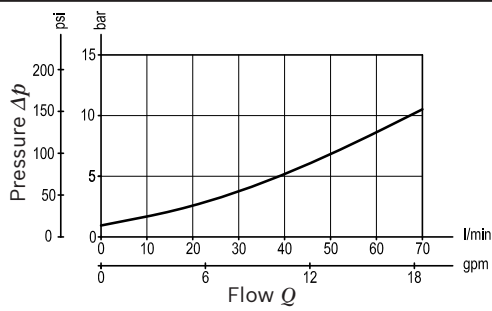
Version 3

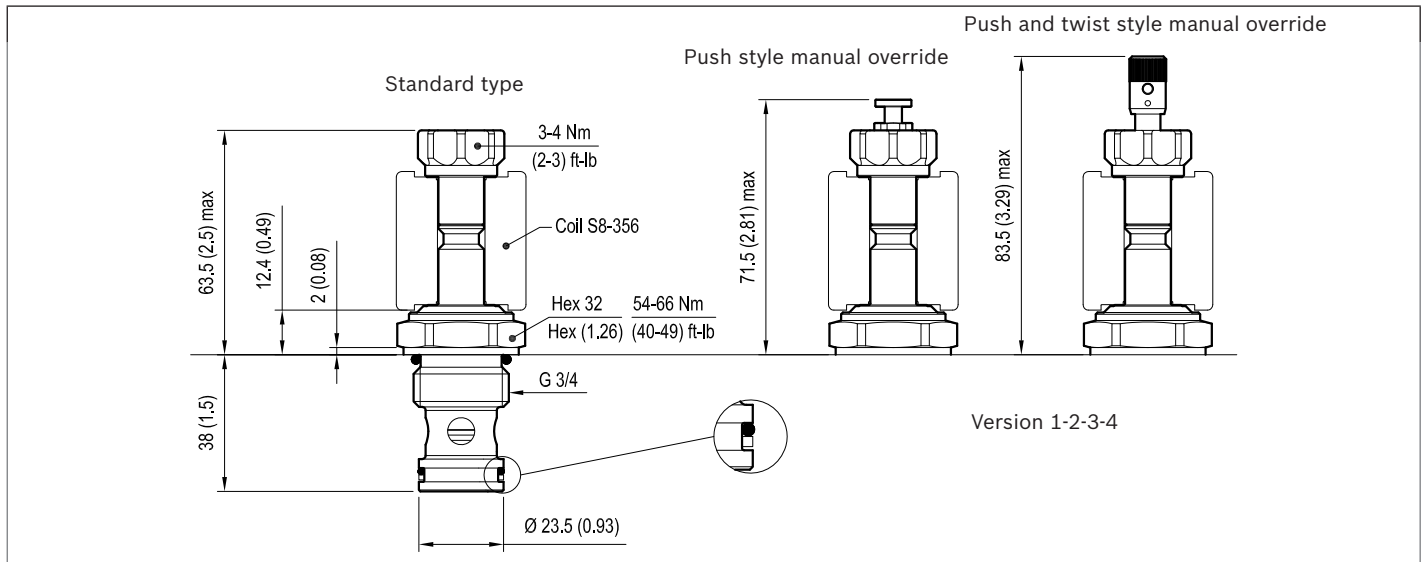
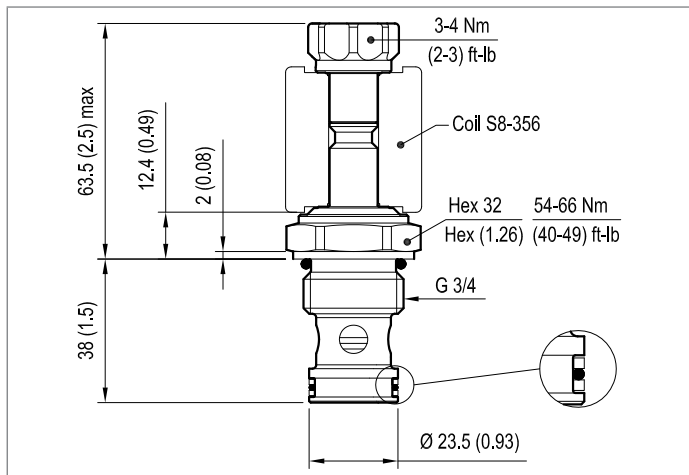
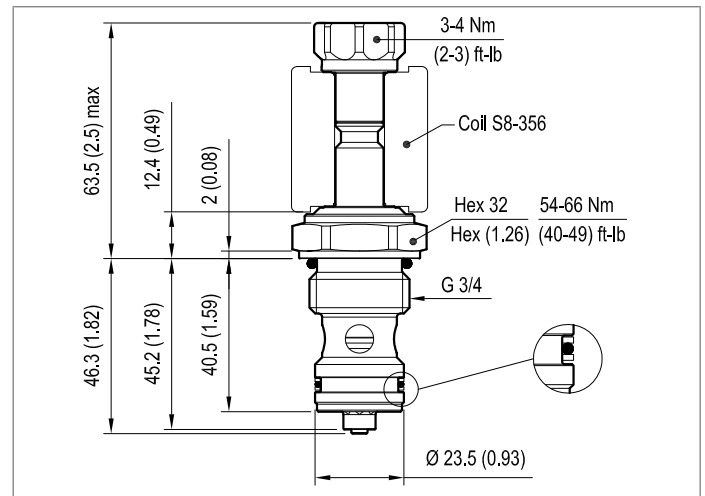
Standard



Version 4

Standard



Dimensions▼ **Version 1: Solenoid operated valves, poppet 2-way normally open**▼ **Version 2: Solenoid operated valves, poppet 2-way normally open**▼ **Version 3: Solenoid operated valves, poppet 2-way double lock normally open**▼ **Version 4: Solenoid operated valves, poppet 2-way normally open****Bosch Rexroth Oil Control S.p.A.**

Via Leonardo da Vinci 5
P.O. Box no. 5
41015 Nonantola – Modena, Italy
Tel. +39 059 887 611
Fax +39 059 547 848
compact-hydraulics-cv@boschrexroth.com
www.boschrexroth.com/compacthydraulics

© This document, as well as the data, specifications and other information set forth in it, are the exclusive property of Bosch Rexroth Oil Control S.p.a.. It may not be reproduced or given to third parties without its consent. The data specified above only serve to describe the product. No statements concerning a certain condition or suitability for a certain application can be derived from our information. The information given does not release the user from the obligation of own judgment and verification. It must be remembered that our products are subject to a natural process of wear and aging. Subject to change.