

RE 18323-03/01.10
Replaces: 01.06

1/4

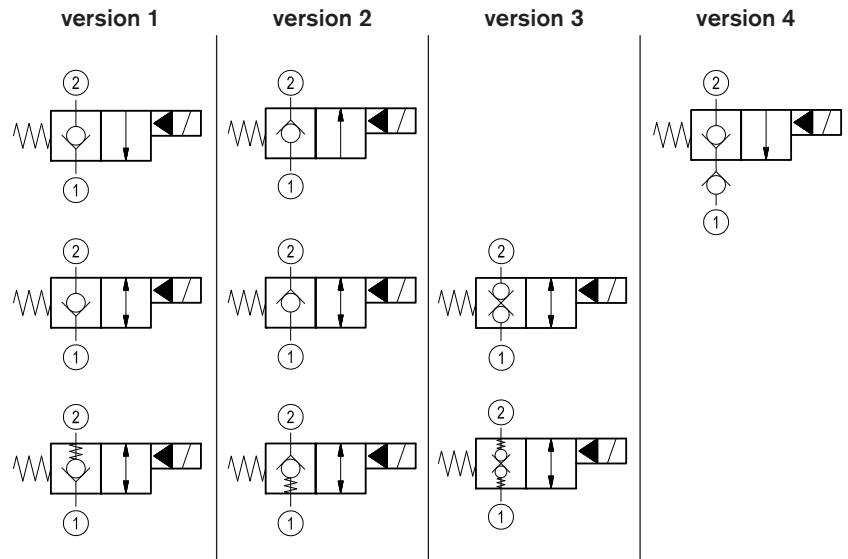
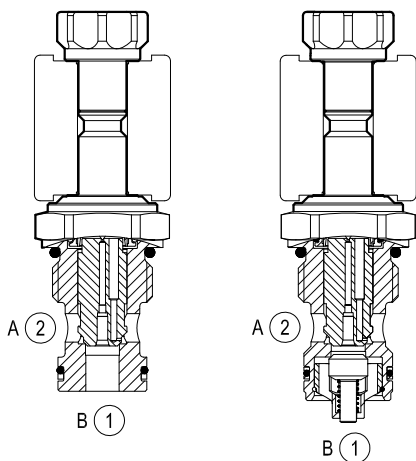
Solenoid operated valves pilot operated poppet type 2-way normally closed

Special cavity, 017-E



VEI-8A-09-NC

OD15 - X - 17 - Y - Z



General

| | | |
|---------------------------|----------|------------------------|
| Weight | kg (lbs) | 0.24 (0.53) |
| Installation orientation | | Optional |
| Ambient temperature range | °C (°F) | -30 to 60 (-22 to 140) |

Hydraulic

| | | |
|--------------------------|----------------------|--|
| Max. operating pressure | bar (psi) | 350 (5000) |
| Flow range | l/min. (gpm) | 2-70 (0.5-18) |
| Max. internal leakage | drops/min. | 20 |
| Fluid temperature range | °C (°F) | -20 to 80 (-4 to 176) |
| Fluids | | Mineral-based or synthetics with lubricating properties at viscosities of 20 to 380 mm ² /s (cSt) |
| Installation torque | Nm (ft-lbs) | 54-66 (40-49) |
| Filtration | | Nominal value max. 10µm (NAS 8) ISO 4406 19/17/14 |
| Cavity | | 017-E see RE 18325-75 |
| Line bodies | | See data sheet RE 18325-85 |
| Seal kit - version 1 | code material no. | RG17E201052010 R934003562 |
| Seal kit - version 2-3-4 | code material no. | RG17E201053010 R934003563 |
| Seal kit coil | code material no. | RG12A1PNBR7000 R934003591 |
| Other technical data | | See data sheet RE 18350-50 |

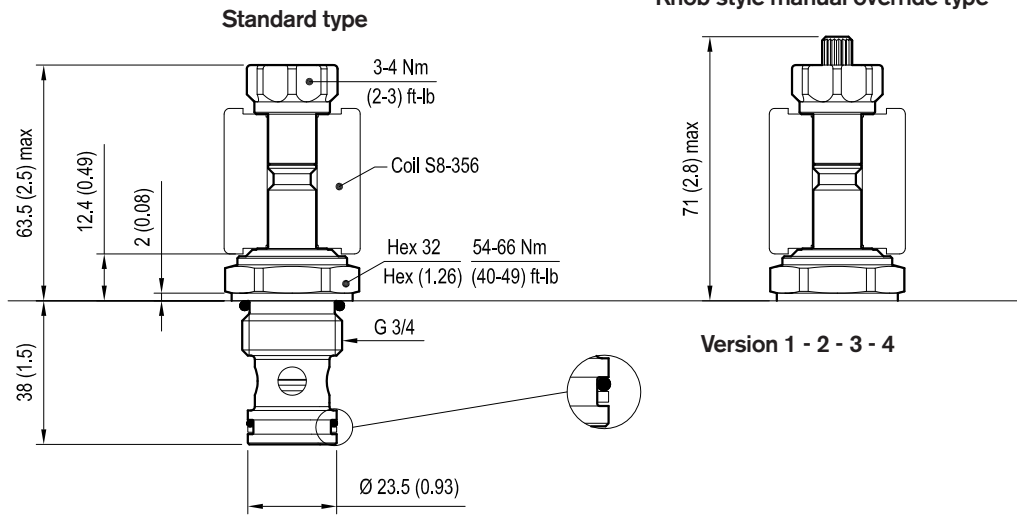
Electrical

| | |
|--------------------|----------------------------|
| Type of voltage | DC voltage |
| Coil type | S8-356 see RE 18325-90 |
| Supply voltage | See data sheet RE 18325-90 |
| Nominal voltage | ± 10% |
| Power consumption | W 20 |
| Duty cycle coil | % See performance graphs |
| Type of protection | See data sheet RE 18325-90 |

Note: Coils must be ordered separately.

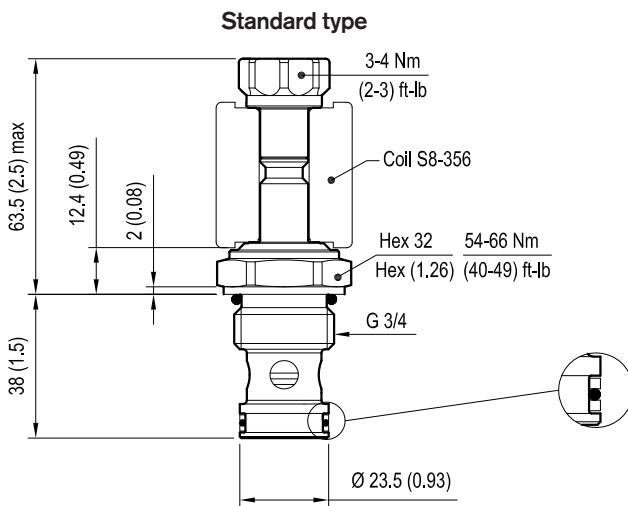
Dimensions

Version 1: Solenoid operated valve, poppet 2-way normally closed

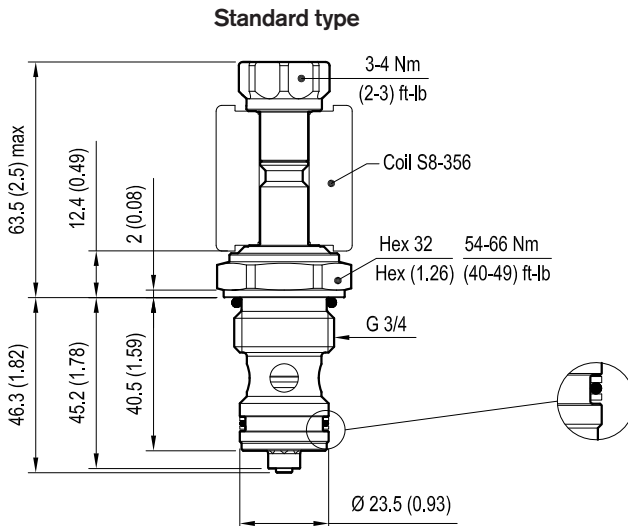


Version 2: Solenoid operated valve, poppet 2-way normally closed

Version 3: Solenoid operated valve, poppet 2-way double lock normally closed



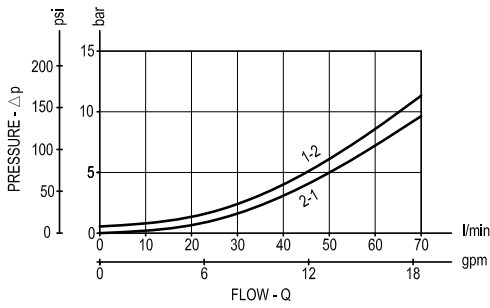
Version 4: Solenoid operated valve, poppet 2-way normally closed



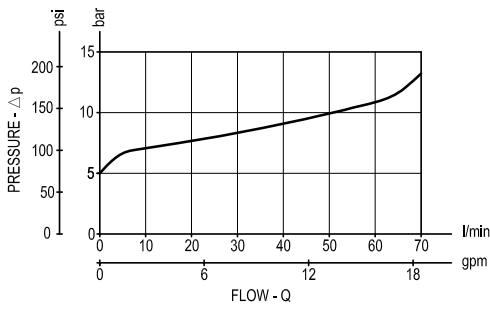
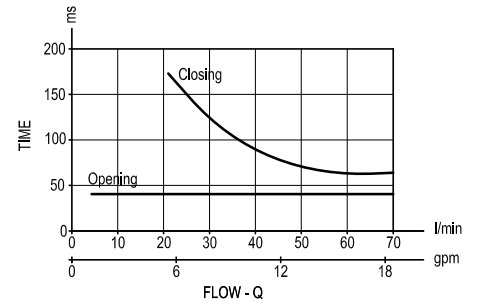
mm (Inches)

Performance graphs

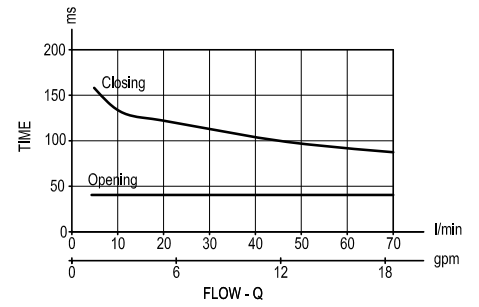
Version 1 - Version 2



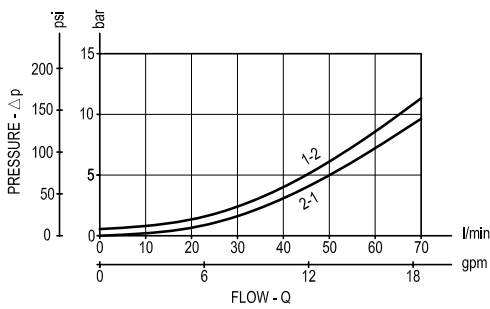
Standard



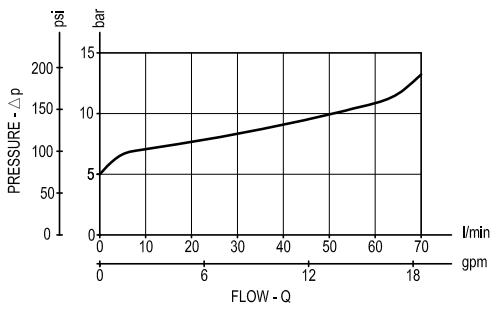
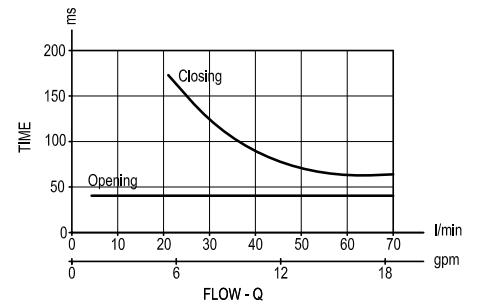
Extra spring



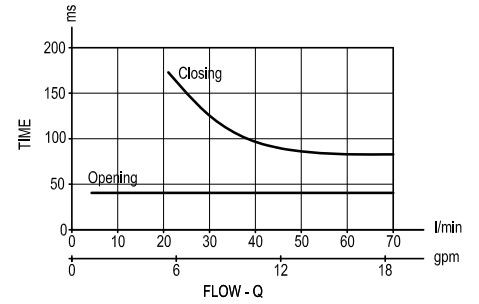
Version 3



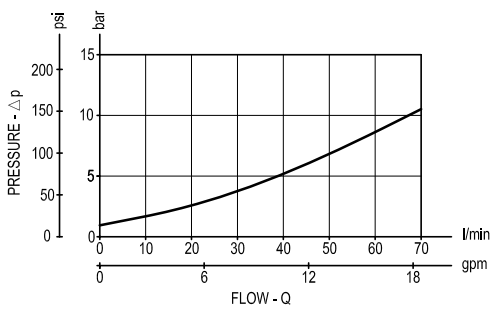
Standard



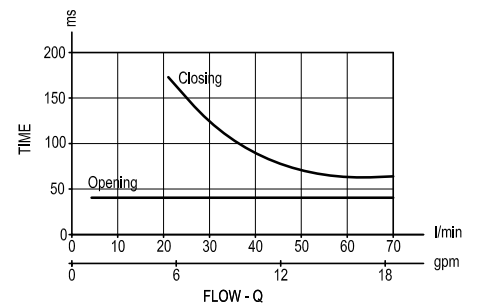
extra spring



Version 4



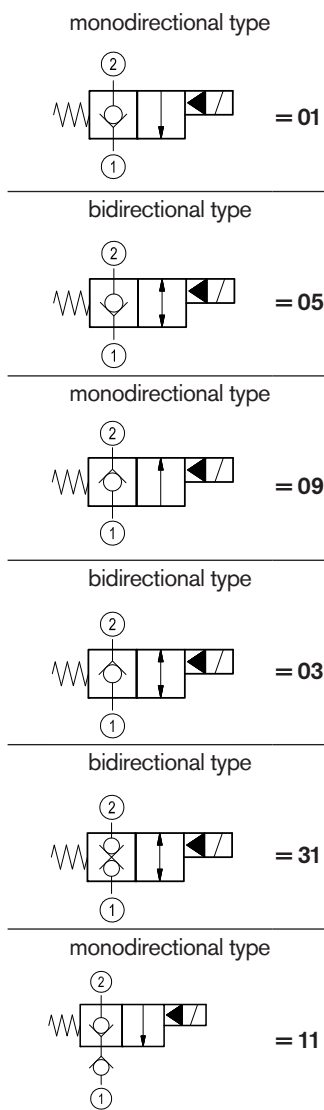
Standard



Ordering code

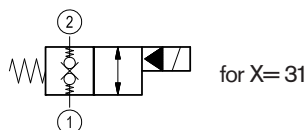
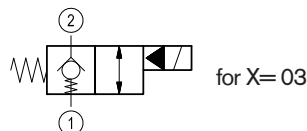
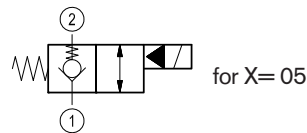
| | | | | |
|-------|---|----|---|---|
| OD.15 | * | 17 | * | * |
|-------|---|----|---|---|

Solenoid operated valves
poppet type 2-way normally
closed



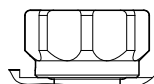
S0 = Tube not welded

S8 = Tube not welded with extra spring



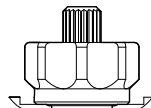
standard type

3A =



knob style manual override

3D =



Special cavity: 017-E

| Type | Material number |
|----------------|-----------------|
| OD1501173AS000 | R901176045 |
| OD1501173DS000 | R934000679 |
| OD1503173AS000 | R901113664 |
| OD1503173AS800 | R934000773 |
| OD1503173DS000 | R901180257 |
| OD1503173DS800 | R934003061 |
| OD1505173AS000 | R901113673 |
| OD1505173AS800 | R901119220 |
| OD1505173DS000 | R901125249 |

| Type | Material number |
|----------------|-----------------|
| OD1505173DS800 | R934000846 |
| OD1509173AS000 | R934001038 |
| OD1509173DS000 | R934001039 |
| OD1511173AS000 | R934001072 |
| OD1511173DS000 | R934001075 |
| OD1531173AS000 | R901113682 |
| OD1531173AS800 | R934001116 |
| OD1531173DS000 | R934001120 |
| OD1531173DS800 | R934003111 |