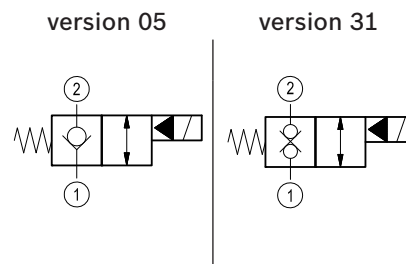
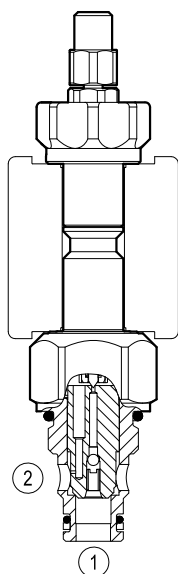


## Solenoid operated valves pilot operated poppet 2-way normally closed

Common cavity, Size 08

VEI-8A-06-NC-ET

OD.15 - X - 18.3C - Z



### General

Weight	kg (lbs)	0.13 (0.29)
Installation orientation		Optional
Ambient temperature range	°C (°F)	-30 to 60 (-22 to 140)

### Hydraulic

Max. operating pressure	bar (psi)	350 (5000)
Rated flow	l/min. (gpm)	40 (11)
Max. internal leakage	drops/min.	20
Fluid temperature range	°C (°F)	-20 to 80 (-4 to 176)
Fluids		Mineral-based or synthetics with lubricating properties at viscosities of 20 to 380 mm <sup>2</sup> /s (cSt)
Installation torque	Nm (ft-lbs)	39-51 (29-38)
Filtration		Nominal value max. 25µm (NAS 8) ISO 4406 19/17/14
MTTFd		150 years see RE18350-51
Cavity		CA-08A-2N see RE 18325-70
Seal kit - version 05	code material no.	RG08A2010520100 R901101437
Seal kit - version 31	code material no.	RG08A2010530100 R901101544
Seal kit coil	code material no.	RG12A1PNBR7010 R934003958
Other technical data		See data sheet RE 18350-50

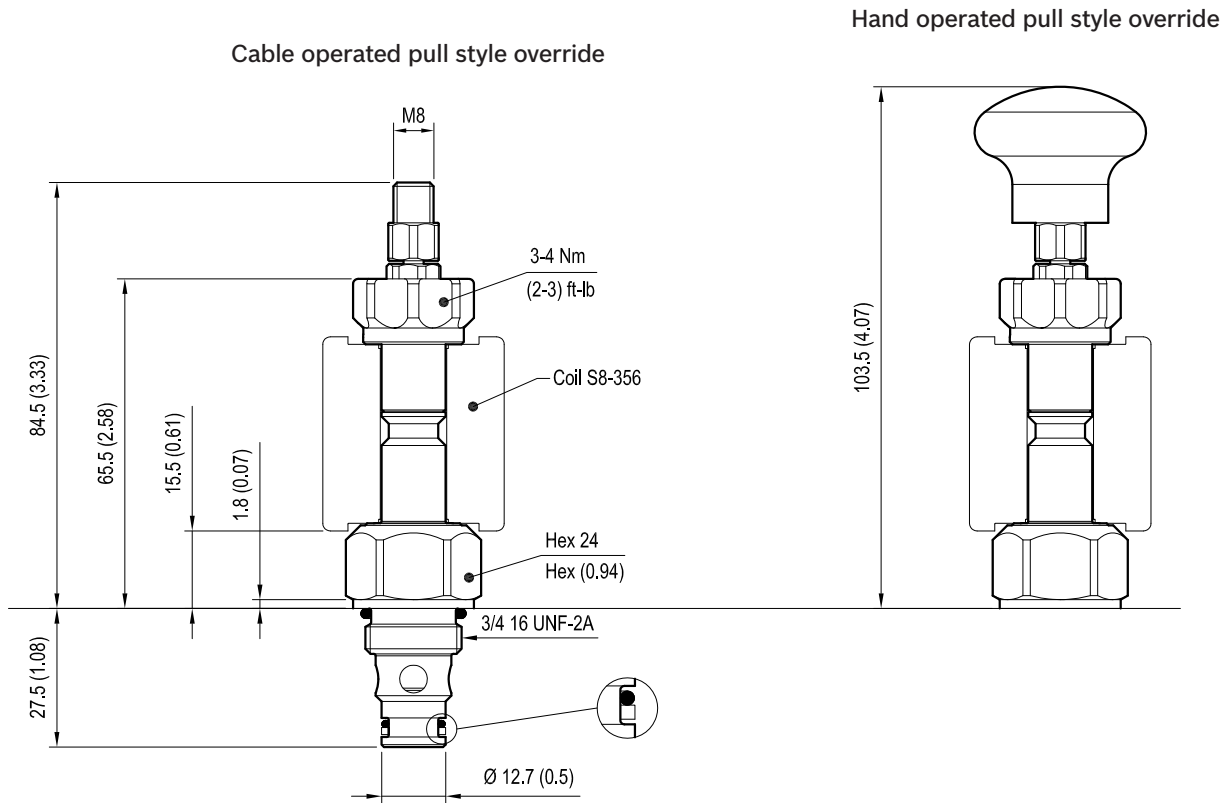
### Electrical

Type of voltage	DC voltage
Coil type	S8-356 see RE 18325-90
Supply voltage	See data sheet RE 18325-90
Nominal voltage	± 10%
Power consumption	W 20
Duty cycle coil	% See performance graphs
Type of protection	See data sheet RE 18325-90

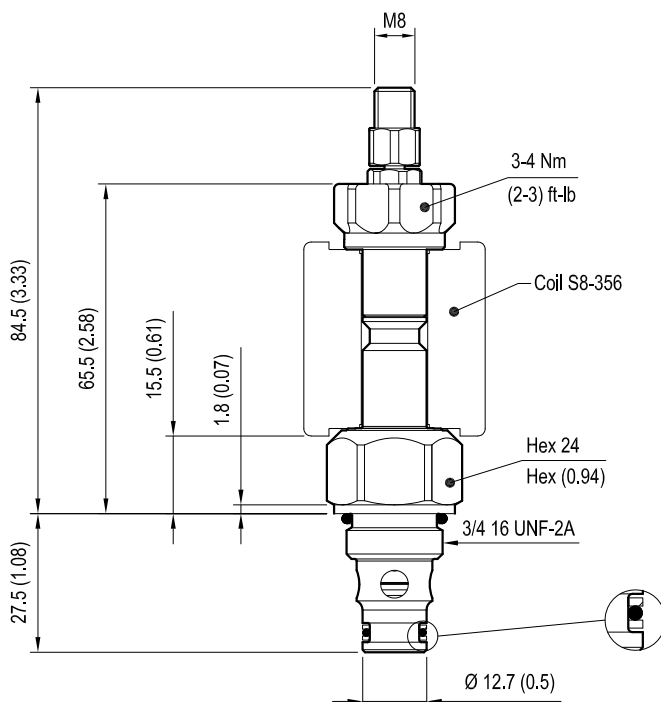
Note: Coils must be ordered separately.

## Dimensions

### Version 05: Solenoid operated valves poppet 2-way normally closed



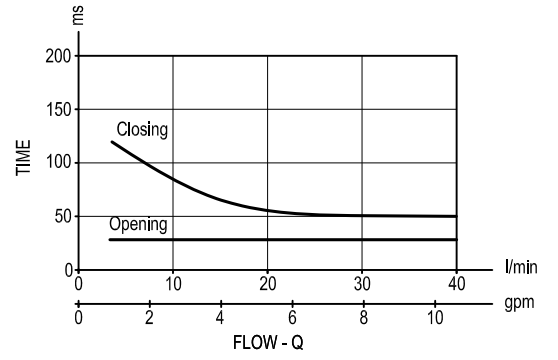
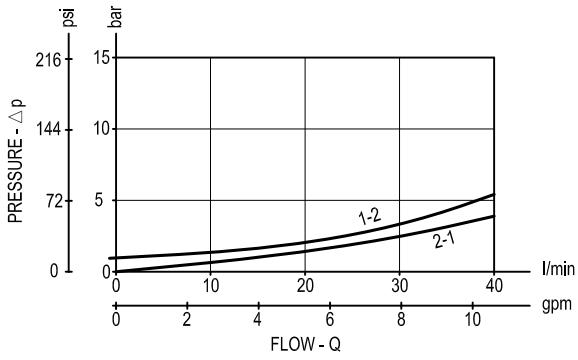
### Version 31: Solenoid operated valves poppet 2-way double lock normally closed



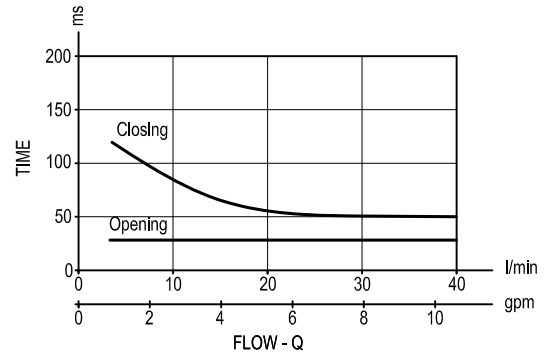
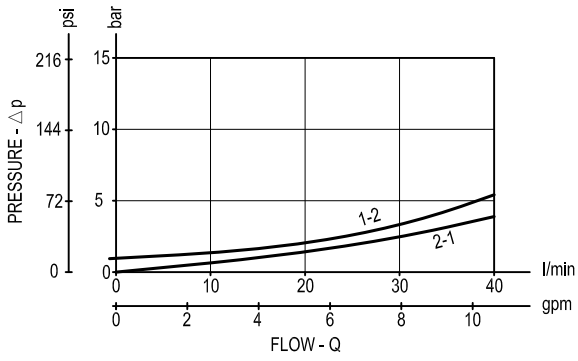
mm (Inches)

# Performance graph

Version 05



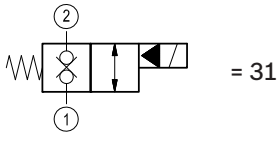
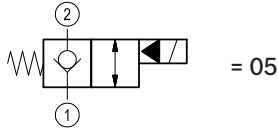
Version 31



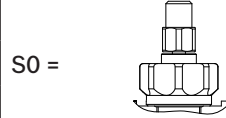
Ordering code

OD.15	*	18	3C	*
-------	---	----	----	---

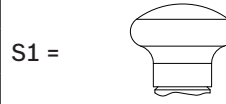
Solenoid operated valves  
poppet 2-way normally  
closed



Cable operated pull style override



Hand operated pull style override



Common cavity: CA-08A-2N

Type	Material number
OD1505183CS000	R901094735
OD1505183CS100	R901094737
OD1531183CS000	R901109982
OD1531183CS100	R901109983

Type	Material number