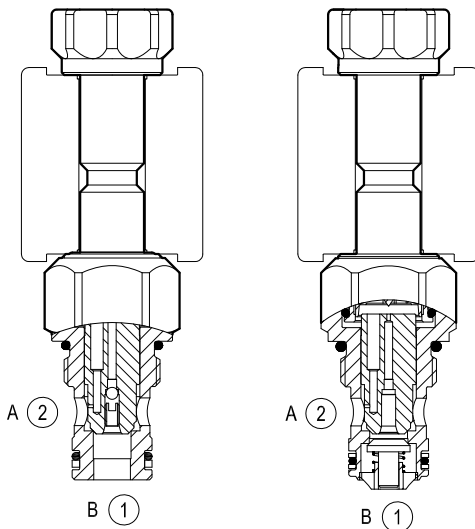
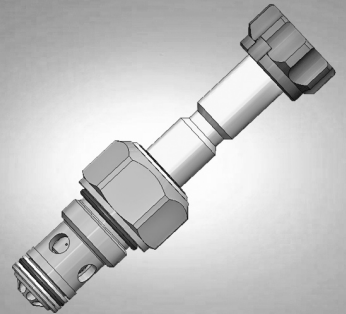


Solenoid operated valves pilot operated poppet type 2-way normally open

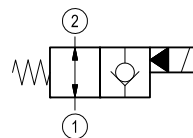
Special cavity, 019-E

VEI-8A-06-NA

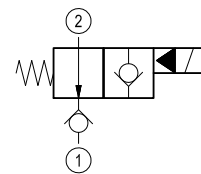
OD.15 - X - 19 - Z



version 06



version 12



General

Weight	kg (lbs)	0.13 (0.29)
Installation orientation		Optional
Ambient temperature range	°C (°F)	-30 to 60 (-22 to 140)

Hydraulic

Max. operating pressure	bar (psi)	350 (5000)
Max. proof pressure	bar (psi)	420 (6000)
Flow range	l/min. (gpm)	1.5-40 (0.4-11)
Fatigue cycle life	cycles	1 million cycles at 350 bar
Max. internal leakage	drops/min.	20
Fluid temperature range	°C (°F)	-20 to 80 (-4 to 176)

Fluids Mineral-based or synthetics with lubricating properties at viscosities of 20 to 380 mm²/s (cSt)

Installation torque Nm (ft-lbs) 39-51 (29-38)

Filtration Nominal value max. 10µm (NAS 8) ISO 4406 19/17/14

Special cavity 019-E see RE 18325-75

Seal kit version 06 code material no. RG19E201052010 R934003560

Seal kit version 12 code material no. RG19E201053010 R934003561

Seal kit coil code material no. RG12A1PNBR7010 R934003958

Other technical data See data sheet RE 18350-50

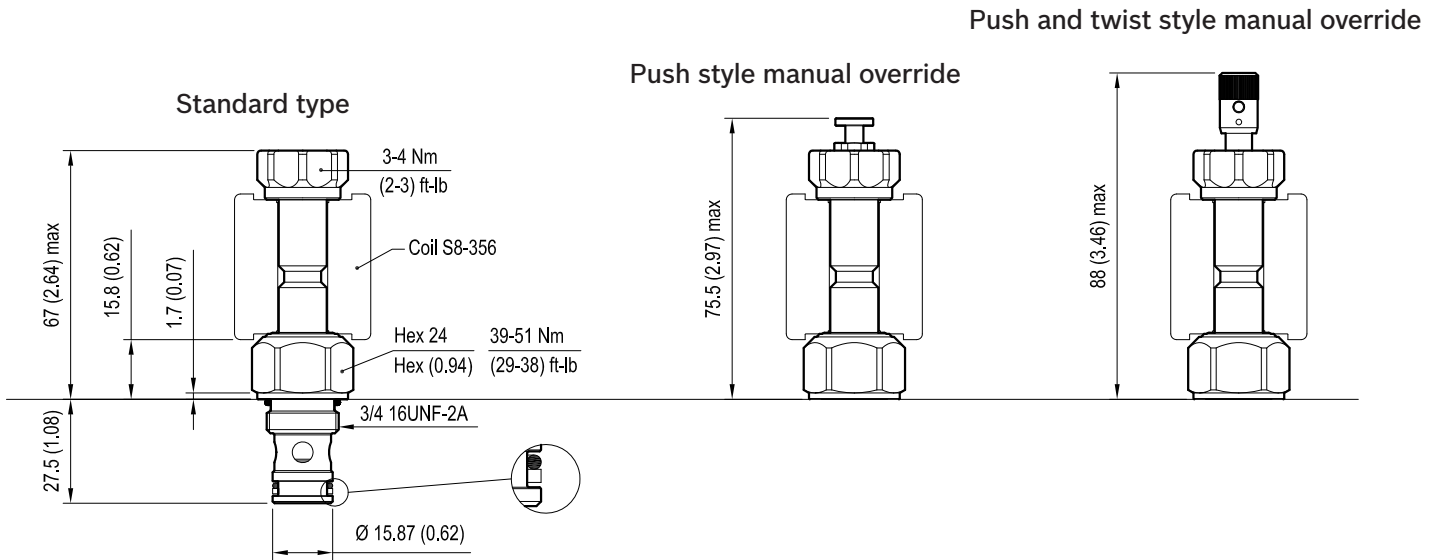
Electrical

Type of voltage	DC voltage
Coil type	S8-356 see RE 18325-90
Supply voltage	See data sheet RE 18325-90
Nominal voltage	± 10%
Power consumption	W 20
Duty cycle coil	% See performance graphs
Type of protection	See data sheet RE 18325-90

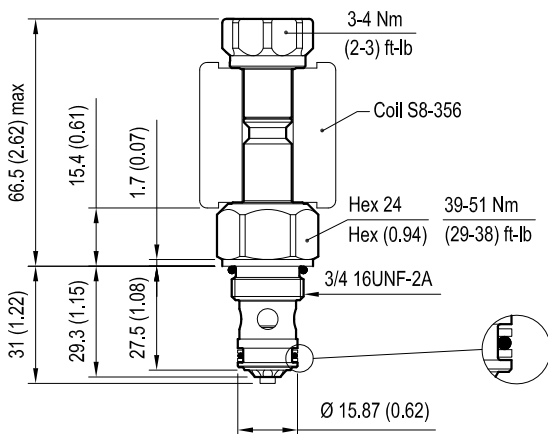
Note: Coils must be ordered separately.

Dimensions

Version 06: Solenoid operated valve, poppet 2-way normally open



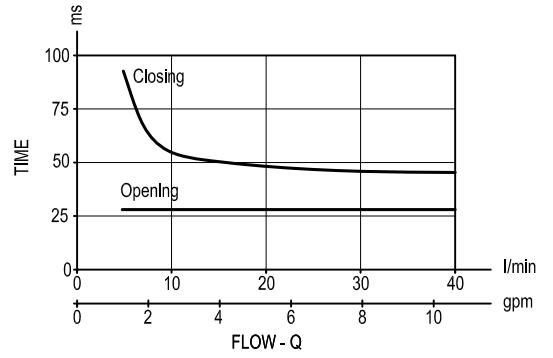
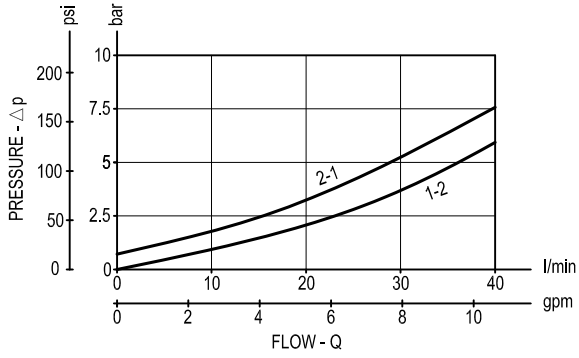
Version 12: Solenoid operated valve, poppet 2-way normally open



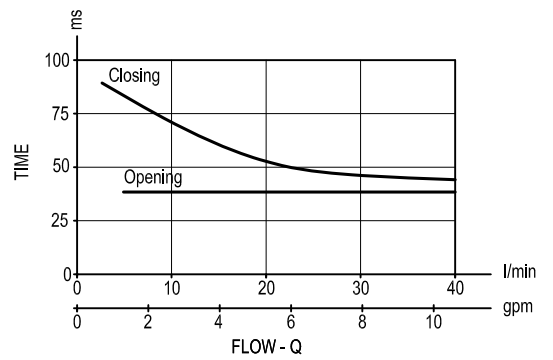
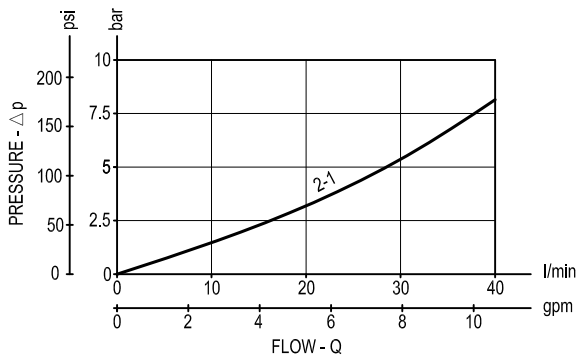
mm (Inches)

Performance graphs

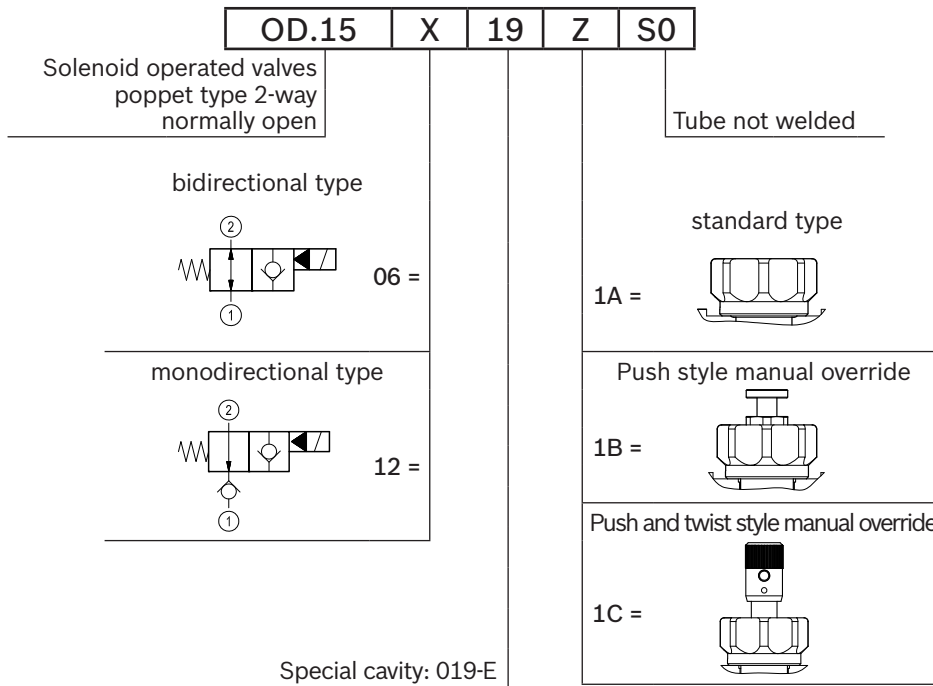
Version 06



Version 12



Ordering code



Type	Material number
OD1506191AS000	R934000989
OD1506191BS000	R934000990
OD1506191CS000	R934000991
OD1512191AS000	R901091159
OD1512191BS000	R901091161
OD1512191CS000	R901091162

Type	Material number