

Solenoid operated valves pilot operated poppet type
2-way normally open
Common cavity, Size 10

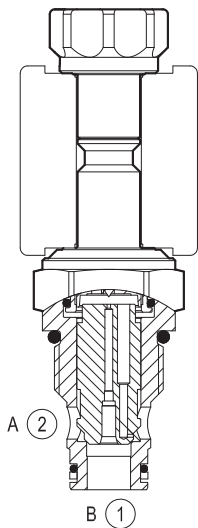
VEI-8A-10-NA

OD.15 - X - 36 - Y - S0

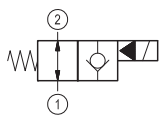
RE 18323-12

Edition: 01.2016

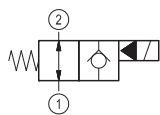
Replaces: 10.2013



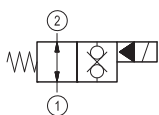
▼ **Version 06**



▼ **Version 04**



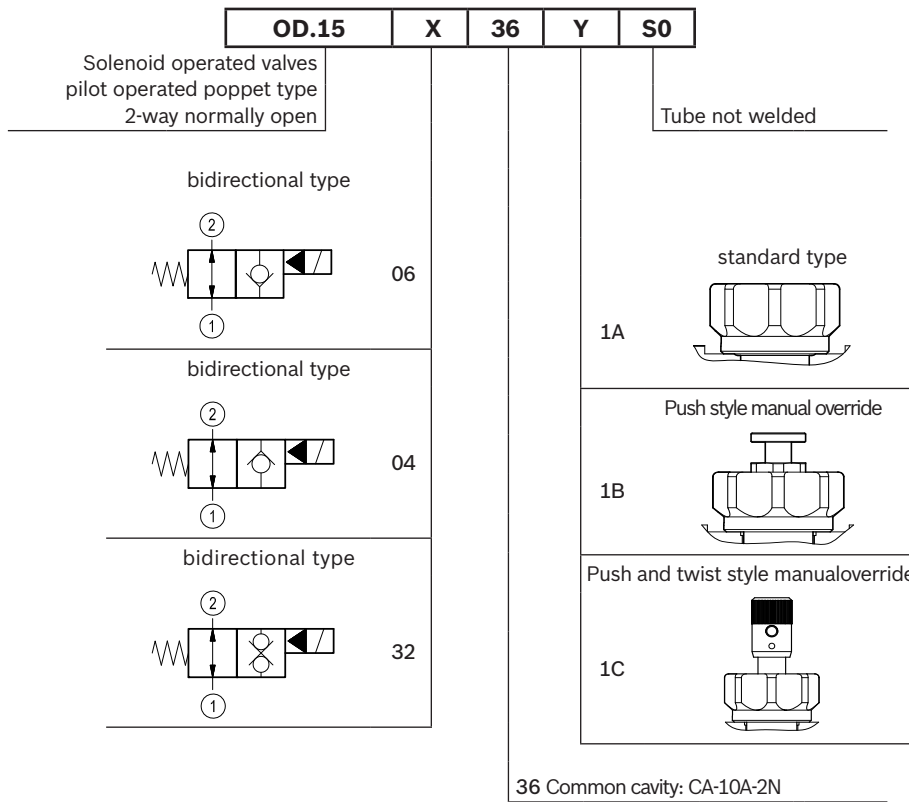
▼ **Version 32**



Technical data

General	
Weight	0.16 kg (0.35 lbs)
Installation orientation	Optional
Ambient temperature range	-30 to 60 °C (-22 to 140 °F)
Hydraulic	
Max. operating pressure	350 bar (5000 psi)
Max. proof pressure	420 bar (6000 psi)
Flow range	2 - 70 l/min (0.5 - 18 gpm)
Fatigue cycle life	1 million cycles at 350 bar
Max. internal leakage	20 drops/min.
Fluid temperature range	-20 to 80 °C (-4 to 176 °F)
Fluids: Mineral-based or synthetics with lubricating properties at viscosities of 20 to 380 mm ² /s (cSt)	
Installation torque	44 - 56 Nm (33 -42 ft-lbs)
Recommended degree of fluid contamination	Nominal value max. 10 µm (NAS 8) ISO 4406 19/17/14
MTTFd	150 years see RE 18350-51
Cavity	CA-10A-2N see 18325-70
Lines bodies and standard assemblies	Please refer to section "Hydraulic integrated circuit" or consult factory
Seal kit – version 06	code material no. RG10A2010520100 R901111363
Seal kit – version 04-32	code material no. RG10A2010530100 R901111366
Seal kit coil	code material no. RG12A1PNBR7010 R934003958
Other technical data	See data sheet 18350-50
Electrical	
Type of voltage	DC voltage
Coil type	S8-356 see 18325-90
Supply voltage	See data sheet 18325-90
Nominal voltage	± 10%
Power consumption	20 W
Duty cycle coil	See characteristic curves %
Type of protection	See data sheet 18325-90
Note: Coils must be ordered separately	

Ordering code



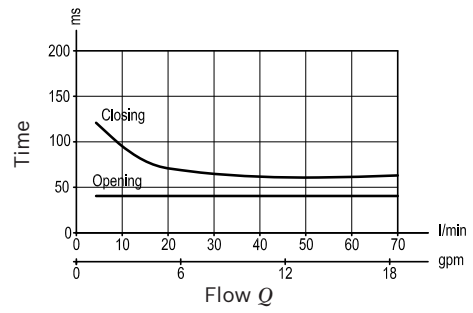
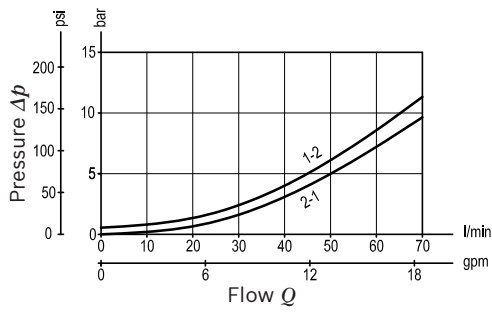
Type	Material number
OD1504361AS000	R901091124
OD1504361BS000	R901091125
OD1504361CS000	R901091126
OD1506361AS000	R901080489
OD1506361BS000	R901091136
OD1506361CS000	R901091137
OD1532361AS000	R901091175

Type	Material number
OD1532361BS000	R901091176
OD1532361CS000	R901091178

Characteristic curves

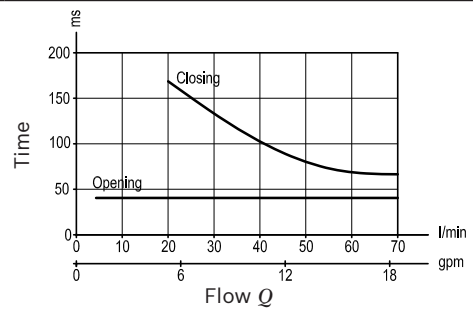
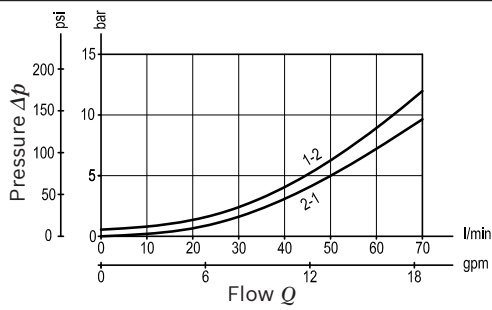
Version 06 - 04

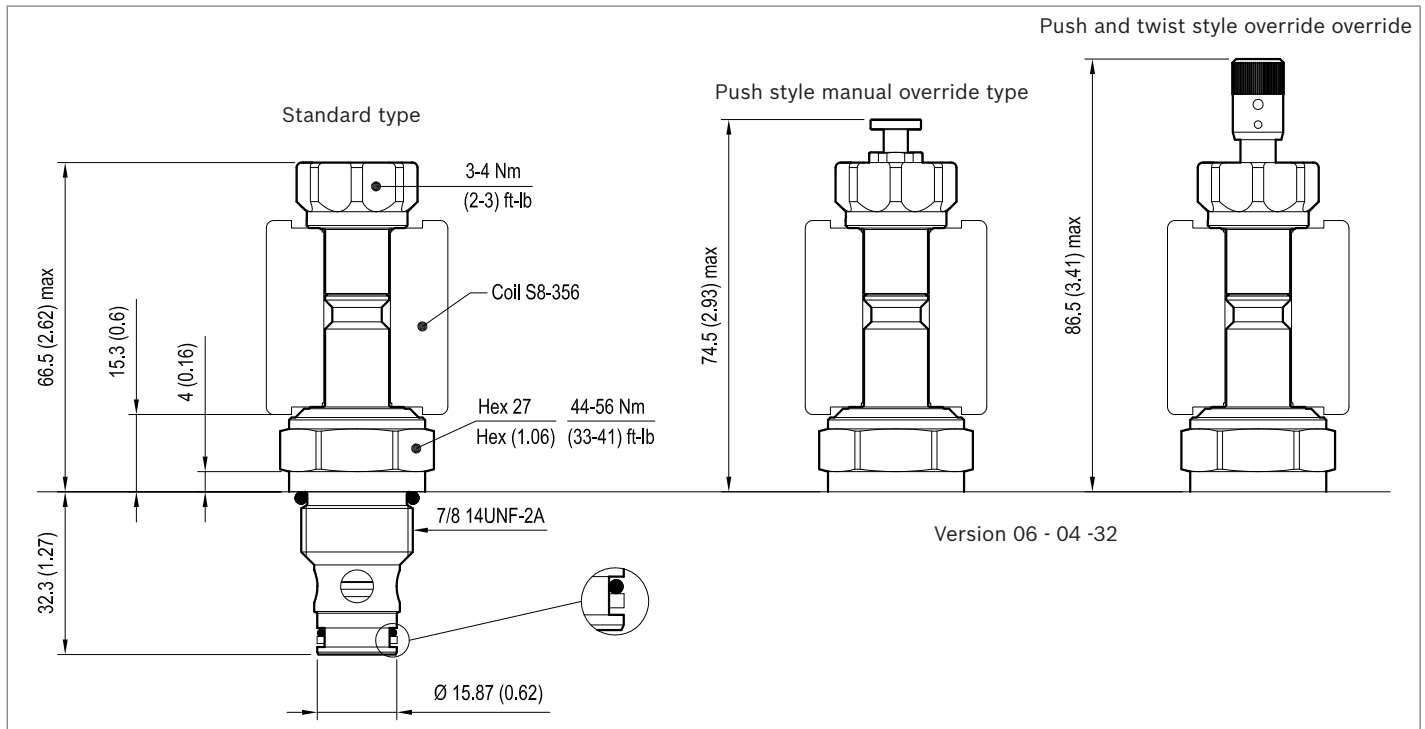
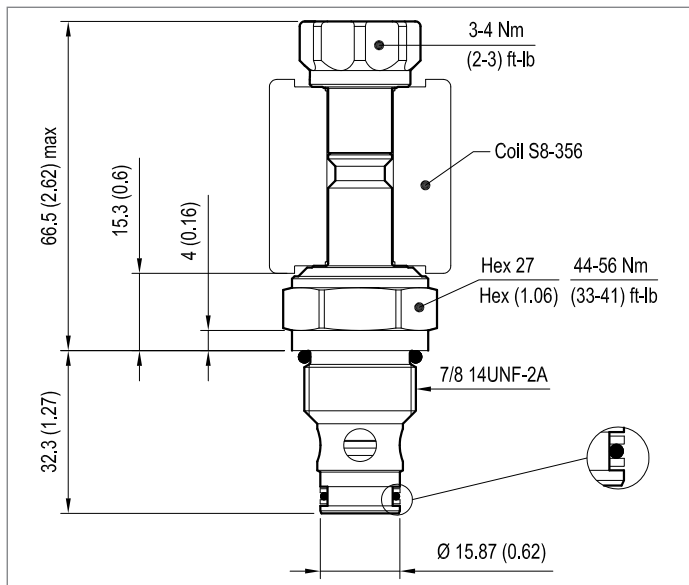
Standard



Version 32

Standard



Dimensions**Version 06: Solenoid operated valve, poppet 2-way normally open**▼ **Version 04: Solenoid operated valve, poppet 2-way normally open**▼ **Version 32: Solenoid operated valve, poppet 2-way double lock normally open****Bosch Rexroth Oil Control S.p.A.**

Via Leonardo da Vinci 5
P.O. Box no. 5
41015 Nonantola - Modena, Italy
Tel. +39 059 887 611
Fax +39 059 547 848
compact-hydraulics-cv@boschrexroth.com
www.boschrexroth.com/compacthydraulics

© This document, as well as the data, specifications and other information set forth in it, are the exclusive property of Bosch Rexroth Oil Control S.p.a.. It may not be reproduced or given to third parties without its consent. The data specified above only serve to describe the product. No statements concerning a certain condition or suitability for a certain application can be derived from our information. The information given does not release the user from the obligation of own judgment and verification. It must be remembered that our products are subject to a natural process of wear and aging. Subject to change.