

Solenoid operated valves pilot operated poppet type
 2-way normally closed
 Common cavity, Size 10

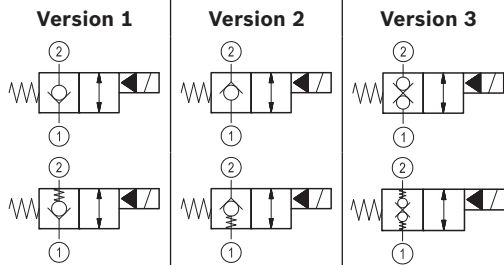
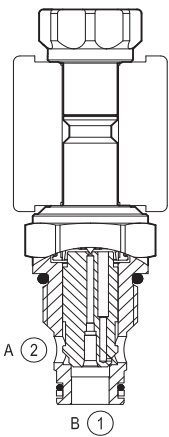
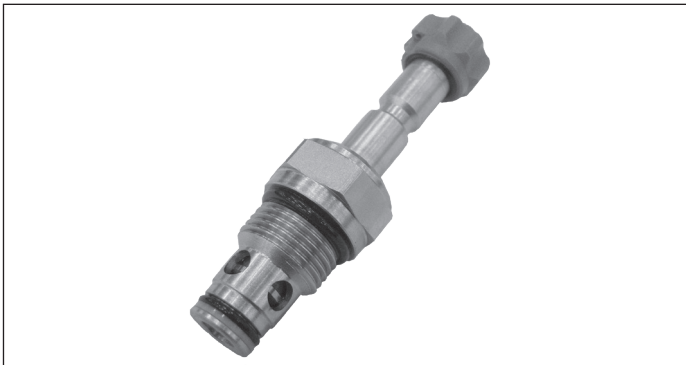
VEI-8A-10-NC

OD.15 - X - 36 - Y - Z

RE 18323-11

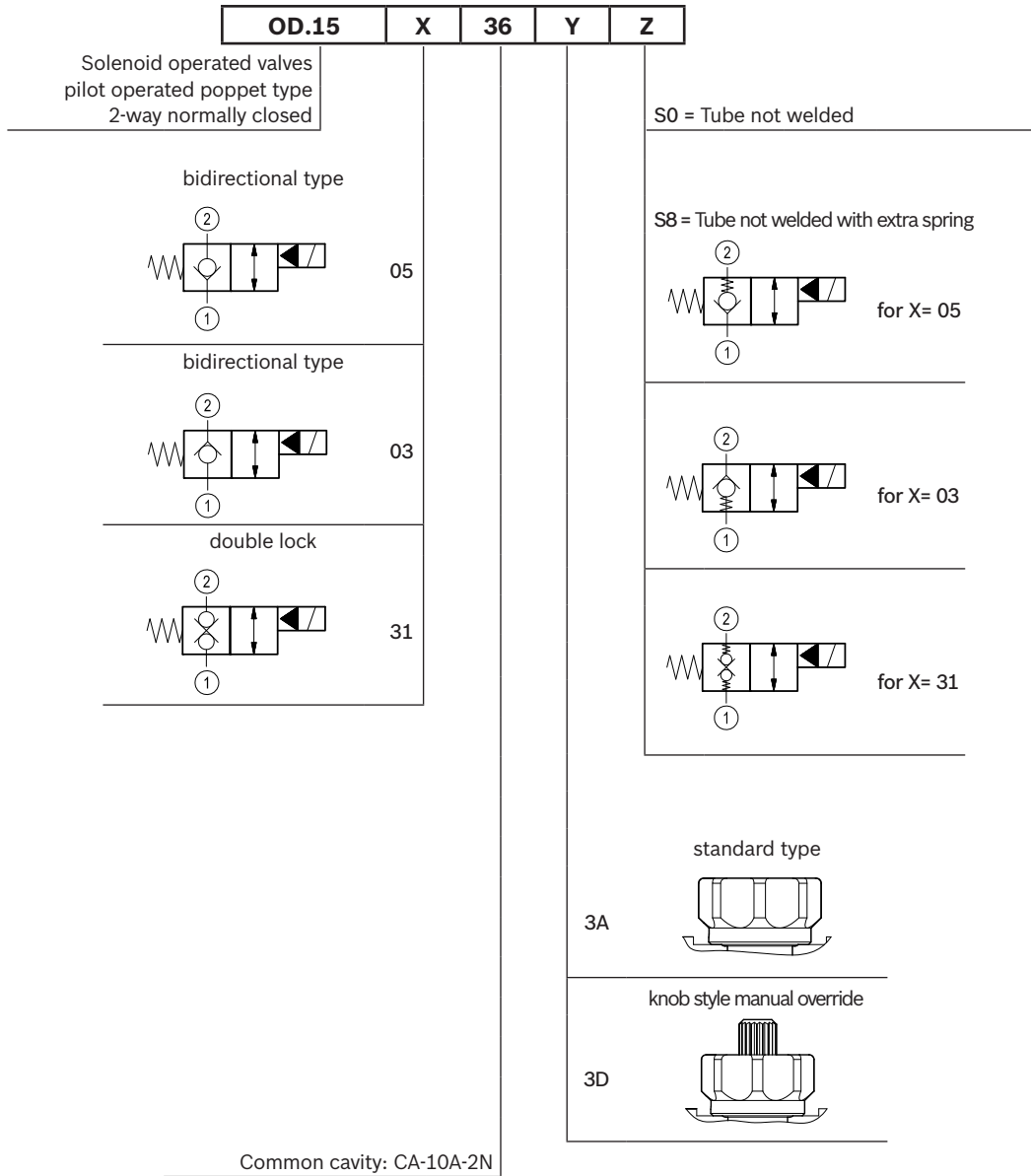
Edition: 01.2016

Replaces: 01.2014

**Technical data**

General	
Weight	0.16 kg (0.35 lbs)
Installation orientation	Optional
Ambient temperature range	-30 to 60 °C (-22 to 140 °F)
Hydraulic	
Max. operating pressure	350 bar (5000 psi)
Max. proof pressure	420 bar (6000 psi)
Flow range	2 - 70 l/min (0.5 - 18 gpm)
Fatigue cycle life	1 million cycles at 350 bar
Max. internal leakage	20 drops/min.
Fluid temperature range	-20 to 80 °C (-4 to 176 °F)
Fluids: Mineral-based or synthetics with lubricating properties at viscosities of 20 to 380 mm ² /s (cSt)	
Installation torque	44 - 56 Nm (33 - 42 ft-lbs)
Recommended degree of fluid contamination	Nominal value max. 10 µm (NAS 8) ISO 4406 19/17/14
MTTFd	150 years see RE 18350-51
Cavity	CA-10A-2N see 18325-70
Lines bodies and standard assemblies	Please refer to section "Hydraulic integrated circuit" or consult factory
Seal kit – version 1	code material no. RG10A2010520100 R901111363
Seal kit – version 2-3	code material no. RG10A2010530100 R901111366
Seal kit coil	code material no. RG12A1PNBR7010 R934003958
Other technical data	See data sheet 18350-50
Electrical	
Type of voltage	DC voltage
Coil type	S8-356 see 18325-90
Supply voltage	See data sheet 18325-90
Nominal voltage	± 10%
Power consumption	20 W
Duty cycle coil	See characteristic curves
Type of protection	See data sheet 18325-90
Note: Coils must be ordered separately	

Ordering code



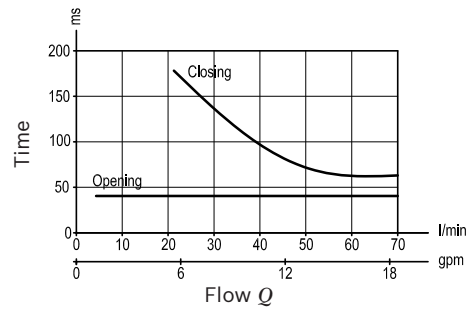
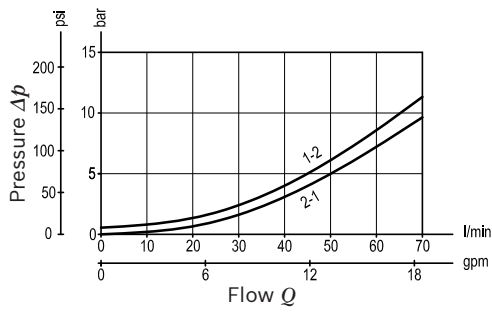
Type	Material number
OD1503363AS000	R901091113
OD1503363AS800	R901091114
OD1503363DS000	R934004878
OD1503363DS800	R901109956
OD1505363AS000	R901090947
OD1505363AS800	R901090945

Type	Material number
OD1505363DS000	R901080482
OD1505363DS800	R901109969
OD1531363AS000	R901091166
OD1531363AS800	R901109984
OD1531363DS000	R901091167
OD1531363DS800	R901109985

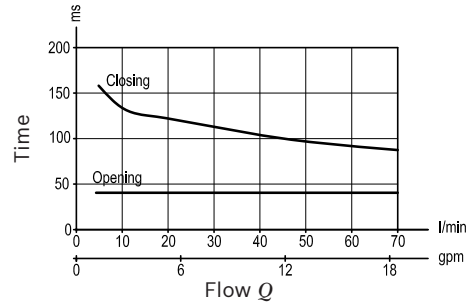
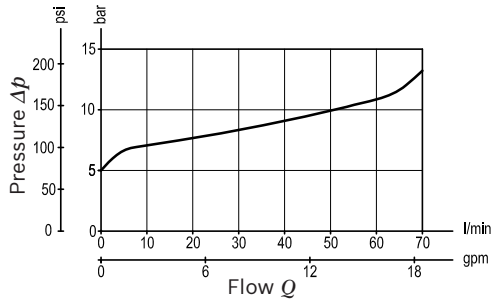
Characteristic curves

Version 1 - Version 2

Standard

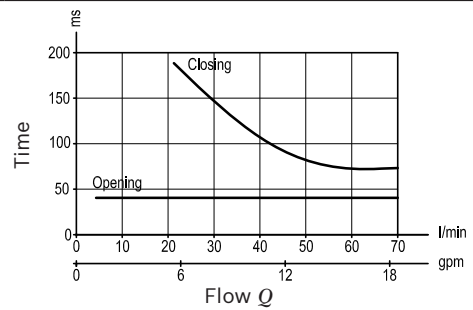
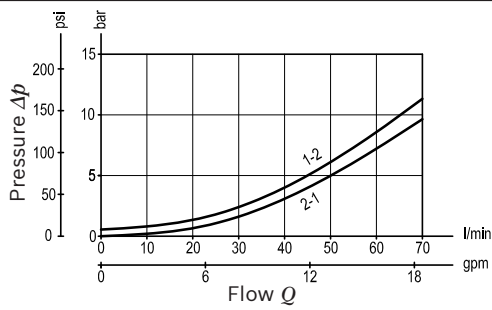


Extra spring

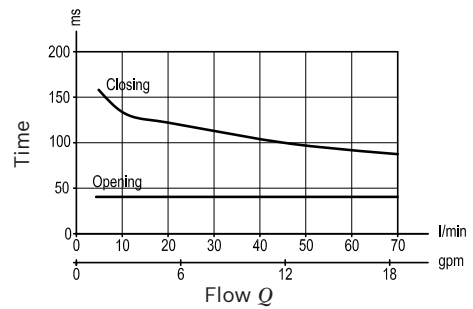
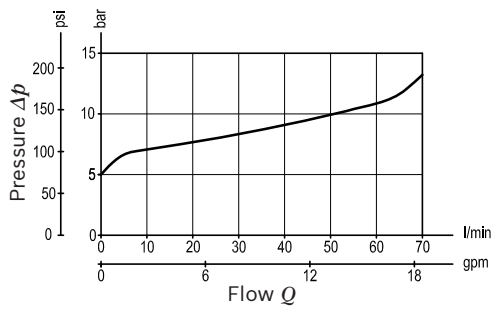


Version 3

Standard

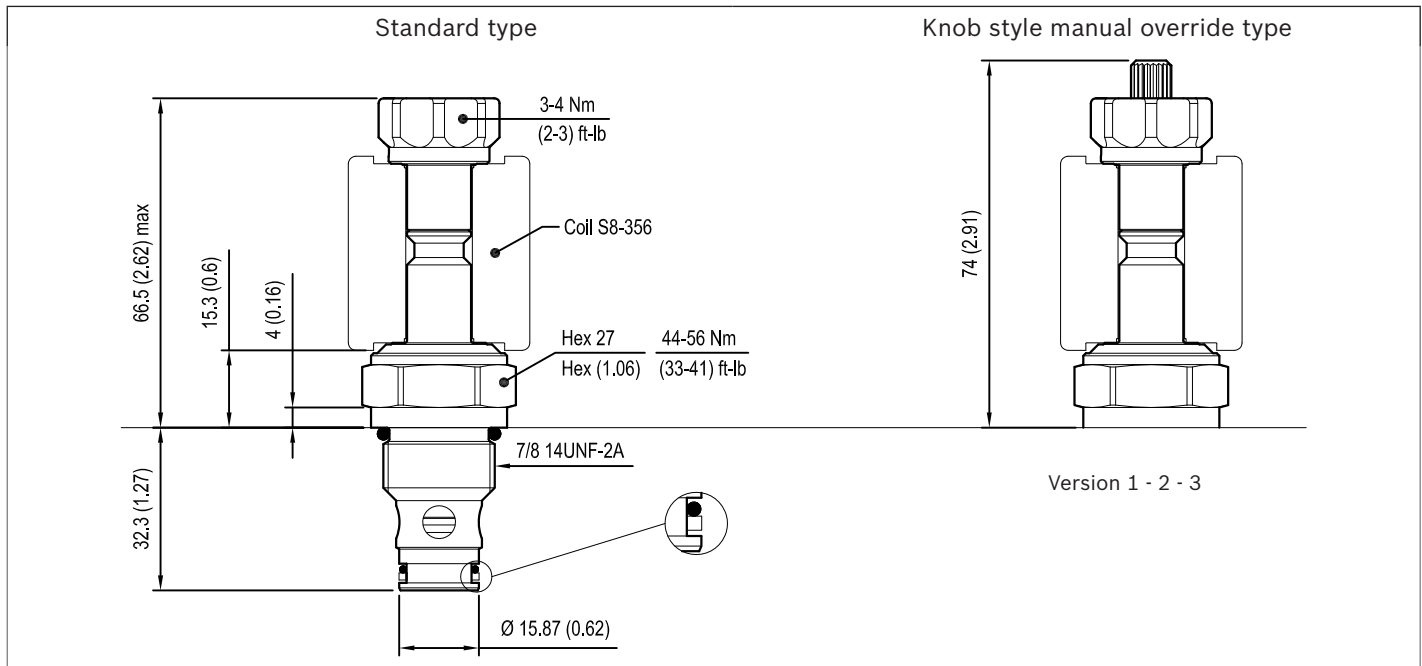


Extra spring



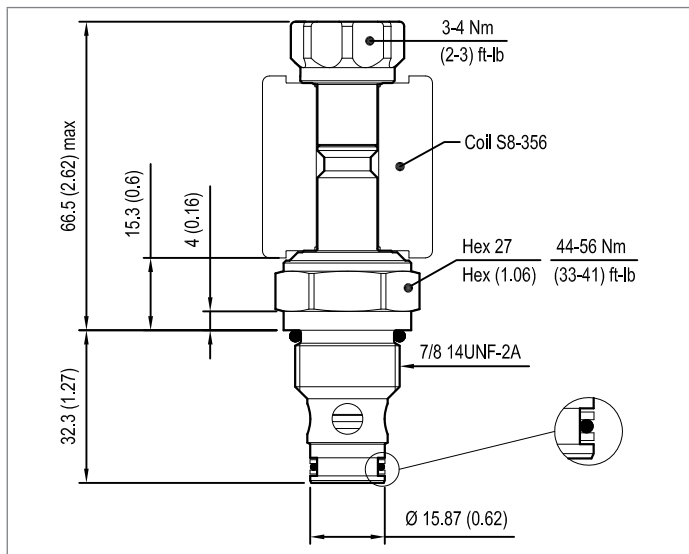
Dimensions

Version 1: Solenoid operated valve, poppet 2-way normally closed



Version 2: Solenoid operated valve, poppet 2-way normally closed

Version 3: Solenoid operated valve, poppet 2-way double lock normally closed



Bosch Rexroth Oil Control S.p.A.

Via Leonardo da Vinci 5
P.O. Box no. 5
41015 Nonantola - Modena, Italy
Tel. +39 059 887 611
Fax +39 059 547 848
compact-hydraulics-cv@boschrexroth.com
www.boschrexroth.com/compacthydraulics

© This document, as well as the data, specifications and other information set forth in it, are the exclusive property of Bosch Rexroth Oil Control S.p.a.. It may not be reproduced or given to third parties without its consent. The data specified above only serve to describe the product. No statements concerning a certain condition or suitability for a certain application can be derived from our information. The information given does not release the user from the obligation of own judgment and verification. It must be remembered that our products are subject to a natural process of wear and aging. Subject to change.