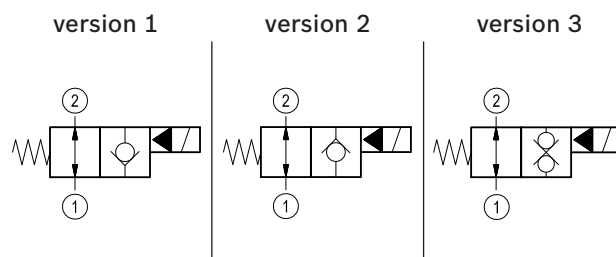
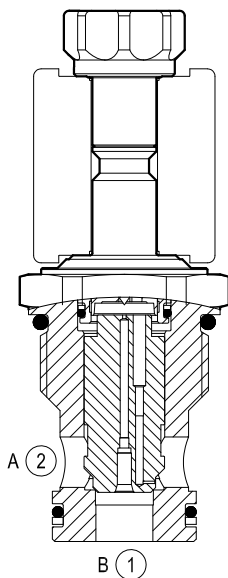


Solenoid operated valves pilot operated poppet type 2-way normally open

Common cavity, Size 16

VEI-8A-16A-NA

OD.15 - X - 75 - Y - S0



General

Weight	kg (lbs)	0.32 (0.71)
Installation orientation		Optional
Ambient temperature range	°C (°F)	-30 to 60 (-22 to 140)

Hydraulic

Max. operating pressure	bar (psi)	350 (5000)
Max. proof pressure	bar (psi)	420 (6000)
Flow range	l/min. (gpm)	5-150 (1-40)
Fatigue cycle life	cycles	1 million cycles at 350 bar
Max. internal leakage	drops/min.	20
Fluid temperature range	°C (°F)	-20 to 80 (-4 to 176)

Fluids Mineral-based or synthetics with lubricating properties at viscosities of 20 to 380 mm²/s (cSt)

Installation torque Nm (ft-lbs) 130-150 (96-111)

Filtration Nominal value max. 10µm (NAS 8) ISO 4406 19/17/14

MTTFd 150 years see RE 18350-51

Cavity CA-16A-2N see RE 18325-75

Seal kit - version 1 code material no. RG75E201052010 R934004079

Seal kit - version 2-3 code material no. RG75E201053010 R934004080

Seal kit coil code material no. RG12A1PNBR7010 R934003958

Other technical data See data sheet RE 18350-50

Electrical

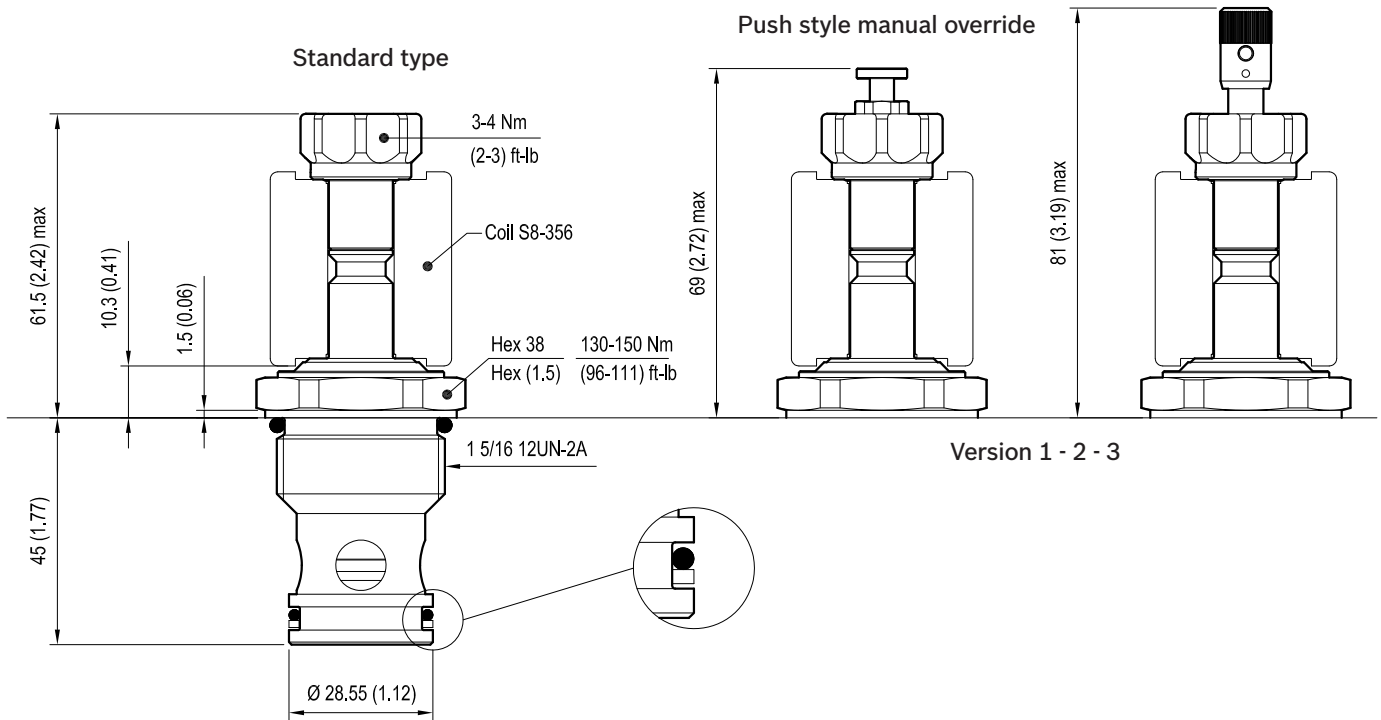
Type of voltage	DC voltage
Coil type	S8-356 see RE 18325-90
Supply voltage	See data sheet RE 18325-90
Nominal voltage	± 10%
Power consumption	W 20
Duty cycle coil	% See performance graphs
Type of protection	See data sheet RE 18325-90

Note: Coils must be ordered separately.

Dimensions

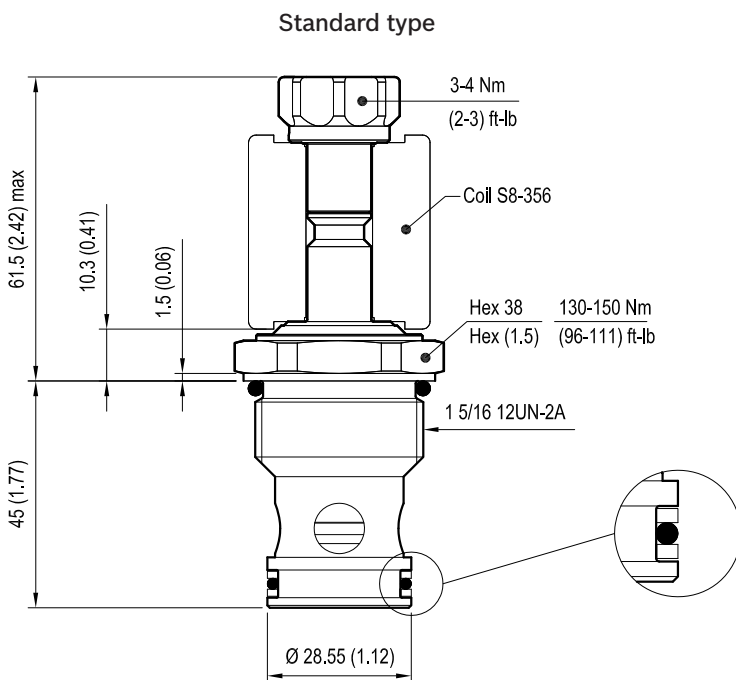
Version 1: Solenoid operated valve, poppet 2-way normally open

Push and twist style manual override



Version 2: Solenoid operated valve, poppet 2-way normally open

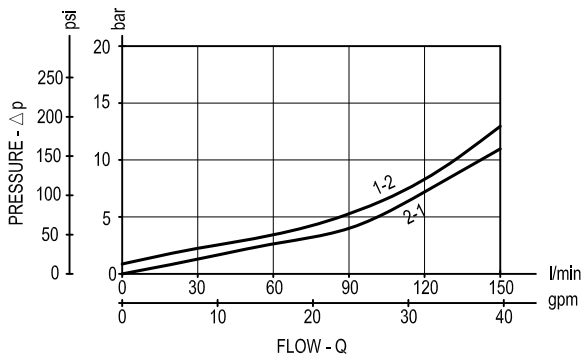
Version 3: Solenoid operated valve, poppet 2-way double lock normally open



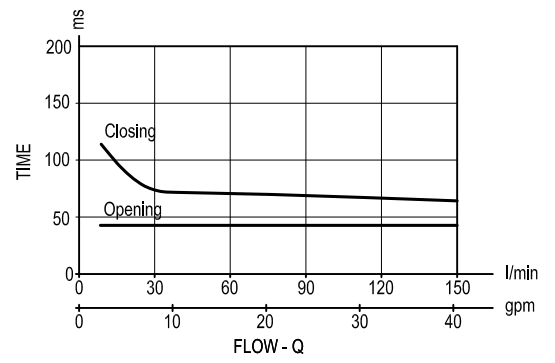
mm (Inches)

Performance graphs

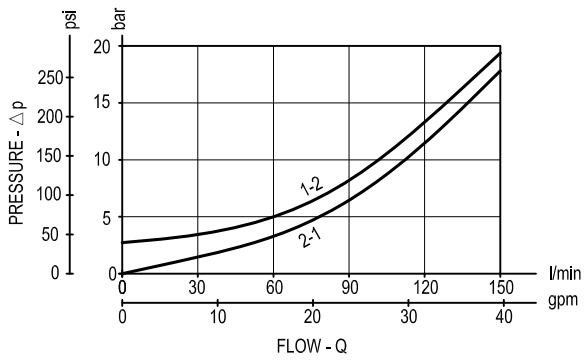
Version 1 - Version 2



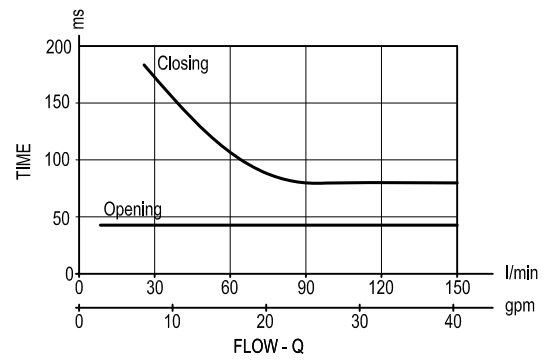
Standard



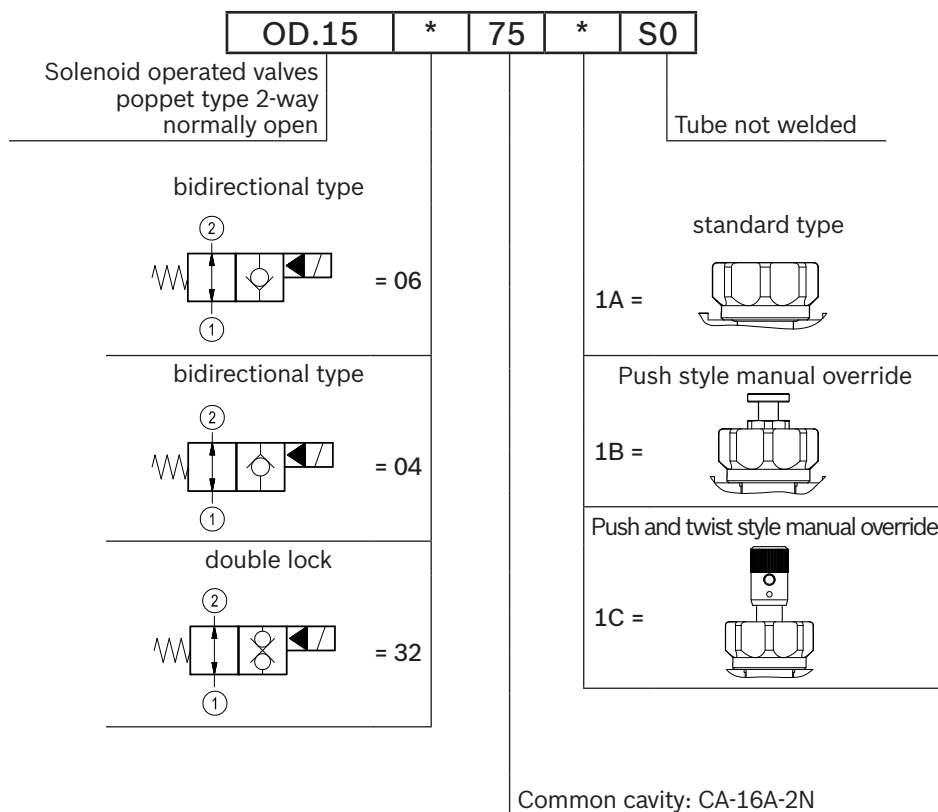
Version 3



Standard



Ordering code



Type	Material number
OD1504751AS000	R901094731
OD1506751AS000	R901095953
OD1506751BS000	R901095955
OD1506751CS000	R901095956
OD1532751AS000	R901094753
OD1532751BS000	R901094754
OD1532751CS000	R901094755

Type	Material number