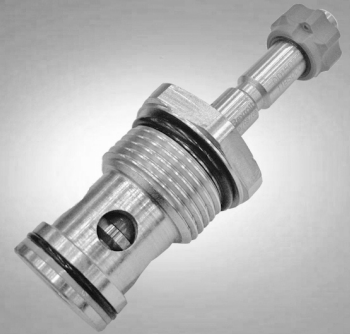


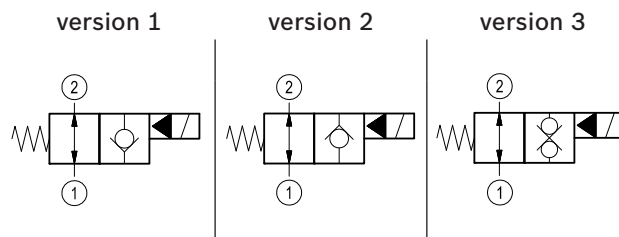
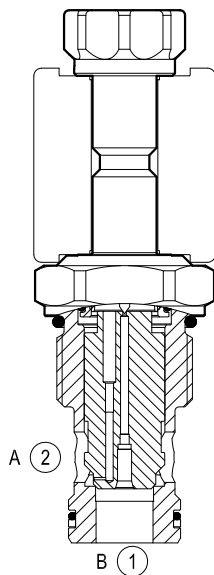
Solenoid operated valves pilot operated poppet type 2-way normally open

Common cavity, Size 12



VEI-8A-12A-NA

OD.15 - X - 89 - Y - S0



General

Weight	kg (lbs)	0.23 (0.51)
Installation orientation		Optional
Ambient temperature range	°C (°F)	-30 to 60 (-22 to 140)

Hydraulic

Max. operating pressure	bar (psi)	350 (5000)
Flow range	l/min. (gpm)	5-150 (1-40)
Max. internal leakage	drops/min.	20
Fluid temperature range	°C (°F)	-20 to 80 (-4 to 176)
Fluids		Mineral-based or synthetics with lubricating properties at viscosities of 20 to 380 mm ² /s (cSt)
Installation torque	Nm (ft-lbs)	54-66 (40-49)
Filtration		Nominal value max. 10µm (NAS 8) ISO 4406 19/17/14
Cavity		CA-12A-2N see RE 18325-75
Seal kit - version 1	code material no.	RG12A2010520100 R901111377
Seal kit - version 2-3	code material no.	RG12A2010530100 R930003374
Seal kit coil	code material no.	RG12A1PNBR7010 R934003958
Other technical data		See data sheet RE 18350-50

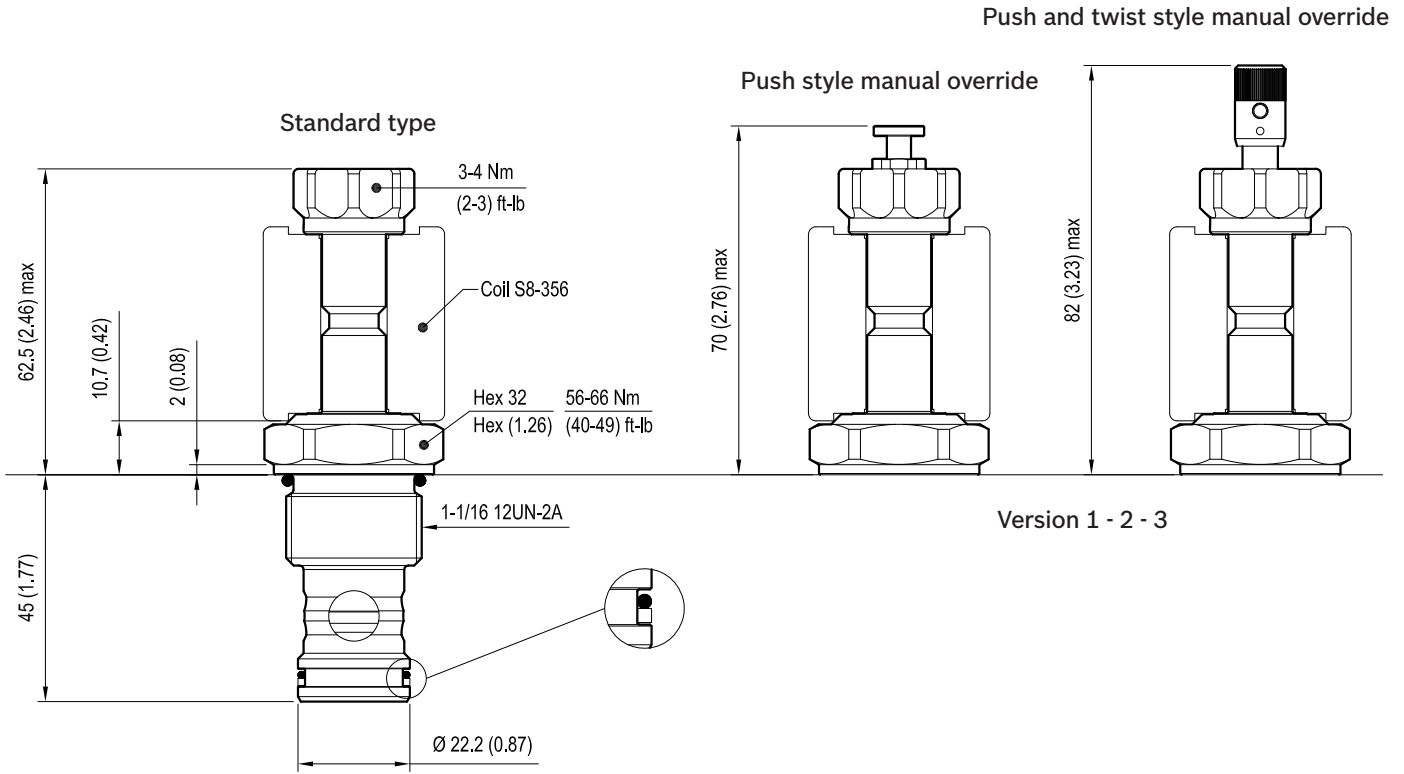
Electrical

Type of voltage		DC voltage
Coil type		S8-356 see RE 18325-90
Supply voltage		See data sheet RE 18325-90
Nominal voltage		± 10%
Power consumption	W	20
Duty cycle coil	%	See performance graphs
Type of protection		See data sheet RE 18325-90

Note: Coils must be ordered separately.

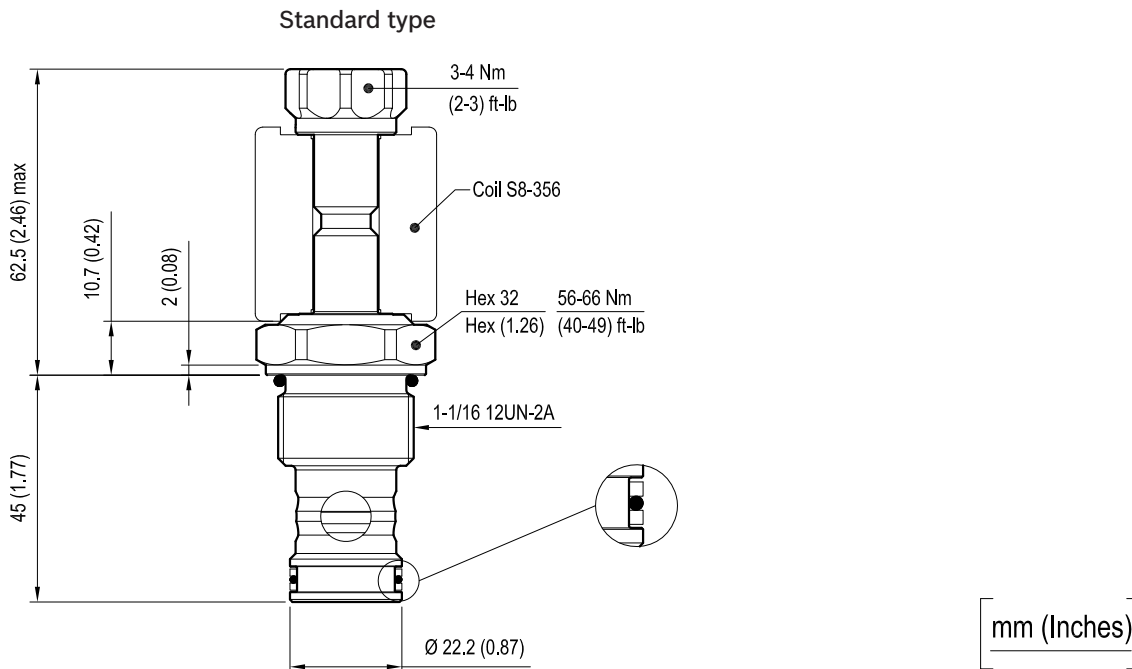
Dimensions

Version 1: Solenoid operated valve, poppet 2-way normally open



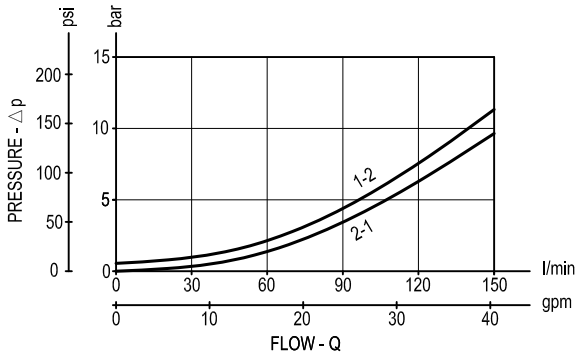
Version 2: Solenoid operated valve, poppet 2-way normally open

Version 3: Solenoid operated valve, poppet 2-way double lock normally open

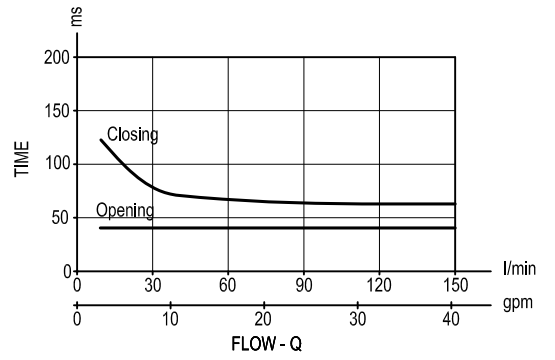


Performance graphs

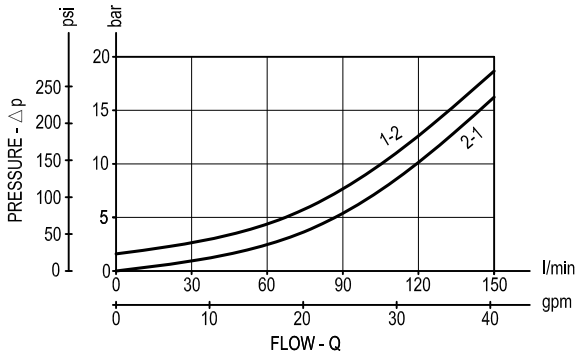
Version 1 - Version 2



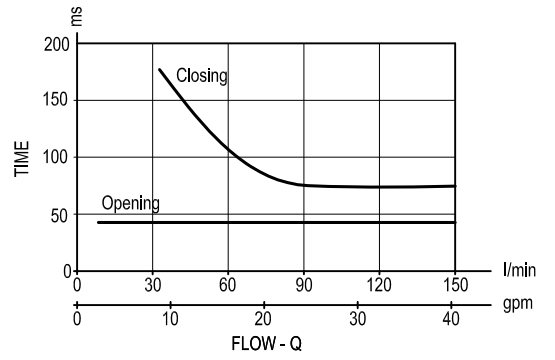
Standard



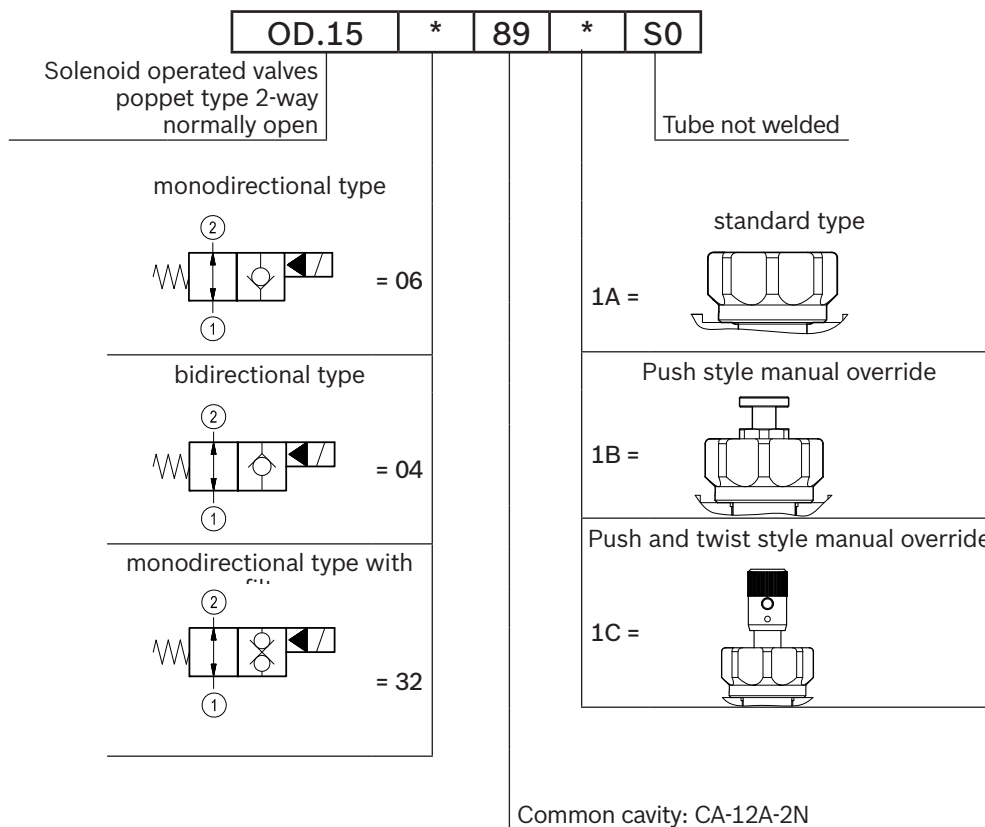
Version 3



Standard



Ordering code



Type	Material number
OD1504891AS000	R901090961
OD1504891BS000	R901090960
OD1506891AS000	R901091139
OD1506891BS000	R901091140
OD1506891CS000	R901091141
OD1532891AS000	R901091179
OD1532891BS000	R901091180
OD1532891CS000	R901091182

Type	Material number