

Solenoid operated valves pilot operated poppet type
2-way normally closed
Common cavity, Size 12

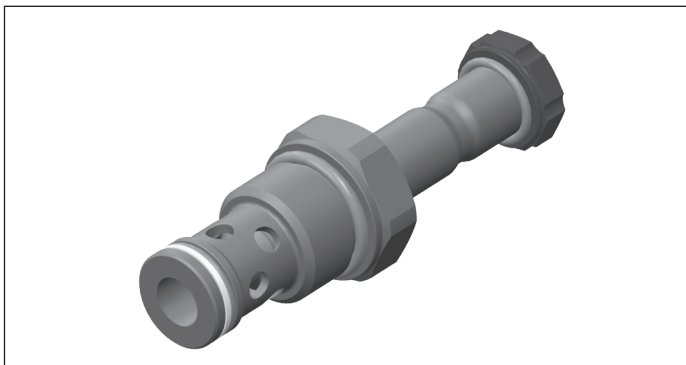
VEI-16-NC

OD.15 - X - 89 - Y - Z

RE 18323-39

Edition: 06.2019

Replaces: 02.2019



Technical data

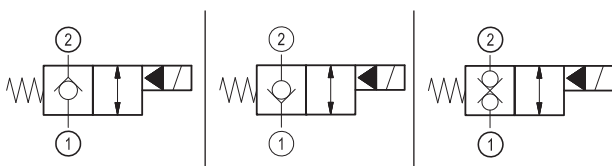
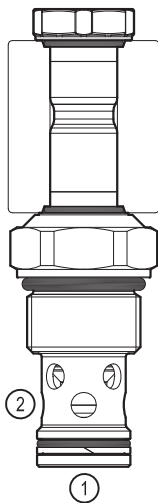
New VEI-16 family incorporates a new solenoid concept providing excellent performance and enables cartridges to work in severe environment. Cartridges also incorporates advanced design of hydraulic parts providing excellent hydraulic performance.

Technical data

General	
Weight	0.25 kg (0.55 lbs)
Installation orientation	Unrestricted
Storage ambient temperature range	-40 to 100 °C (-40 to 212 °F)
Operating ambient temperature range	-30 to 90 °C (-22 to 194 °F)
Hydraulic	
Max. operating pressure	350 bar (5000 psi)
Flow range	5 - 150 l/min (1 - 40 gpm)
Max. internal leakage:	20 drops/min.
Switching time	Closing ≤ 100 ms Opening ≤ 50 ms
Fluid temperature range	-20 to 80 °C (-4 to 176 °F)
Fluids: Mineral-based or synthetics with lubricating properties at viscosities of 20 to 380 mm ² /s (cSt)	
Installation torque	54 - 66 Nm (40 - 49 ft-lbs)
Recommended degree of fluid contamination	Nominal value max. 10 μm (NAS 8) ISO 4406 19/17/14
MTTFD	150 years see 18350-51
Common cavity	CA-12A-2N see 18325-70
Seal kit for X=03,05	code RG12A2010520100 material no. R901111377
Seal kit for X=31	code RG12A2010530100 material no. R930003374
Seal kit coil and standard cap	code RG02Z0010000100 material no. R930067869
Seal kit coil and protective cap only for Y=D	code RG03Z0010000100 material no. R930067870
Other technical data	See data sheet 18350-50
Electrical	
Type of voltage	DC voltage
Coil type	D36
Supply voltage	See data sheet 18325-90
Voltage tolerance against ambient temperature	See characteristic curve
Power consumption	20 W
Type of protection	See data sheet 18325-90

Note: Coils must be ordered separately

PATENT PENDING



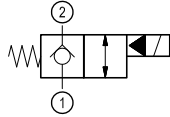
Ordering code

OD.15	X	89	Y	Z	0000	*
--------------	----------	-----------	----------	----------	-------------	----------

Solenoid operated valves
pilot operated poppet type
2-way normally closed

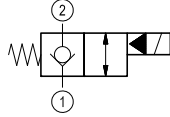
Series O/A to L
unchanged performances and dimensions

bidirectional type



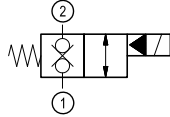
03

bidirectional type



05

bidirectional type



31

- 0 = With buna seal
- 8 = With buna seal and extra spring only for **05**
- V = With Viton seal
- P = With buna seal and protective cap for override version **D**
- T = With Viton seal and protective cap for override version **D**

- A = Standard
- D = Knob style manual override
- E = Pull style manual override
- F = Hand operated pull style manual override

Common cavity: CA-12A-2N

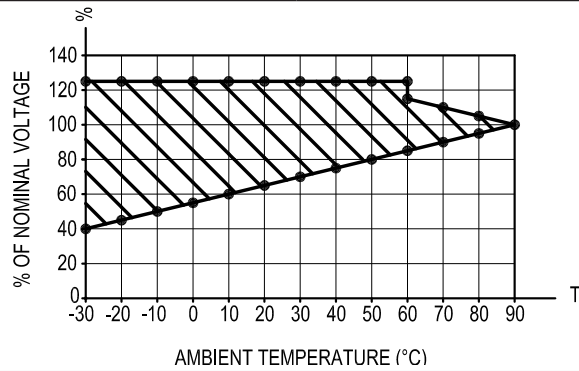
Preferred types

Type	Material number
OD150589A000000	R930061347
OD150589D000000	R930065473
OD150589F000000	R930067898
OD150589A800000	R930069502
OD150589E000000	R930068530
OD150389A000000	R930066083
OD150389D000000	R930069501
OD153189A000000	R930067154
OD153189A800000	R930069494
OD153189AV00000	R930069493
OD153189D000000	R930069498

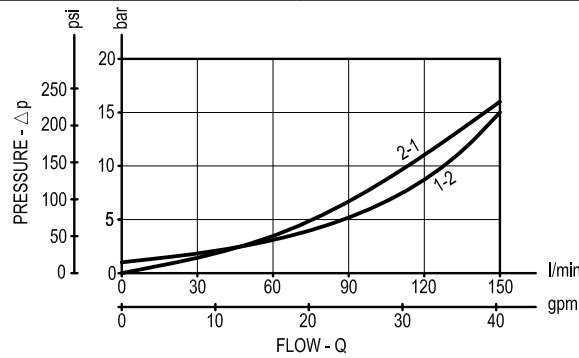
Type	Material number

Characteristic curves

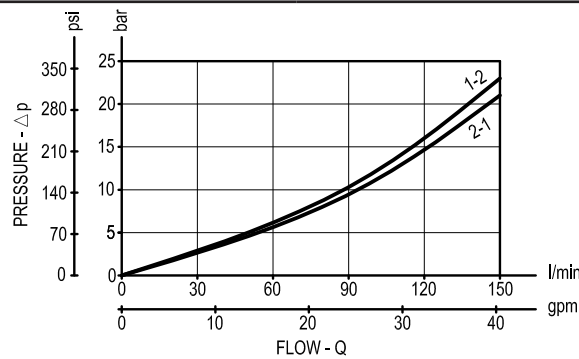
All Versions - Admissible supply voltage Vs. Ambient temperature at 100% duty cycle



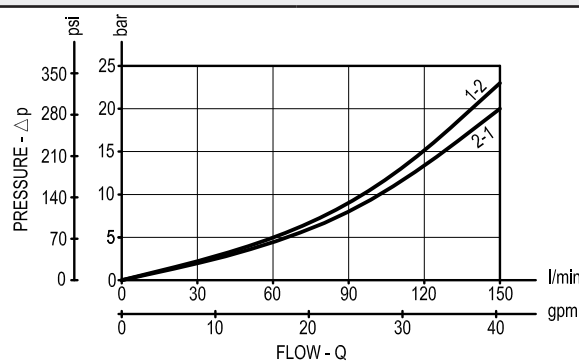
Versions 05

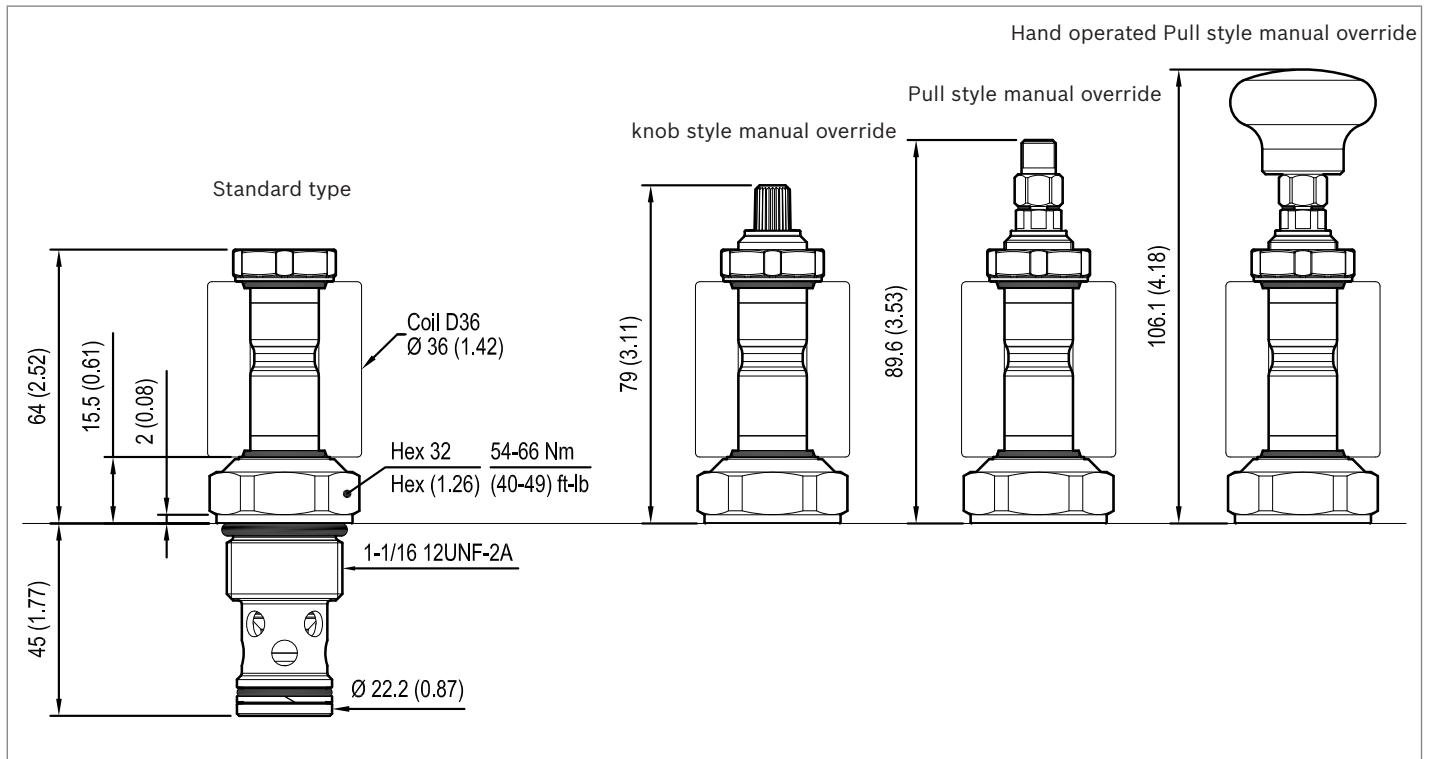
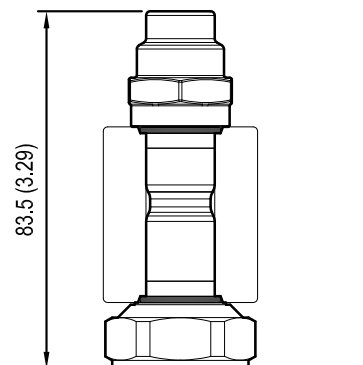


Versions 31



Versions 03



Dimensions**Solenoid operated valves, poppet 2-way normally closed****Knob style manual override and protective cap****Bosch Rexroth Oil Control S.p.A.**

Via Leonardo da Vinci 5
P.O. Box no. 5
41015 Nonantola – Modena, Italy
Tel. +39 059 887 611
Fax +39 059 547 848
compact-hydraulics-cv@boschrexroth.com
www.boschrexroth.com/compacthydraulics

© This document, as well as the data, specifications and other information set forth in it, are the exclusive property of Bosch Rexroth Oil Control S.p.a.. It may not be reproduced or given to third parties without its consent. The data specified above only serve to describe the product. No statements concerning a certain condition or suitability for a certain application can be derived from our information. The information given does not release the user from the obligation of own judgment and verification. It must be remembered that our products are subject to a natural process of wear and aging. Subject to change.