

VU-C-06-1

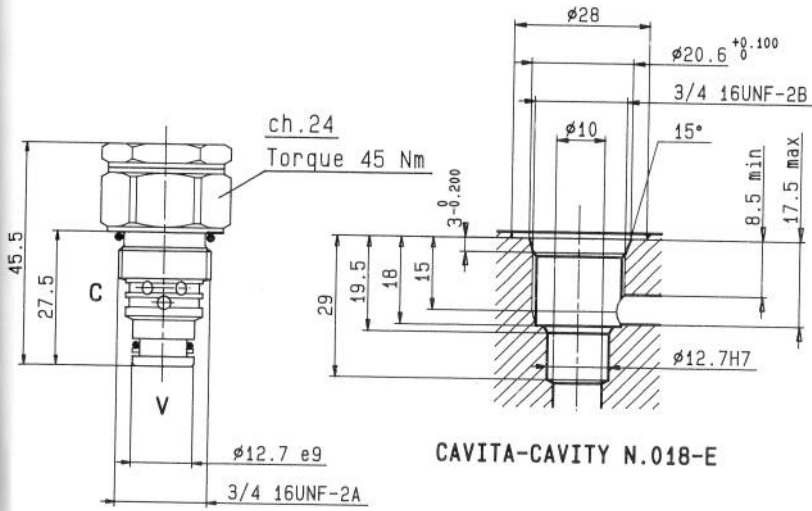
OD.42.01.00.56 - Z

DENOMINAZIONE VALVOLA
VALVE DENOMINATION

CODICE D'ORDINAZIONE
ORDERING CODE

These valves are particularly suitable to be used in integrated circuits due to very small dimensions and low pressure drop. They are perfectly interchangeable with flow restrictors, solenoid valves, manual and pneumatic operated valves and relief valves.

- Filtration level : 50 micron or better.
- Leakage : virtually zero



Pressione di lavoro max
350 bar

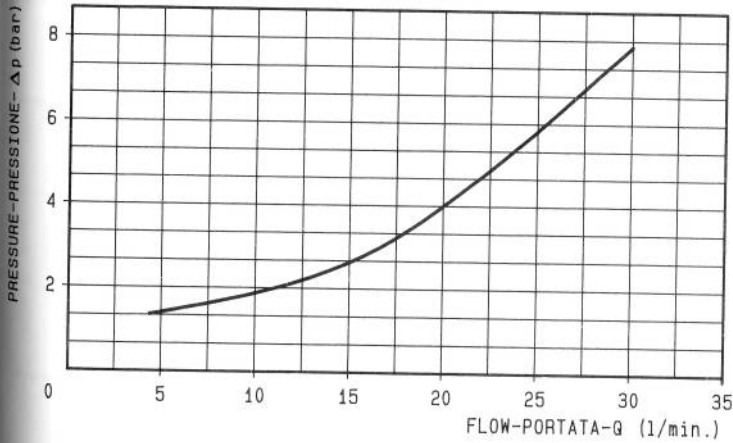
Portata max
30 l/min.

Peso Kg. 0.090

Max working pressure
350 bar

Flow max
30 l/min.

Weight Kg. 0.090



Z		MOLLE - SPRINGS			
	Inizio apertura Cracking pressure (bar)				
01	1				
05	5				
