

Directional control valves  
pneumatic operated poppet 2-way normally closed  
Special cavity, 017-E

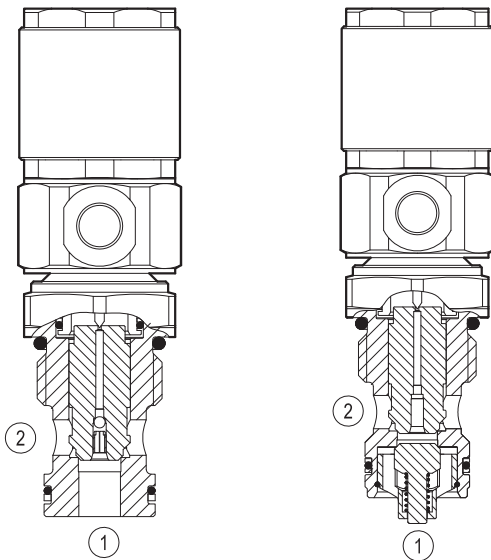
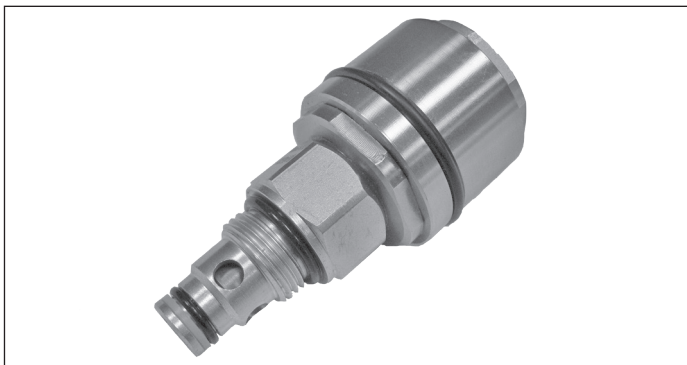
VPI-8A-2A-09-NC

OD.65 - X - 17.14.00

**RE 18326-74**

Edition: 01.2010

Replaces: 01.2006

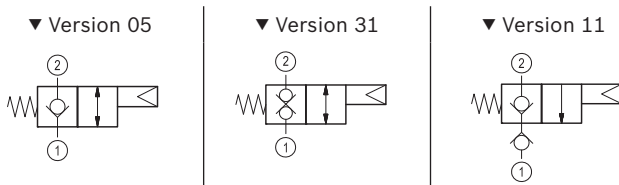


**Technical data**

General	
Weight	0.36 kg (0.79 lbs)
Installation orientation	Optional
Ambient temperature range	-30 to 60 °C (-22 to 140 °F)
Hydraulic	
Max. operating pressure	350 bar (5000 psi)
Max. flow	70 bar (19 psi)
Max. internal leakage	20 drops/min.
Fluid temperature range	-20 to 80 °C (-4 to 176 °F)
Fluids: Mineral-based or synthetics with lubricating properties at viscosities of 20 to 380 mm <sup>2</sup> /s (cSt)	
Installation torque	54 - 66 Nm (40 - 49 ft-lbs)
Recommended degree of fluid contamination	Nominal value max. 25 µm (NAS 8) ISO 4406 19/17/14
Special cavity	017-E see 18325-75
Lines bodies and standard assemblies	Please refer to section "Hydraulic integrated circuit" or consult factory
Seal kit – version 05-11	code RG17E201052010 material no. R934003562
Seal kit – version 31	code RG17E201053010 material no. R934003563
Other technical data	See data sheet 18350-50

**IMPORTANT:** When valve is not operated, flow from 1 to 2 is not recommended due to high opening pressure. (version 05)

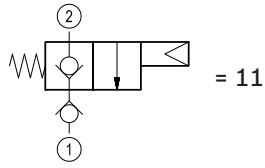
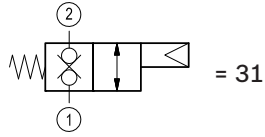
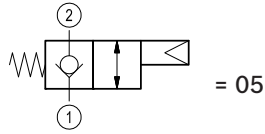
Pilot pressure	bar (psi)	Max. 15 (218)
	bar (psi)	Min. 4 (58)



**Ordering code**

<b>OD.65</b>	<b>X</b>	<b>17</b>	<b>14</b>	<b>00</b>
--------------	----------	-----------	-----------	-----------

Directional control valves  
pneumatic operated poppet 2-way  
normally closed



Special cavity: 017-E

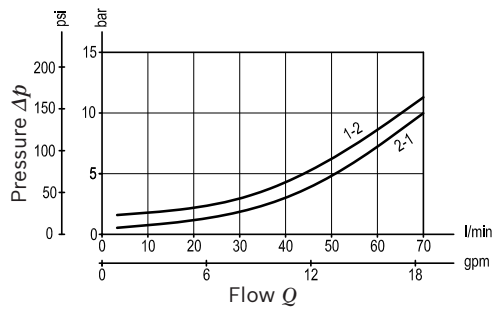
**Preferred types**

Type	Material number
OD650517140000	R934001444
OD653117140000	R934001457
OD651117140000	R934001454

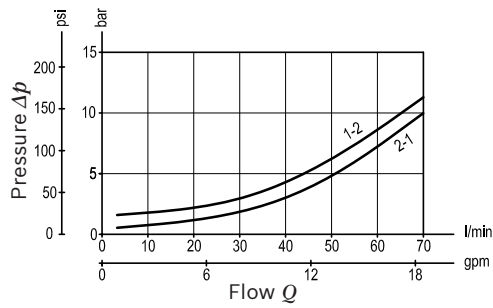
Type	Material number

**Characteristic curves**

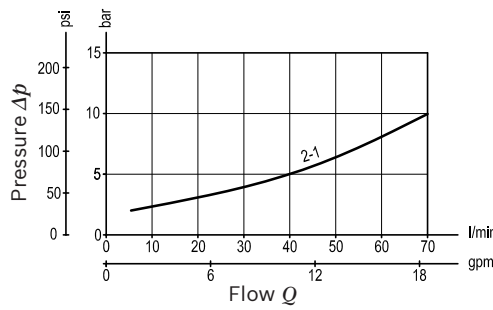
**Version 05**



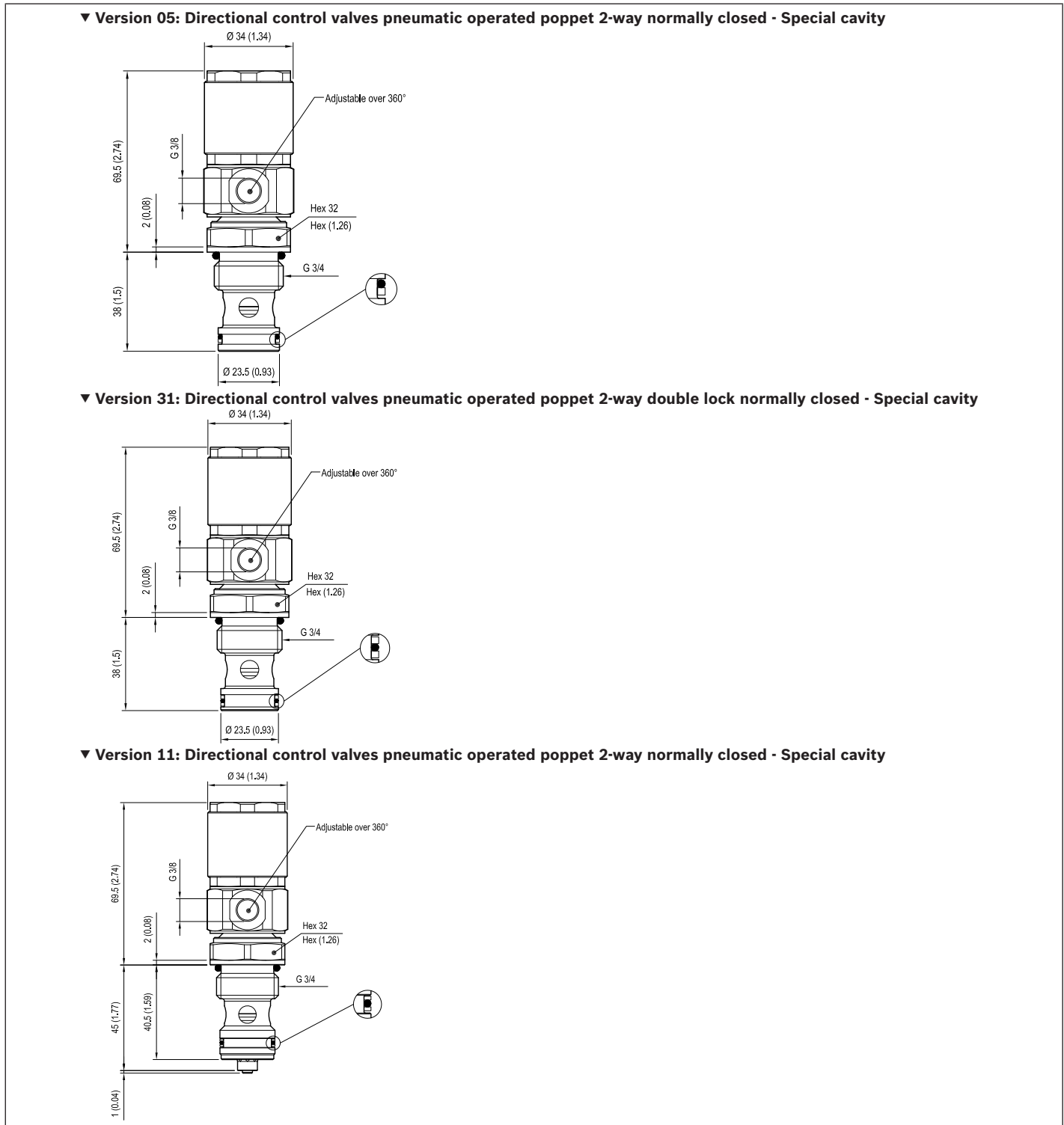
**Version 31**



**Version 11**



## Dimensions

**Bosch Rexroth Oil Control S.p.A.**

Via Leonardo da Vinci 5  
P.O. Box no. 5  
41015 Nonantola – Modena, Italy  
Tel. +39 059 887 611  
Fax +39 059 547 848  
compact-hydraulics-cv@boschrexroth.com  
www.boschrexroth.com/compacthydraulics

© This document, as well as the data, specifications and other information set forth in it, are the exclusive property of Bosch Rexroth Oil Control S.p.a.. It may not be reproduced or given to third parties without its consent. The data specified above only serve to describe the product. No statements concerning a certain condition or suitability for a certain application can be derived from our information. The information given does not release the user from the obligation of own judgment and verification. It must be remembered that our products are subject to a natural process of wear and aging. Subject to change.