

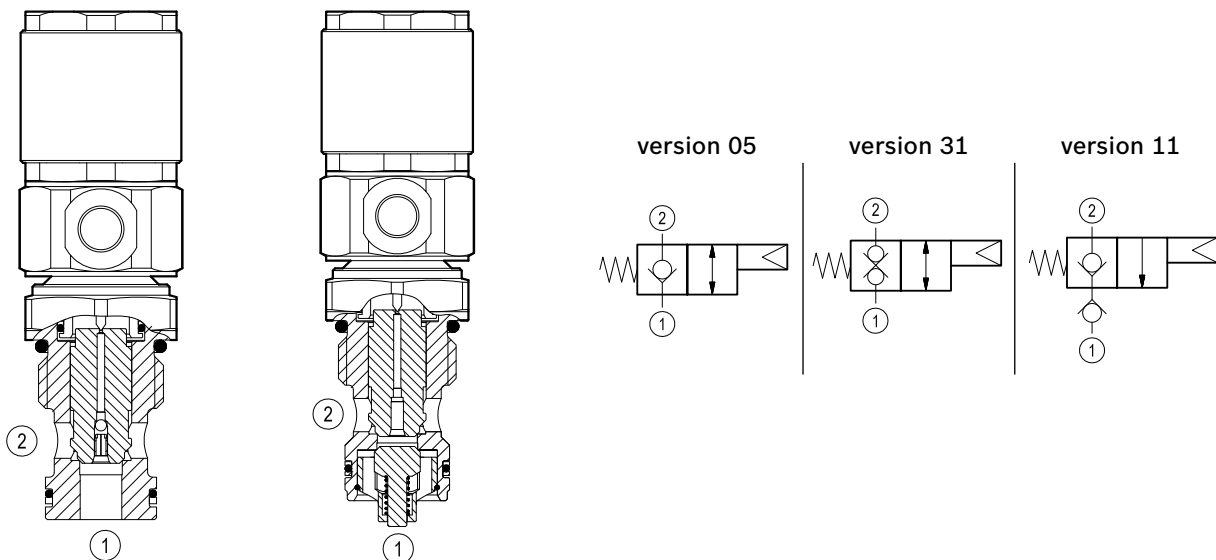
Directional control valves pneumatic operated poppet 2-way normally closed

Special cavity, 017-E



VPI-8A-2A-09-NC

OD.65 - X - 17.14.00



General

Weight	kg (lbs)	0.36 (0.79)
Installation orientation		Optional
Ambient temperature range	°C (°F)	-30 to 60 (-22 to 140)

Hydraulic

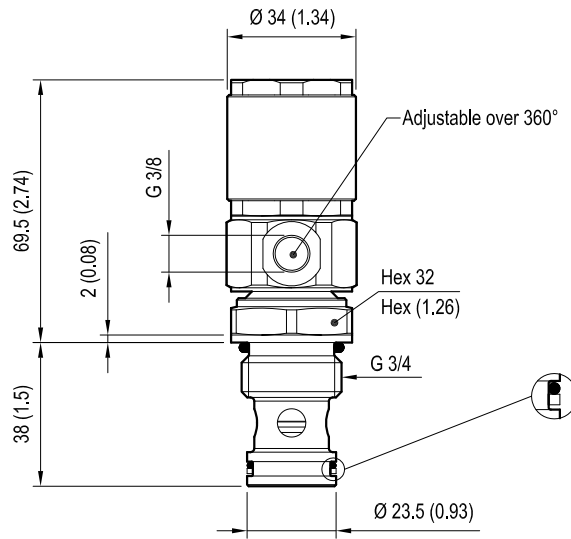
Max. operating pressure	bar (psi)	350 (5000)
Max. flow	l/min. (gpm)	70 (19)
Max. internal leakage	drops/min.	20
Fluid temperature range	°C (°F)	-20 to 80 (-4 to 176)
Fluids		Mineral-based or synthetics with lubricating properties at viscosities of 20 to 380 mm ² /s (cSt)
Installation torque	Nm (ft-lbs)	54-66 (40-49)
Filtration		Nominal value max. 25µm (NAS 8) ISO 4406 19/17/14
Special cavity		017-E see RE 18325-75
Seal kit - version 05-11	code material no.	RG17E201052010 R934003562
Seal kit - version 31	code material no.	RG17E201053010 R934003563
Other technical data		See data sheet RE 18350-50

IMPORTANT: When valve is not operated, flow from 1 to 2 is not recommended due to high opening pressure. (version 05)

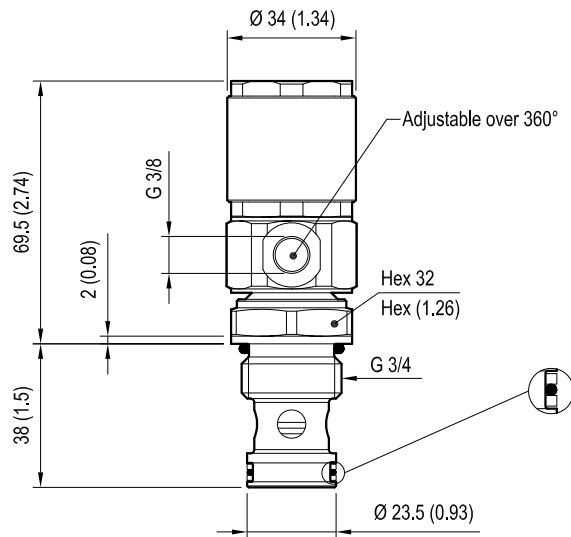
Pilot pressure	bar (psi)	Max. 15 (218)
	bar (psi)	Min. 4 (58)

Dimensions

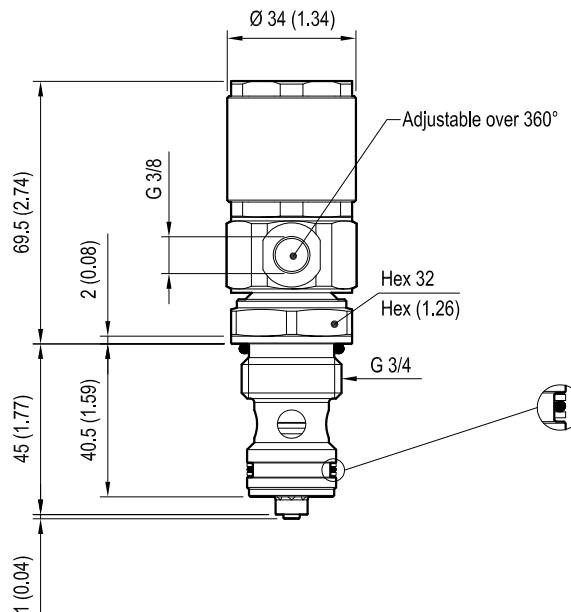
Version 05: Directional control valves pneumatic operated poppet 2-way normally closed - Special cavity



Version 31: Directional control valves pneumatic operated poppet 2-way double lock normally closed - Special cavity



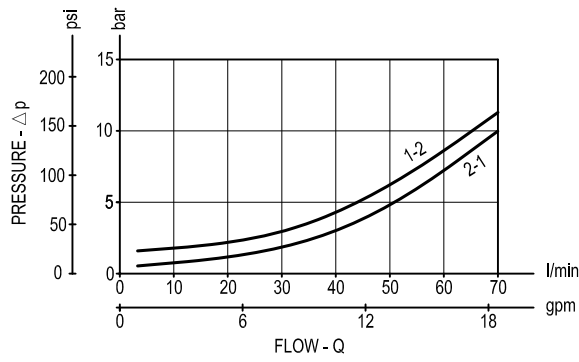
Version 11: Directional control valves pneumatic operated poppet 2-way normally closed - Special cavity



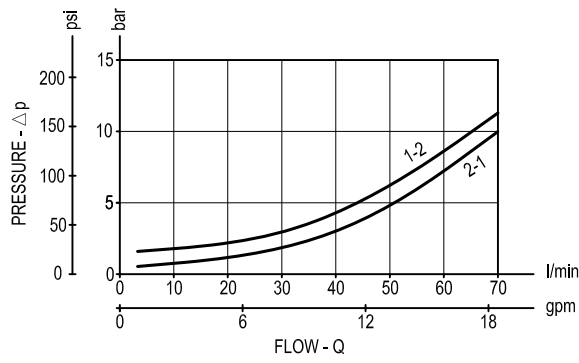
mm (Inches)

Performance graphs

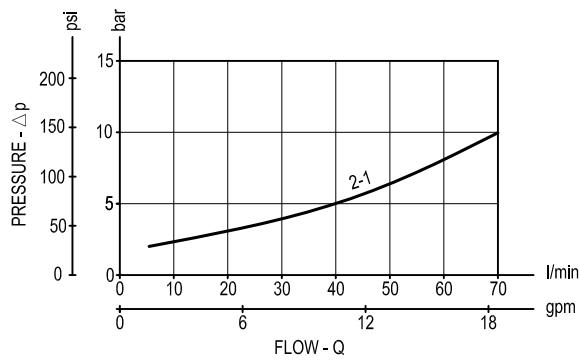
Version 05



Version 31



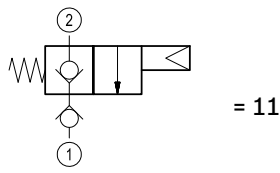
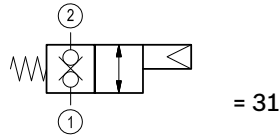
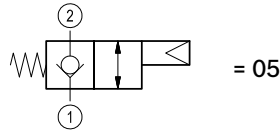
Version 11



Ordering code

OD.65	*	17	14	00
-------	---	----	----	----

Directional control valves
pneumatic operated
poppet 2-way normally
closed



Special cavity: 017-E

Type	Material number
OD650517140000	R934001444
OD653117140000	R934001457
OD651117140000	R934001454

Type	Material number