

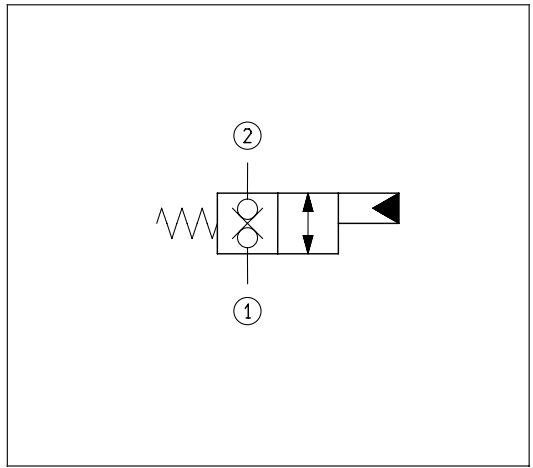
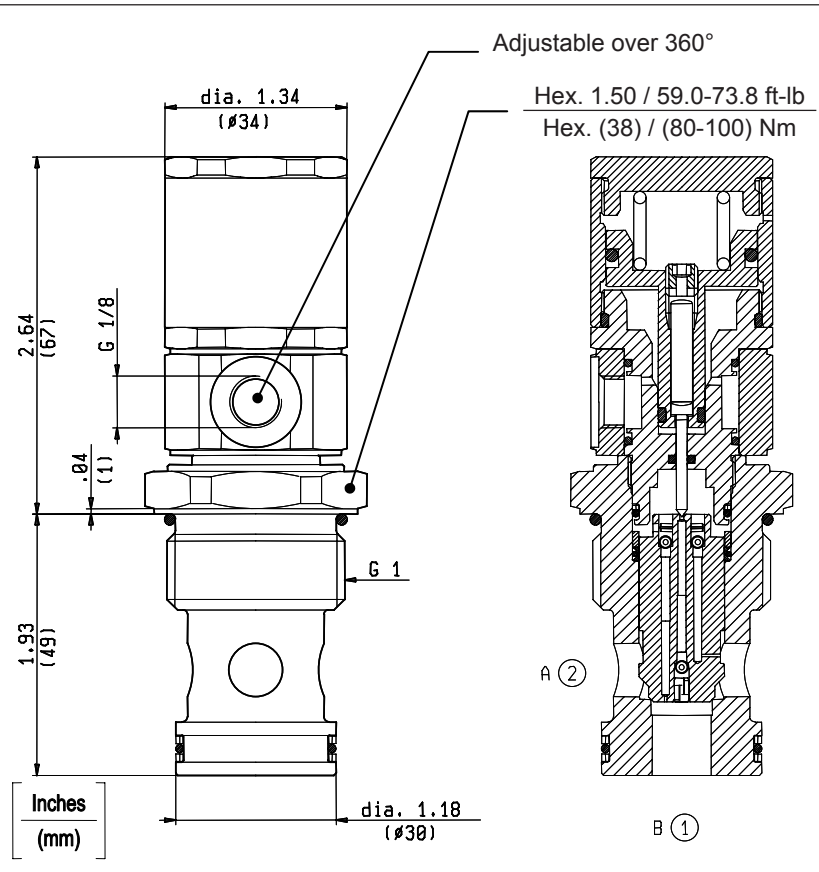


DIRECTIONAL CONTROL VALVES
HYDRAULIC OPERATED POPPET 2-WAY DOUBLE LOCK
NORMALLY CLOSED SPECIAL CAVITY

VOI-8A-2T-12-NC-S

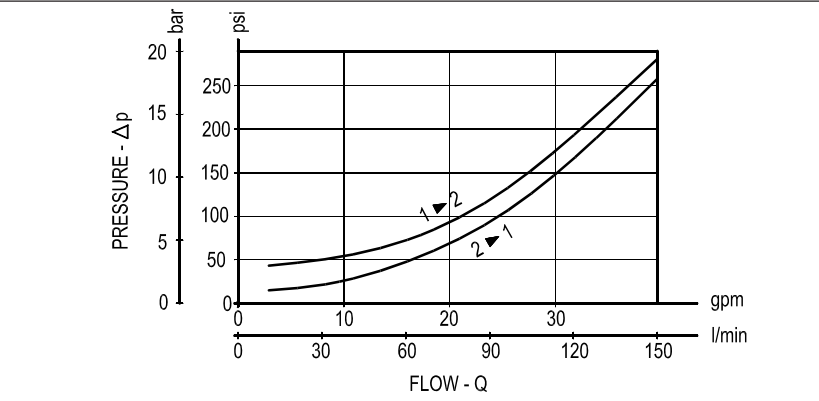
021-E

OD.75.31.21 - Y - 00



TECHNICAL DATA

Maximum Operating Pressure	5000 psi (350 bar)
Rated Flow	39 gpm (150 l/min)
Cavity - Tooling (021-E)	page CT.S.006.U
Line bodies	page MN2.S...
Weight	1.102 lbs (0.500 kg)
Fluids - Temperatures	page 7.01.040
Testing Conditions - Seals	page 7.01.040
Internal Leakage	page 7.01.040
Filtration : 25 m nominal or better	page 7.01.050
Mounting Position	unrestricted



Y	PILOT PRESSURE		
	MIN.	psi (bar)	MAX.
14	29-44 (2-3)		218 (15)
34	218-290 (15-20)		725 (50)