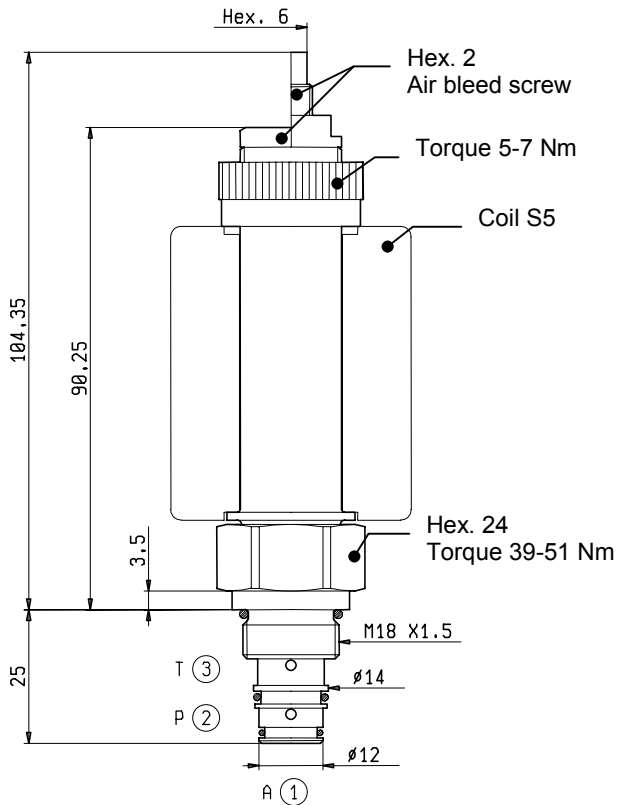


**PROPORTIONAL VALVES
DIRECT ACTING PRESSURE REDUCING
CARTRIDGE STYLE**

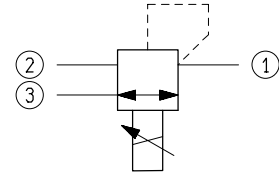


VEP-5A-3R-03

OD.91.01.81 - Y - 00

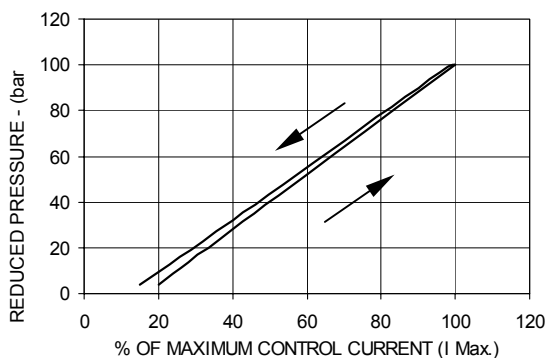
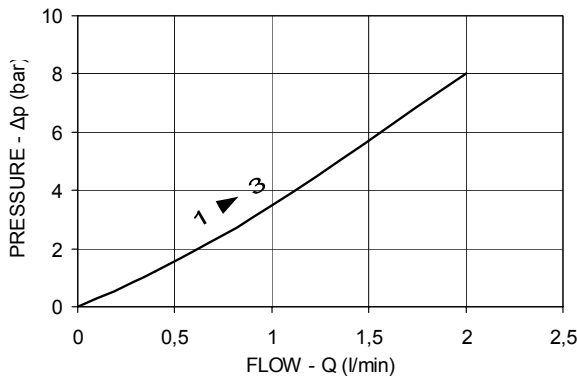


Allowed Back Pressure at port 3(T): 5 bar max.



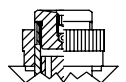
TECHNICAL DATA

Maximum Pressure inlet in 2	350	bar
Reduced Pressure in 1	4-100	bar
Rated Flow	2	l/min
I Max(±10%) for coil 12 V DC	2	A
I Min(±10%) for coil 12 V DC	0.3	A
Recommended PWM frequency	120-150	Hz
Cavity - Tooling (081-E)	page 7.01.150	
Weight	0.240	kg
Fluids - Temperatures	page 7.01.040	
Testing Conditions - Seals	page 7.01.040	
Internal leakage at 350 bar with 46 cst oil	Max.5	cm ³ /min
Filtration : 10 µm nominal or better	page 7.01.050	
Coils must be ordered separately	page 1.71.090	
Mounting Position	unrestricted	
N.B. It is recommended to bleed air carefully before operation.		



Y ORDERING OPTIONS

03 Standard



04 Knob Style Manual Override

