

Proportional valves 2-way double lock
normally closed
Special cavity, 019-E

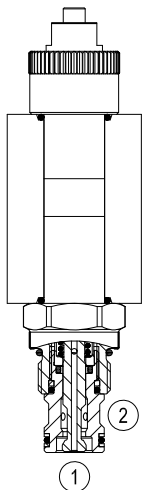
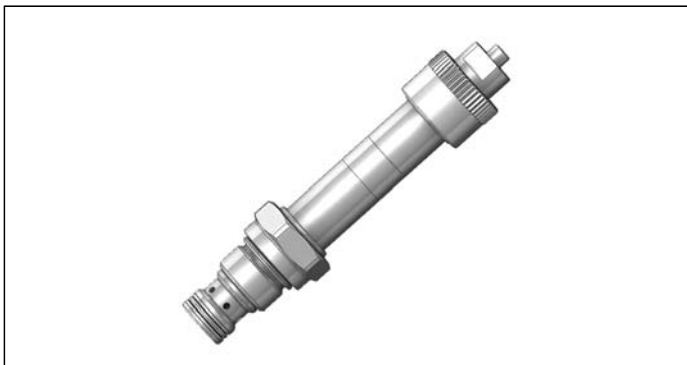
VEPN-19E-16

OD.95.31.19.54 - Y - 00

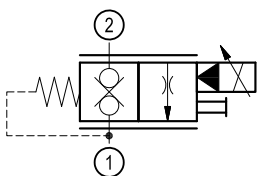
RE 18323-71

Edition: 03.2020

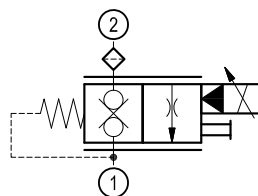
Replaces: 09.2019



▼ **Version 31**



▼ **Version 33**



Technical data

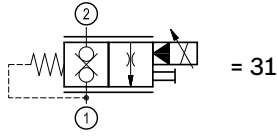
General	
Weight	0.20 kg (0.45 lbs)
Installation orientation	Optional
Ambient temperature range	-30 to 60 °C (-22 to 140 °F)
Salt spray test to DIN EN ISO 9227:2017-07	500h
Hydraulic	
Max. operating pressure	250 bar (3600 psi)
Flow range	5 - 20 l/min. (1.3 - 5 gpm)
Fatigue cycle life	1 million cycles at 250 bar
Max. internal leakage	1 cm ³ /min. (0.1 cu.in./min.)
Fluid temperature range	-20 to 80 °C (-4 to 176 °F)
Fluids: Mineral-based or synthetics with lubricating properties at viscosities of 15 to 380 mm ² /s (cSt)	
Installation torque	34 -41 Nm (25 - 30 ft-lbs)
Recommended degree of fluid contamination	Nominal value max. 10 µm (NAS 8) ISO 4406 19/17/14
Cavity	019-E see 18325-75
Lines bodies and standard assemblies	Please refer to section "Hydraulic integrated circuit" or consult factory
Seal kit	code R934003561 material no. RG19E201053010
Seal kit coil	code R934003962 material no. RG16A1PMVQ0010
Other technical data	See data sheet 18350-50
Electrical	
Type of voltage	DC voltage
Coil type	R7
Supply voltage	12 - 24 DC
Nominal voltage	± 10%
Power consumption	28 W
Duty cycle coil	100
Type of protection	See data sheet 18325-90
Note: Coils must be ordered separately	

Ordering code

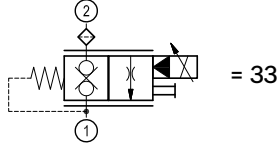
OD.95	31	19	54	*	00
--------------	-----------	-----------	-----------	----------	-----------

Proportional valves 2-way
double lock normally closed

monodirectional type

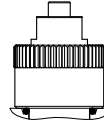


monodirectional type

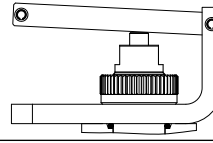


Special cavity: 019-E

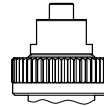
91 = Standard type (not suitable for lever option)



90 = Lever option for flexible cable included



00 = Standard type (suitable for lever option) *



* Lever must be ordered separately.

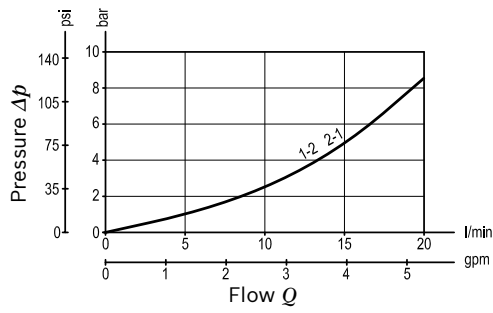
Preferred types

Type	Material number
OD953119549000	R930053668
OD953119549100	R930053669
OD953119540000	R934005238
OD953319540000	R930069905

Type	Material number

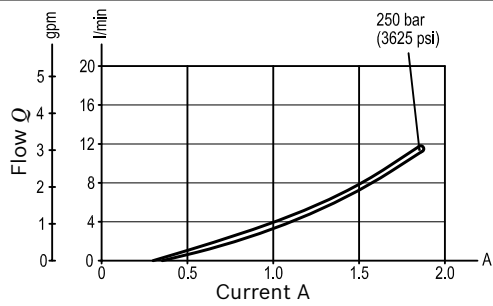
Characteristic curves

Wide open pressure drop



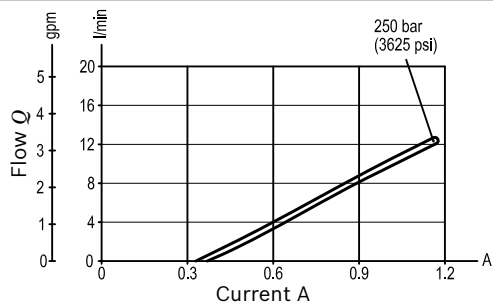
Flow vs. Current at various differential pressures

R7 12V
I max. 1.9A



P bar (psi)	I (A) min.
50 (725)	0.9 ± 0.1
150 (2175)	0.7 ± 0.1
250 (3625)	0.5 ± 0.1

R7 24V
I max. 0.950A

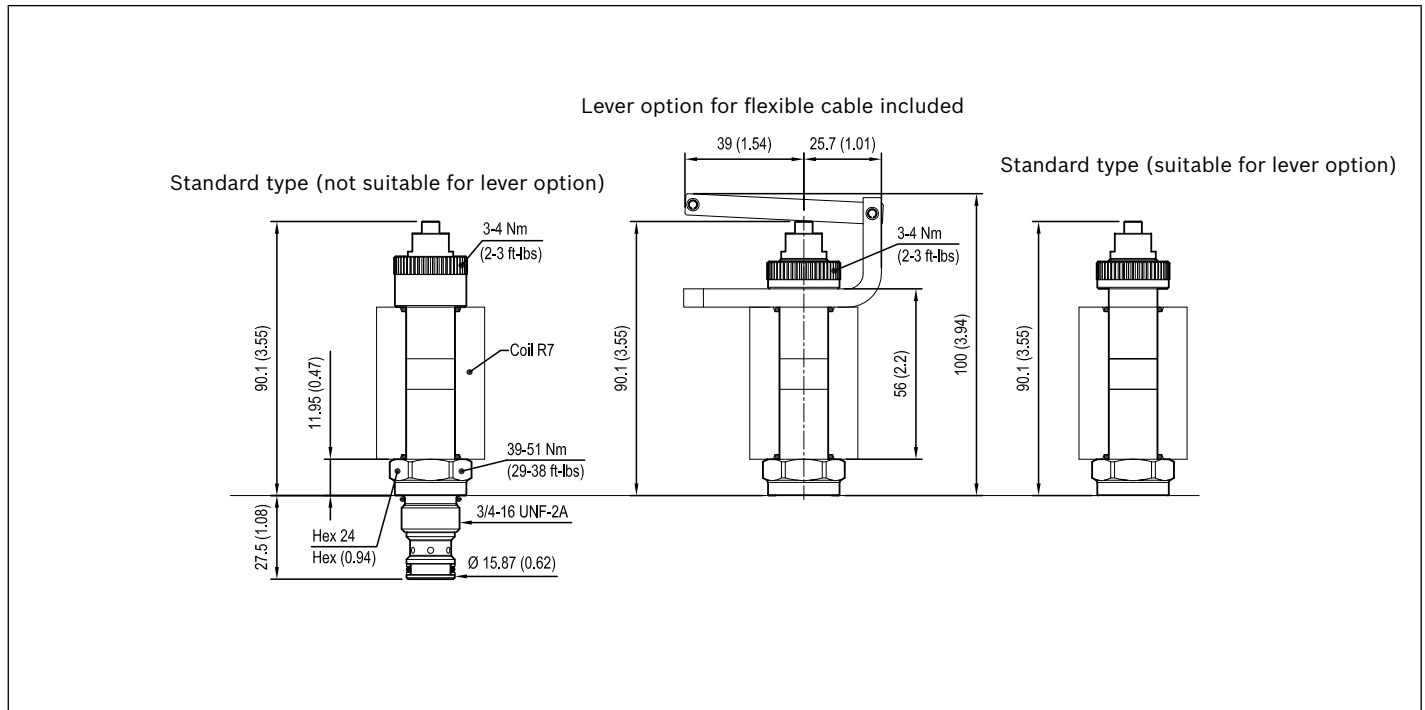


P bar (psi)	I (A) min.
50 (725)	0.55 ± 0.05
150 (2175)	0.45 ± 0.05
250 (3625)	0.35 ± 0.05

PMW Frequency: 120-150 Hz

Hysteresis: < 10%

Note: Performance using coil without diode.

Dimensions▼ **Proportional valves 2-way double lock****Bosch Rexroth Oil Control S.p.A.**

Via Leonardo da Vinci 5
P.O. Box no. 5
41015 Nonantola – Modena, Italy
Tel. +39 059 887 611
Fax +39 059 547 848
compact-hydraulics-cv@boschrexroth.com
www.boschrexroth.com/compacthydraulics

© This document, as well as the data, specifications and other information set forth in it, are the exclusive property of Bosch Rexroth Oil Control S.p.a.. It may not be reproduced or given to third parties without its consent. The data specified above only serve to describe the product. No statements concerning a certain condition or suitability for a certain application can be derived from our information. The information given does not release the user from the obligation of own judgment and verification. It must be remembered that our products are subject to a natural process of wear and aging. Subject to change.