

Solenoid operated valves

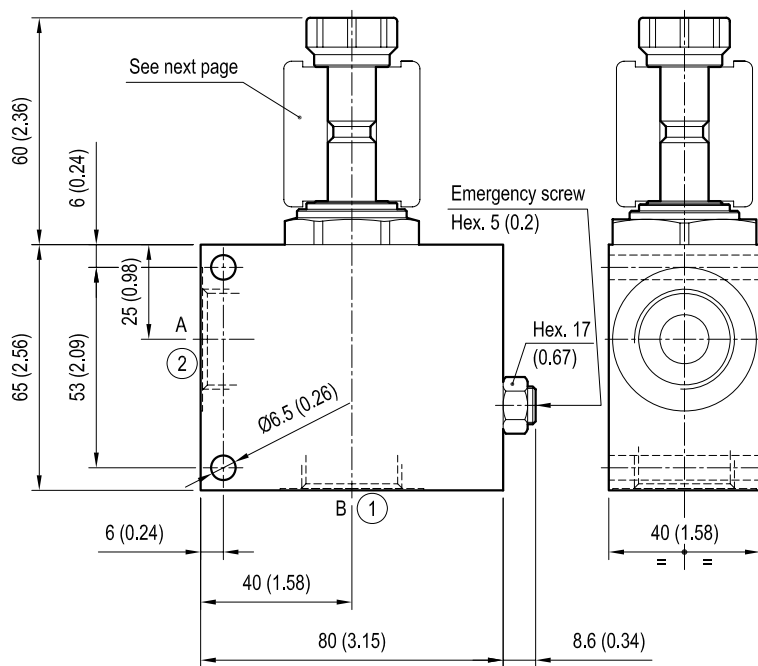
2-way 2-positions, normally closed

Special cavity in emergency manifold

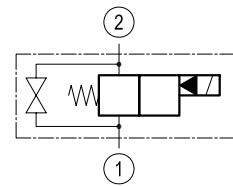
VEI-CE-8A-09

OE.15 - K - 17 - Y - Z - W

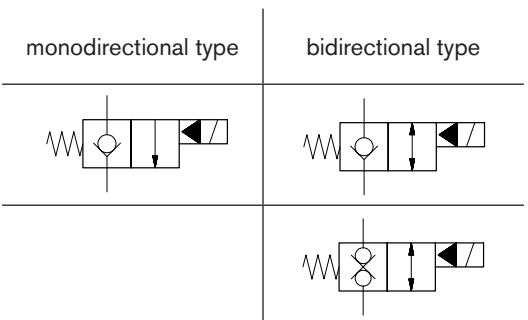
Dimensions



[mm (inches)]



Cartridge schemes

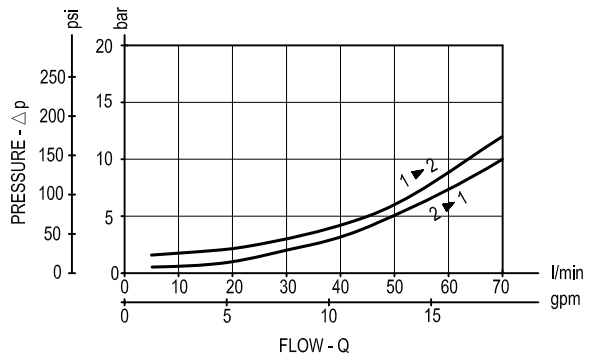


Technical data

| | | |
|---|----------------|------------|
| Max flow: | up to 70 l/min | (19 gpm) |
| Max operating pressure for steel body: | 350 bar | (5000 psi) |
| Max operating pressure for aluminium body: | 210 bar | (3000 psi) |

To order only manifold see data sheet RE 18325-85

Performance graph



Ordering code

| | | | | | |
|-------|---|----|---|---|---|
| OE.15 | K | 17 | Y | Z | W |
|-------|---|----|---|---|---|

Solenoid operated valve,
2-way 2-position, normally closed
in emergency manifold

Cartridge scheme (see page 1 and 2)

| | |
|------|-----------------|
| = 01 | Monodirectional |
| = 05 | Bidirectional |
| = 31 | |

Special cavity 017-E

Manifold material

| | |
|------|-----------|
| = 00 | Aluminium |
| = S0 | Steel |

Port sizes (see table on page 2)

| | |
|------|-------|
| = 03 | G 1/2 |
| = 04 | G 3/4 |

See table on page 2

Preferred types (readily available)

| Type | Material number |
|----------------|-----------------|
| OE1501173A0300 | R934001569 |
| OE1501173A0400 | R934001570 |
| OE1505173A0300 | R901204289 |
| OE1505173A0400 | R934001585 |
| OE1531173A0300 | R934001632 |
| OE1531173A0400 | R934001635 |
| | |
| | |
| | |
| | |
| | |
| | |
| | |
| | |
| | |
| | |
| | |
| | |
| | |

| Type | Material number |
|------|-----------------|
| | |
| | |
| | |
| | |
| | |
| | |
| | |
| | |
| | |
| | |
| | |
| | |
| | |
| | |
| | |
| | |
| | |

Further types available by request