

Solenoid operated valves 2-way 2-positions normally closed  
Special cavity  
Cartridge style in emergency manifold

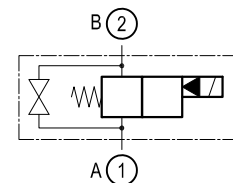
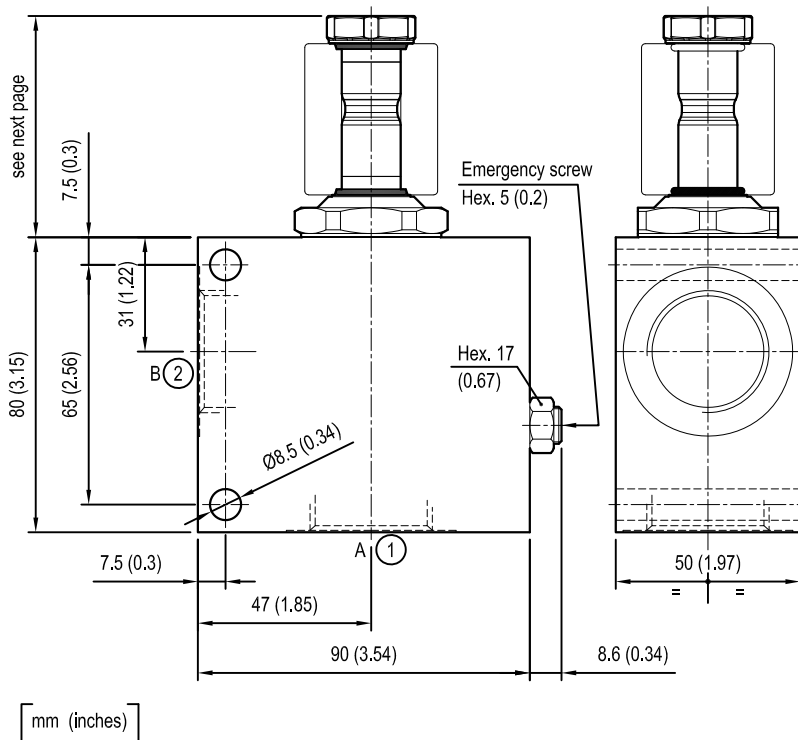
**RE 18332-06**

Edition: 06.2021

Replaces: 01.2019

VEI-CE-16-021-NC

OE.15 - K - 21 - X - Y - Z - W

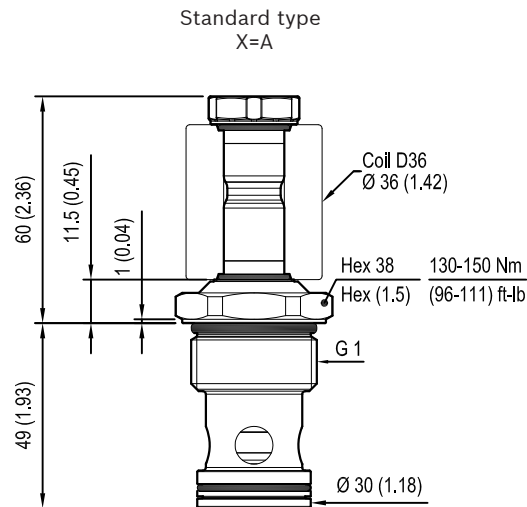


**Cartridge schemes (K)**

monodirectional type	bidirectional type
01	05
	31

**Technical data**

Max. flow	up to 150 l/min (40 gpm)
Max. operating pressure for steel body	350 bar (5000 psi)
Max operating pressure for aluminium body	210 bar (3000 psi)
Ambient temperature range	-30 to 90 °C (-22 to 194 °F)
Fluids: Mineral-based or synthetics with lubricating properties at viscosities of 20 to 380 mm <sup>2</sup> /s (cSt)	
MTTFd	150 years see RE 18350-51
To order manifold only, see data sheet RE 18325-85	
Other technical data	See data sheet 18350-50



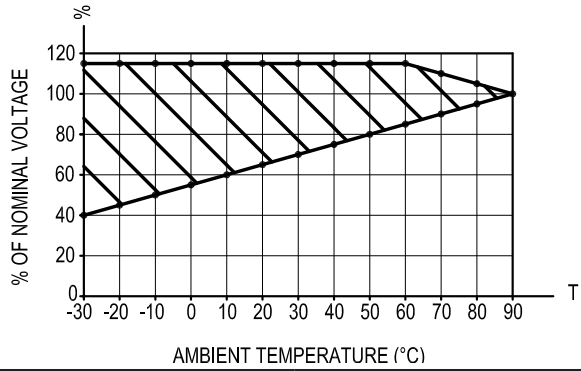
### Cartridge technical data

General	
Installation orientation	Unrestricted
Ambient temperature range	-30 to 90 °C (-22 to 194 °F)
Hydraulic	
Max. operating pressure	350 bar (5000 psi)
Flow range	5 - 150 l/min (1 - 40 gpm)
Max. internal leakage	20 drops/min.
Switching time	Closing $\leq$ 100 ms
	Opening $\leq$ 50 ms
Fluid temperature range	-20 to 80 °C (-4 to 176 °F)
Fluids: Mineral-based or synthetics with lubricating properties at viscosities of 20 to 380 mm <sup>2</sup> /s (cSt)	
Installation torque	130 - 150 Nm (96 - 111 ft-lbs)
Recommended degree of fluid contamination	Nominal value max. 10 $\mu$ m (NAS 8) ISO 4406 19/17/14
MTTFd	150 years see RE 18350-51
Special cavity	021-E see data sheet 18325-75
Other technical data	See data sheet 18350-50

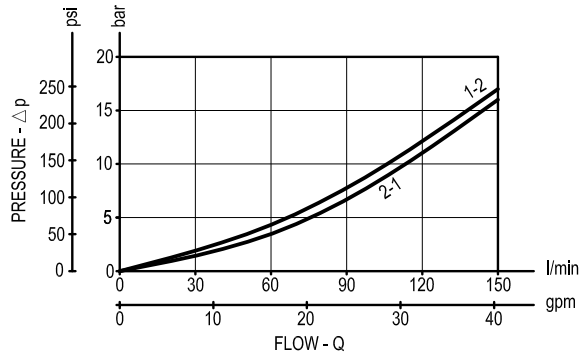
Electrical	
Type of voltage	DC voltage
Coil type	D36
Supply voltage	See data sheet 18325-90
Voltage tolerance against ambient temperature	See characteristic curve
Power consumption	20 W
Type of protection	See data sheet 18325-90
Note: Coils must be ordered separately	

Characteristic curves

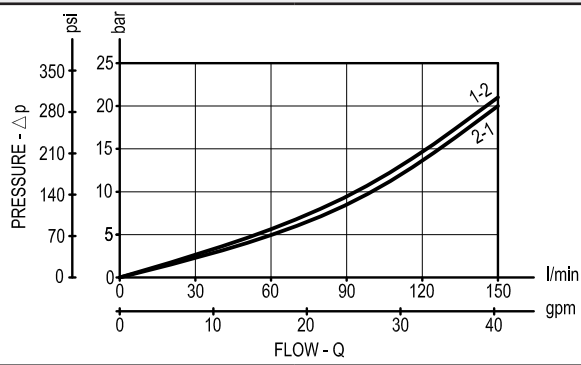
All Versions - Admissible supply voltage Vs. Ambient temperature at 100% duty cycle



Versions 01,05



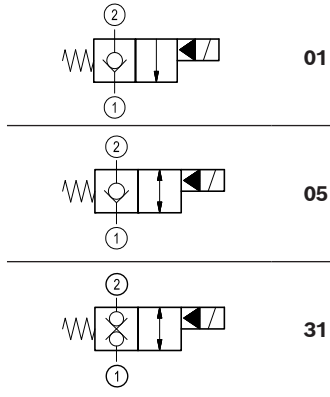
Version 31



Ordering code

<b>OE.15</b>	<b>K</b>	<b>21</b>	<b>X</b>	<b>Y</b>	<b>Z</b>	<b>W</b>
--------------	----------	-----------	----------	----------	----------	----------

Solenoid operated valves  
 2-way2-positionsnormallyclosed  
 Special cavity  
 Cartridge style  
 in emergency manifold



**Manifold material**

**00** Aluminium

**S0** Steel

**Manifold port sizes**

**05** G 1

**Cartridge seals and accessories options**

**0** = With buna seal

**V** = With Viton seal

**Cartridge options**

**A** = Standard

Special cavity 021-E

**Bosch Rexroth Oil Control S.p.A.**

Via Leonardo da Vinci 5  
 P.O. Box no. 5  
 41015 Nonantola – Modena, Italy  
 Tel. +39 059 887 611  
 Fax +39 059 547 848  
 compact-hydraulics-hic@boschrexroth.com  
 www.boschrexroth.com/compacthydraulics

© This document, as well as the data, specifications and other information set forth in it, are the exclusive property of Bosch Rexroth Oil Control S.p.a.. It may not be reproduced or given to third parties without its consent. The data specified above only serve to describe the product. No statements concerning a certain condition or suitability for a certain application can be derived from our information. The information given does not release the user from the obligation of own judgment and verification. It must be remembered that our products are subject to a natural process of wear and aging. Subject to change.