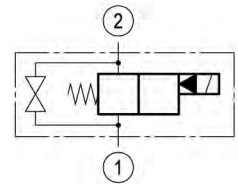
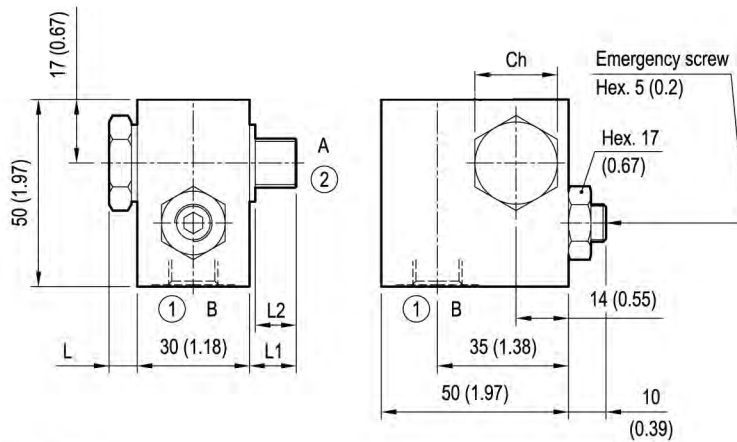


OE170009

Dimensions



mm (inches)

7.5 (0.3)	14 (0.55)	10.9 (0.43)	22 (0.87)			G 1/4	30 (22)
L	L1	L2	Ch			Ports Size	Tightening Torque Nm (ft-lb)

Technical data

Max flow: up to 40 l/min (11 gpm)

Max operating pressure for aluminium body: 210 bar (3000 psi)