

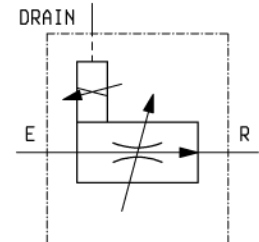
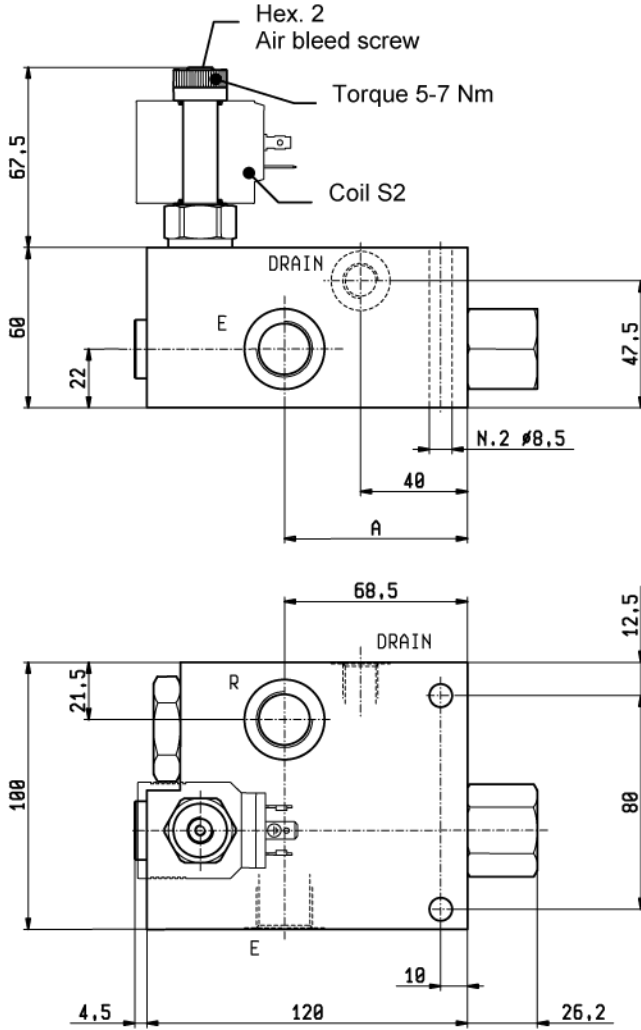


**PROPORTIONAL VALVES
2-WAY PRESSURE COMPENSATED FLOW REGULATORS**



VRFC216-VEP-2A

OL.92.01 - X - 00.00.0A

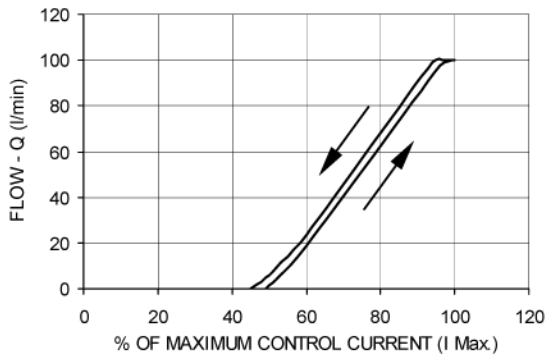
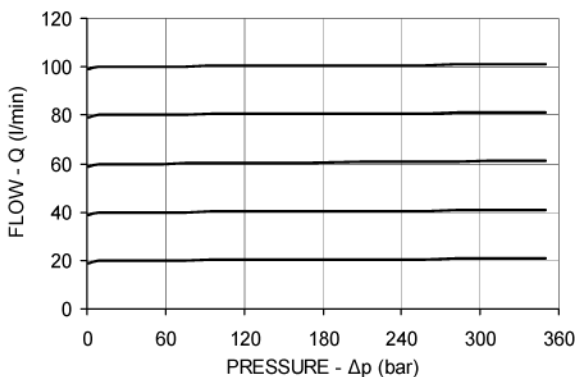


TECHNICAL DATA

Maximum Operating Pressure	350	bar
Rated Flow "E" Port	100	l/min
Weight	5.6	kg
Fluids - Temperatures	page 7.01.040	
Testing Conditions - Seals	page 7.01.040	
Filtration : 10 µm nominal or better	page 7.01.050	
Minimum Voltage Required	90% of nominal	
Coil must be ordered separately	page 1.71.030	

Steel manifolds for working pressures up to 350 bar and for fatigue cycle applications.

See sheet 4.31.010 for curves, features and functional details of VEP-2A-3R-03 proportional pressure reducing cartridge valves.



X	PORT SIZE		A		
	E-R	DRAIN			
03	G 1/2	G 1/4	68.5		
04	G 3/4	G 1/4	71		