

RE 18332-40/12.09  
 Replaces: RE 00199/11.07

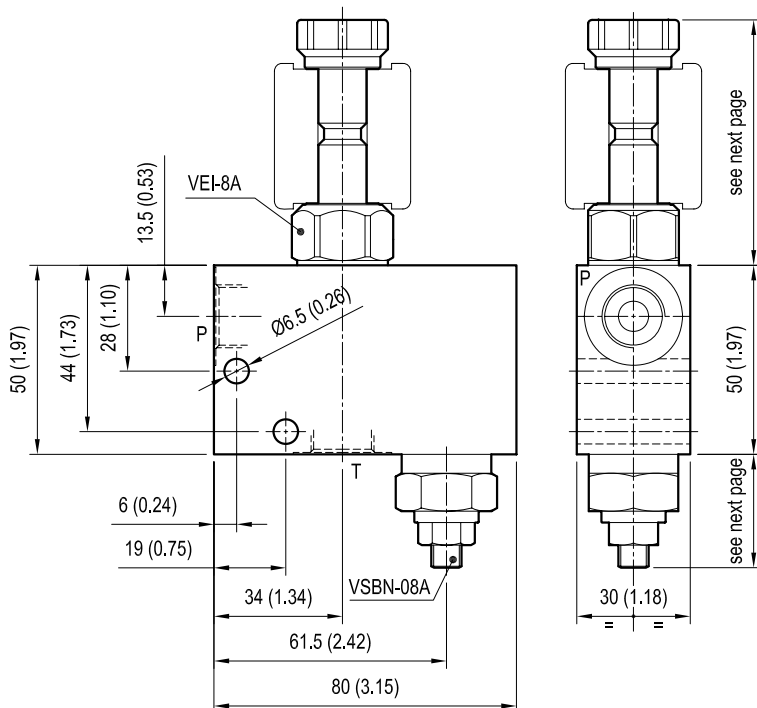
1/4

# Standard integrated circuits relief valve with solenoid by-pass

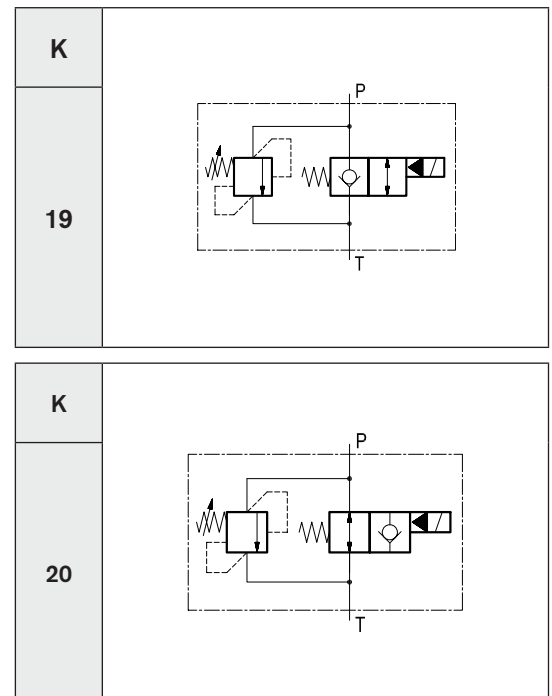
VEI8A-VSBN-08A

OL - K - Y - Z - W - 00

## Dimensions



[ mm (inches) ]



## Technical data

Max flow: up to 20 l/min (5 gpm)

Max operating pressure: 210 bar (3000 psi)

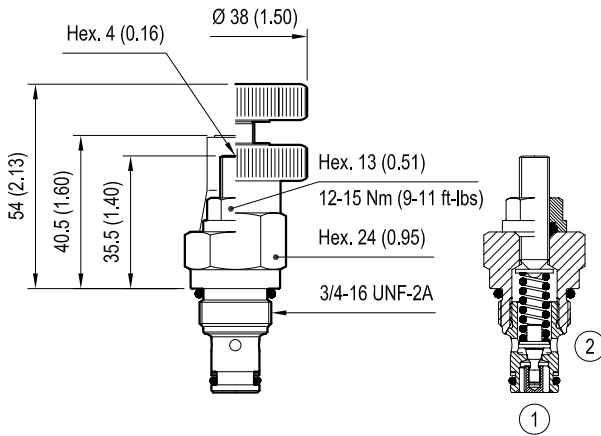
Standard manifolds in high strength **aluminium**.

For working pressure up to 350 bar (5000 psi) and for fatigue applications with any working pressure, steel manifolds are available upon request.

Weight: 0.5 kg (1.1 lbs)

These integrated circuit contains one relief valve type VSBN-08A operating from P to T and one solenoid valve type VEI-8A (see next page).

**VSBN-08A Cartridge valve (code 04.11.49.X.56.Z)**



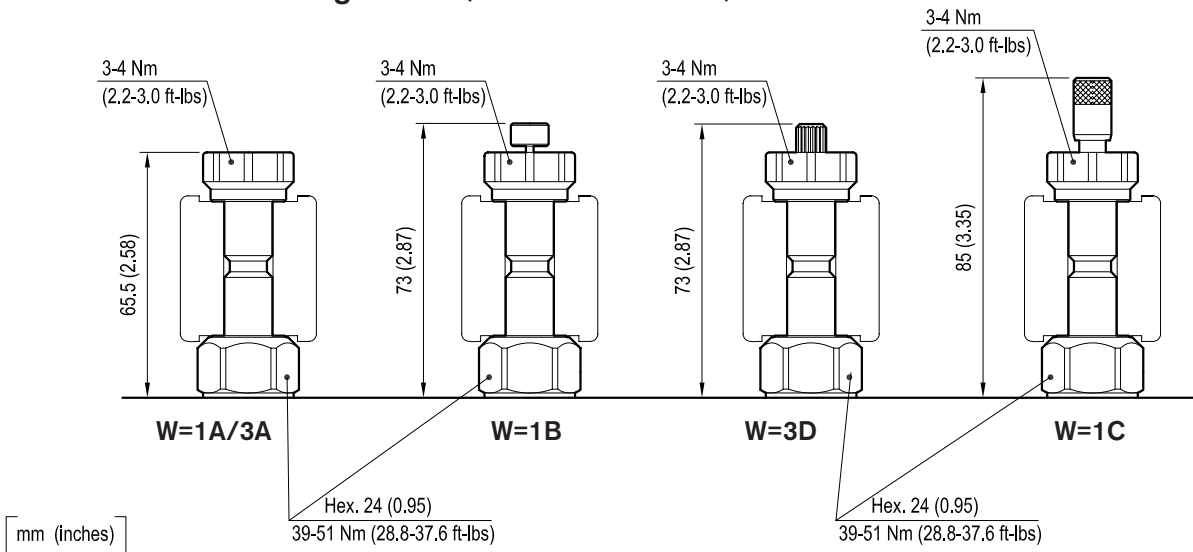
Z		VSBN-08A SETTING		
		Adj. pressure range bar (psi)	Press. increase bar/turn (psi/turn)	Std. setting bar (psi) (Q=5 l/min)
	<b>04</b>	35-140 (500-2000)	50 (725)	100 (1450)
	<b>07</b>	105-210 (1500-3000)	79 (1145)	200 (2900)
	<b>10</b>	175-350 (2500-5000)	170 (2465)	350 (5000)
	<b>08</b>	35-350 (500-5000)	72 (1044)	200 (2900)

ADJUSTMENTS		OPTIONS
Leakproof hex. socket screw		 Ordering code 11.04.23.002
Handknob and locknut		

VSBN-08A TECHNICAL DATA
See table "Z", for other details see data sheet RE 18318-04

mm (inches)

**VEI-8A Solenoid cartridge valve (code OD.15.K.18...)**

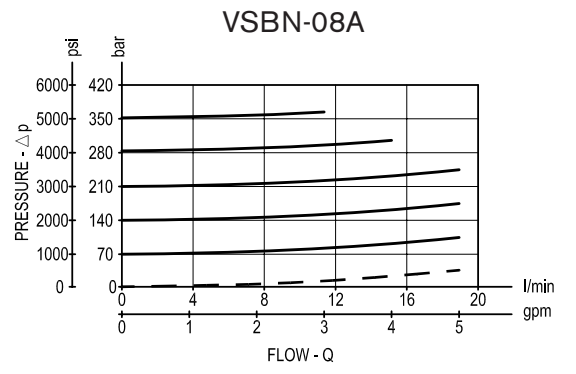
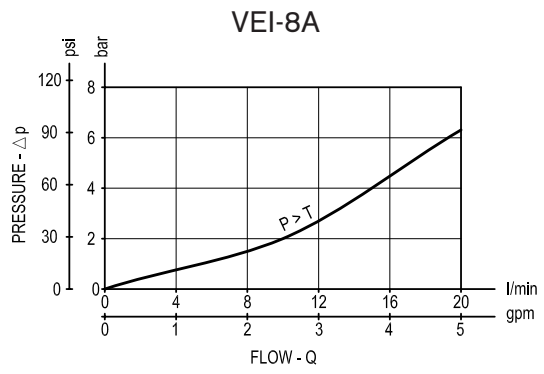


mm (inches)

W	MANUAL OVERRIDE OPTIONS	
	K = 19	K = 20
<b>1A</b>	/	No override
<b>1B</b>	/	Push style
<b>1C</b>	/	Push and twist style
<b>3A</b>	No override	/
<b>3D</b>	Knob style	/

VEI-8A TECHNICAL DATA
Internal leakage: max. 1 cm <sup>3</sup> /min (0.06 inch <sup>3</sup> /min)
Filtration: 25 µm nominal or better
Minimum voltage required: 90% of nominal value
Coil: S8-356 ( <b>must be ordered separately</b> ) (see data sheet RE 18325-90)
For other details see cartridge data sheet

Performance graphs



## Ordering code

OL	K	Y	Z	W	00
----	---	---	---	---	----

Solenoid operated valves  
standard integrated circuits  
relief valve with solenoid by-pass

Hydraulic schemes (see page 1)

Port sizes	P - T	
= 09	G 1/4	
= 02	G 3/8	

Manual override options  
(see table on page 2)

VSBN-80A setting  
(see table on page 2)

## Preferred types (readily available)

Type	Material number
OL1909043A0000	R934002544
OL1909073A0000	R934002545
OL1909103A0000	R934002546
OL1902043A0000	R934002529
OL1902073A0000	R934002530
OL1902073D0000	R934003301
OL1902103A0000	R934002532
OL2009041A0000	R934002560
OL2009041B0000	R934002561
OL2009071A0000	R934002563
OL2009071C0000	R934002565
OL2009101A0000	R934002567
OL2002041A0000	R934002547
OL2002041B0000	R934002548
OL2002071A0000	R934002549

Type	Material number
OL2002071C0000	R934002550
OL2002101A0000	R934002551

Further types available by request