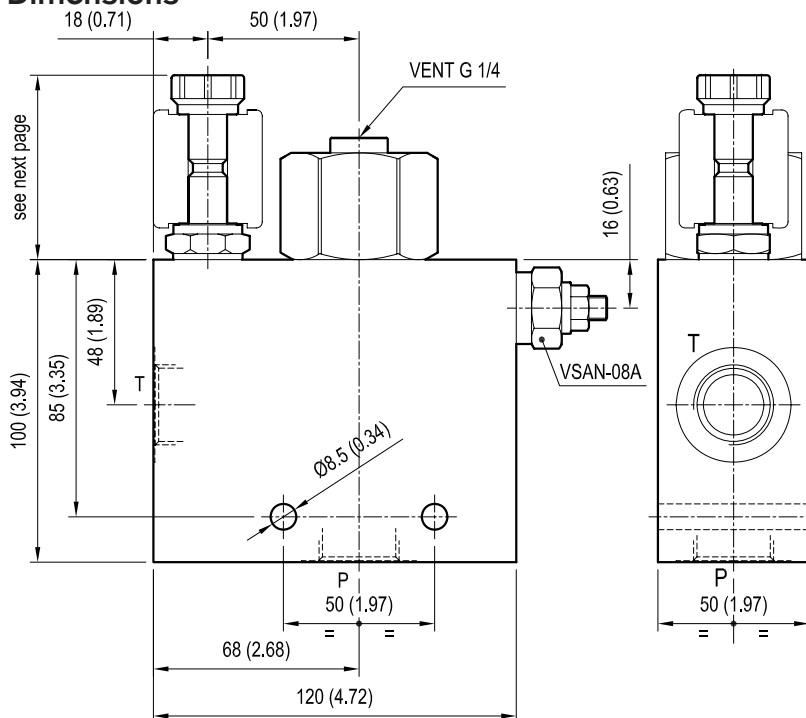


Standard integrated circuits solenoid operated ventable relief valve

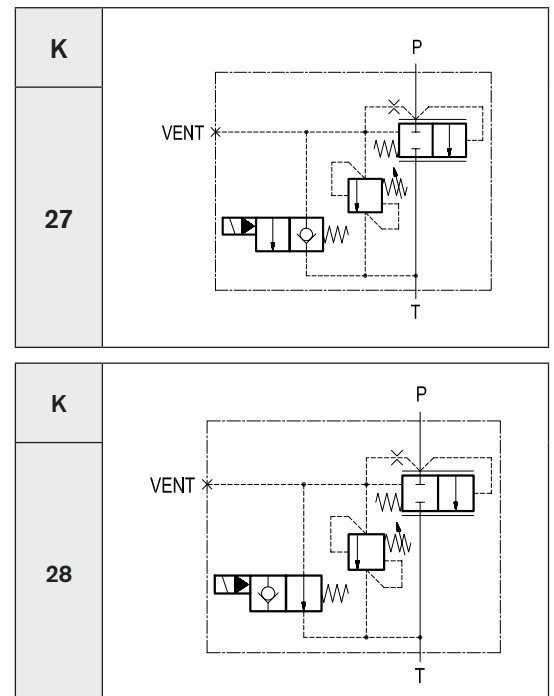
VSP-19-VEI8A

OL - K - Y - Z - W - 00

Dimensions



[mm (inches)]



Technical data

Max flow: up to 200 l/min (53 gpm)

Max operating pressure: 210 bar (3000 psi)

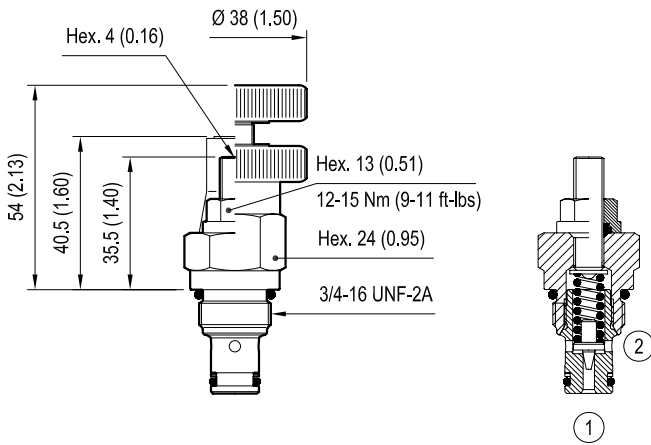
Standard manifolds in high strength **aluminium**.

For working pressure up to 350 bar (5000 psi) and for fatigue applications with any working pressure, steel manifolds are available upon request.

Weight: 1.3 kg (2.9 lbs)

These integrated circuit contains one relief valve type VSAN-08A operating from P to T and one solenoid valve type VEI-8A (see next page).

VSAN-08A Cartridge valve (code 04.11.48.X.56.Z)



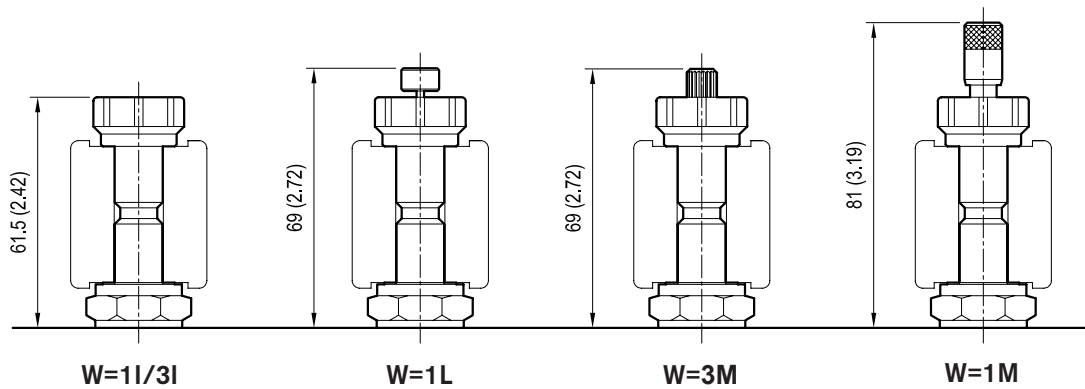
Z		VSAN-08A SETTING		
		Adj. pressure range bar (psi)	Press. increase bar/turn (psi/turn)	Std. setting bar (psi) (Q=5 l/min)
	01	35-140 (500-2000)	48 (696)	100 (1450)
	04	105-210 (1500-3000)	88 (1276)	200 (2900)
	07	140-420 (2000-6000)	140 (2030)	350 (5000)
	08	35-350 (500-5000)	68 (986)	350 (5000)

ADJUSTMENTS		OPTIONS
Leakproof hex. socket screw		 Ordering code 11.04.23.002
Handknob and locknut		

VSAN-08A TECHNICAL DATA
See table "Z", for other details see data sheet RE 18318-01

[mm (inches)]

VEI-8A Solenoid cartridge valve (code OD.15.K.18...)

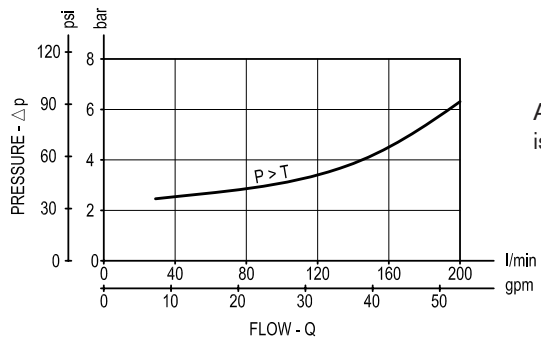


[mm (inches)]

W	MANUAL OVERRIDE OPTIONS	
	K = 27	K = 28
1I	/	No override
1L	/	Push style
1M	/	Push and twist style
3I	No override	/
3M	Knob style	/

VEI-8A TECHNICAL DATA		
Internal leakage:	100 cm ³ /min	(0.06 inch ³ /min)
Filtration:	25 µm nominal or better	
Minimum voltage required:	90% of nominal value	
Coil:	S8-356 (must be ordered separately) (see data sheet RE 18325-90)	
For other details see cartridge data sheet		

Performance graph



A pressure of approximately 2 bar (29 psi) is required to open the main poppet.

Ordering code

OL	K	Y	Z	W	00
----	---	---	---	---	----

Solenoid operated valves
standard integrated circuits
solenoid operated ventable
relief valve

Hydraulic schemes (see page 1)

Manual override options
(see table on page 2)

Port sizes	P - T	
= 04	G 3/4	
= 05	G 1	

VSAN-80A setting
(see table on page 2)

Preferred types (readily available)

Type	Material number
OL2704073I00S0	R934001289
OL2804011I0000	R934002573
OL2804041I0000	R934002578
OL2804041L0000	R934002579
OL2804041M0000	R934003303
OL2804071I0000	R934002586
OL2804071M0000	R934002588
OL2805011L0000	R934002590
OL2805041I0000	R934002594
OL2805041L0000	R934002595
OL2805041M0000	R934002596
OL2805071I0000	R934002600
OL2805081L0000	R934002601

Type	Material number
OL2805071A0000	R934002599

Further types available by request