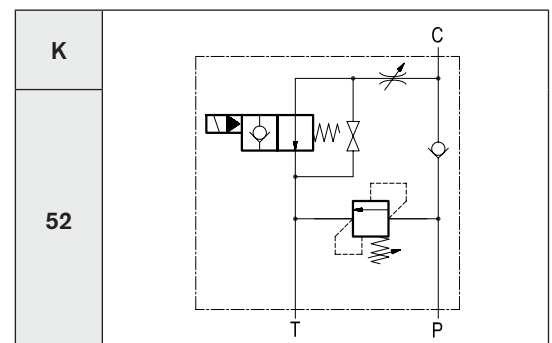
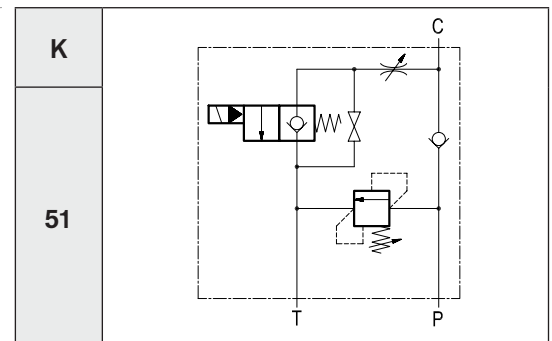
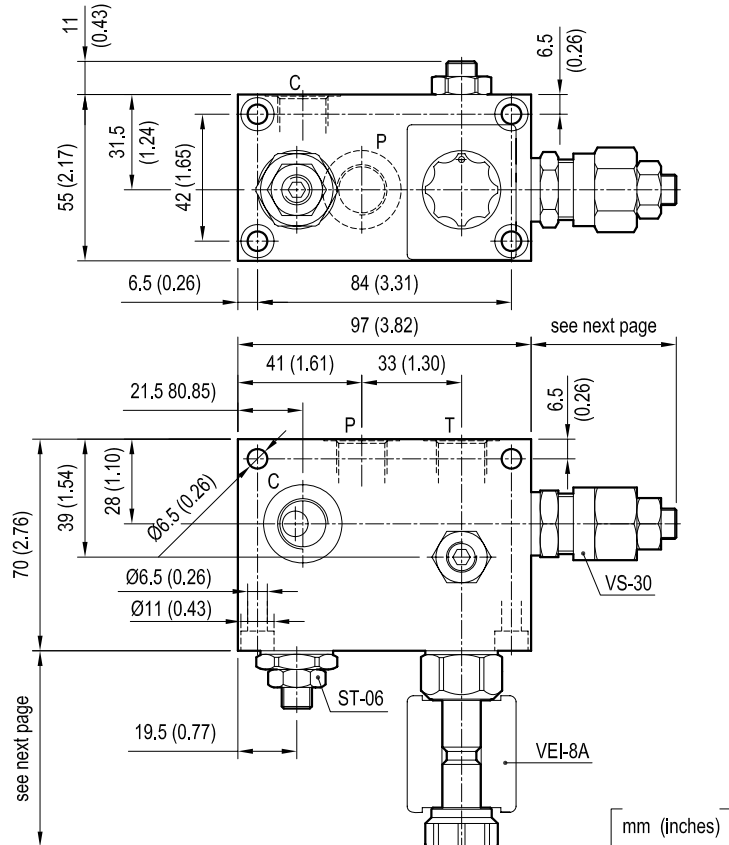


Standard integrated circuits for single-acting cylinder

VEI8A-VU-VS-ST-06

OL - K - Y - Z - W - 00

Dimensions



Technical data

Max flow: up to 25 l/min (7 gpm)

Max operating pressure: 210 bar (3000 psi)

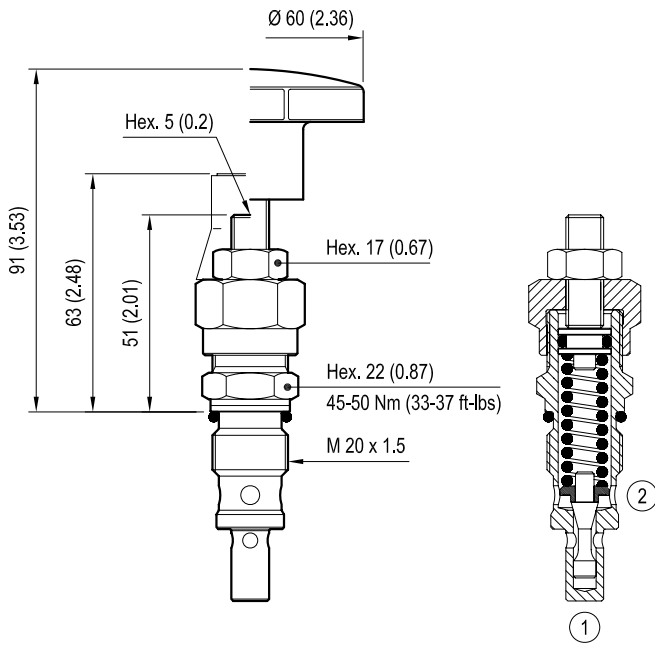
Standard manifolds in high strength **aluminium**.

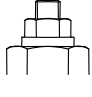
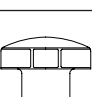
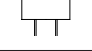


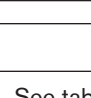
For working pressure up to 350 bar (5000 psi) and for fatigue applications with any working pressure, steel manifolds are available upon request.


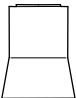
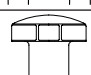
Weight: 1.3 kg (2.9 lbs)

These integrated circuit contains one relief-valve type VS-30 operating from P to T and one solenoid valve type VEI-8A (see next page).

VS30 Cartridge valve (code 04.11.18.X.99.Z)



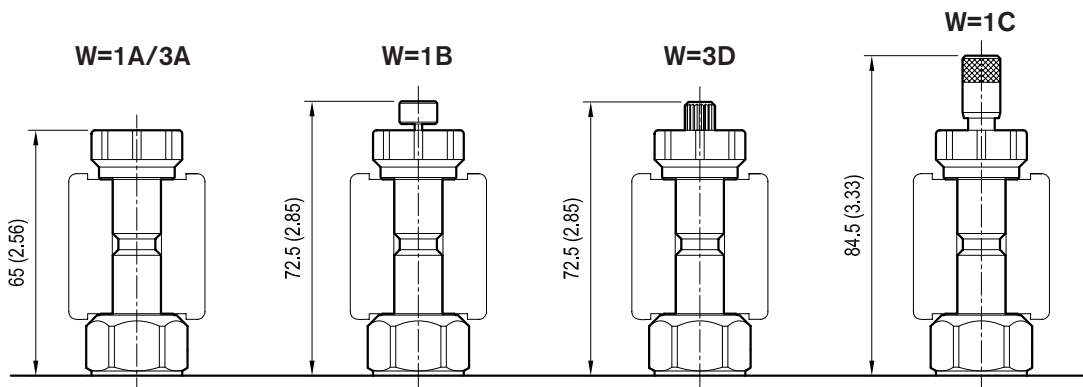
Z	VS-30 SETTING		
	Adj. pressure range bar (psi)	Press. increase bar/turn (psi/turn)	Std. setting bar (psi) (Q=5 l/min)
 04	30-100 (435-1450)	24 (348)	100 (1450)
 07	50-210 (725-3000)	47 (682)	200 (2900)
 10	100-350 (1450-5000)	82 (1189)	350 (5000)
 05	30-100 (435-1450)	24 (348)	100 (1450)
 08	50-210 (725-3000)	47 (682)	200 (2900)
 11	100-350 (1450-5000)	82 (1189)	350 (5000)

ADJUSTMENTS		OPTIONS
Leakproof hex. socket screw		 Tamper resistant cap 11.04.23.003
Handknob and locknut		

VS-30 TECHNICAL DATA
See table "Z", for other details see data sheet RE 18318-23

[mm (inches)]

VEI-8A Solenoid cartridge valve (code OD.15.K.18...)



[mm (inches)]

W	MANUAL OVERRIDE OPTIONS	
	K = 51	K = 52
1A	/	No override
1B	/	Push style
1C	/	Push and twist style
3A	No override	/
3D	Knob style	/

VEI-8A TECHNICAL DATA
Internal leakage: max. 1 cm ³ /min (0.06 inch ³ /min)
Filtration: 25 μm nominal or better
Minimum voltage required: 90% of nominal value
Coil: S8-356 (must be ordered separately) (see data sheet RE 18325-90)
For other details see cartridge data sheet

Performance graphs

