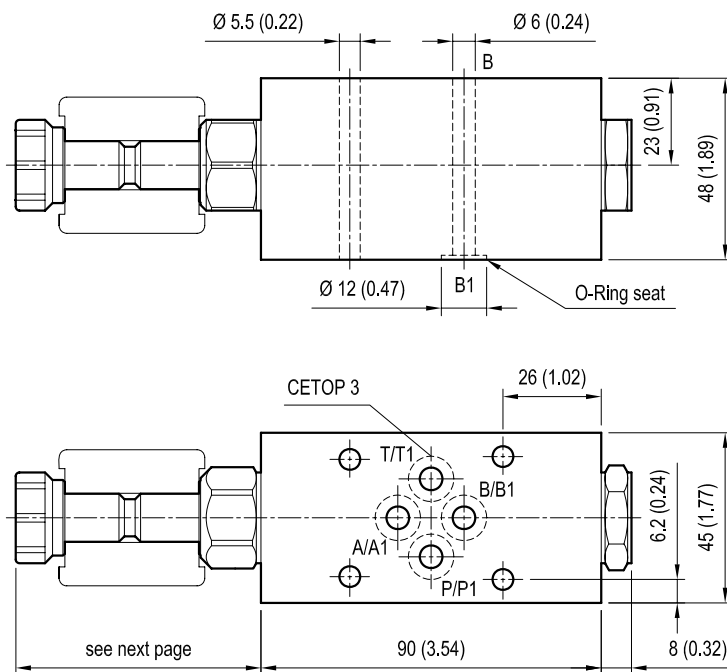


## Sandwich valves, module with solenoid valve

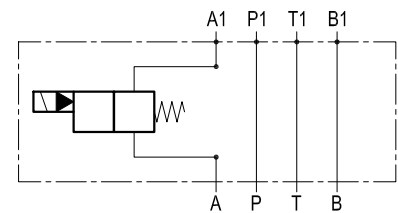
EM-VEI8A/8I-CETOP3-A

OP . 14 - K - 18 - 29 - Y

### Dimensions



[ mm (inches) ]



### Cartridge schemes

monodirectional type	bidirectional type

### Technical data

Max flow: up to 40 l/min (11 gpm)

Max operating pressure: 210 bar (3000 psi)

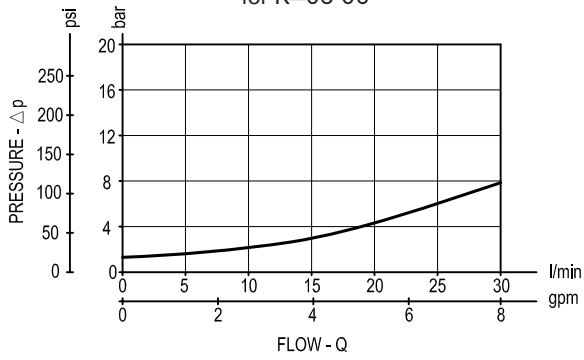
Standard manifolds in high strength **aluminium**.

For working pressure up to 350 bar (5000 psi) and for fatigue applications with any working pressure, steel manifolds are available upon request.

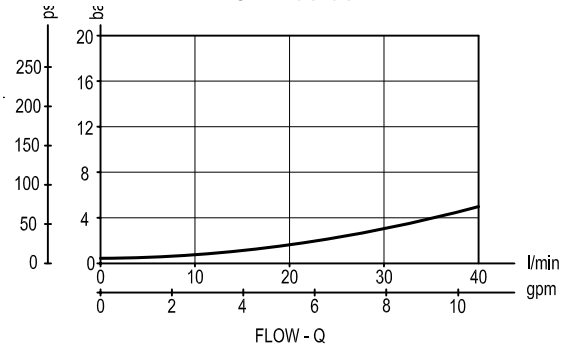


Performance graphs

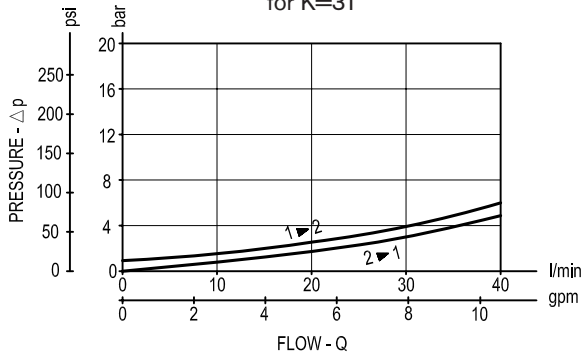
30 l/min (8 gpm)  
for K=05-06



40 l/min (11 gpm)  
for K=05-06



40 l/min (11 gpm)  
for K=31



40 l/min (11 gpm)  
for K=32

