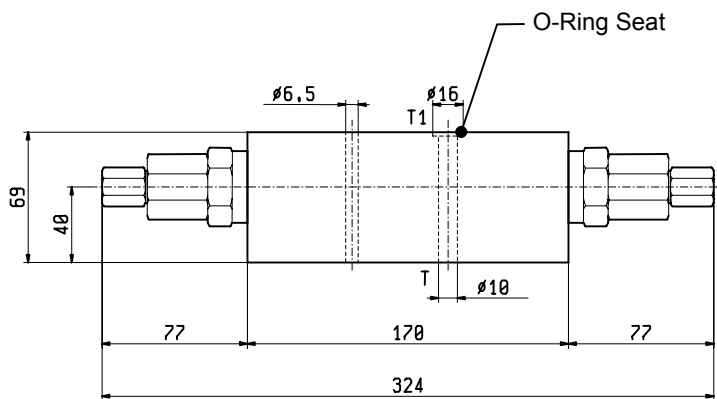
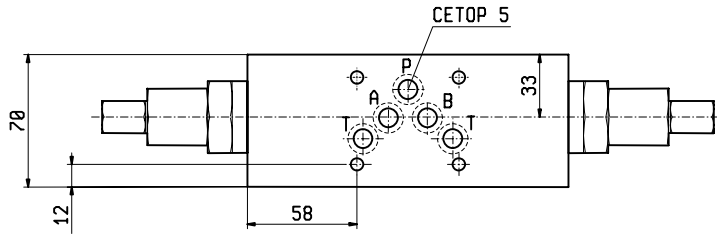


**SANDWICH VALVES
DUAL OVERCENTRE MODULES**

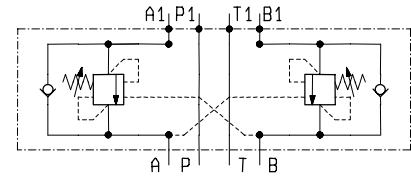


EM-VBSODE-CETOP 5

OP.22.02.03.43 - Z



These modules contain two single overcentre valve type VBSO-SEC-150 (see Oil Control catalogue).



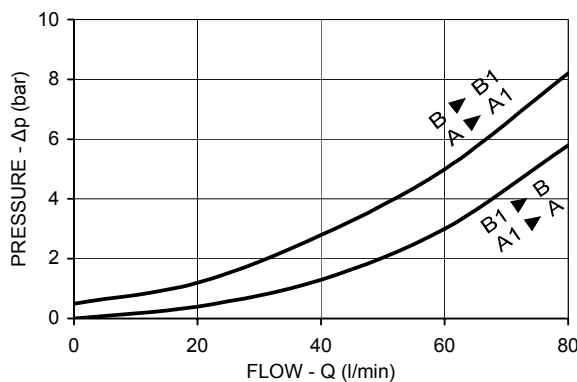
TECHNICAL DATA

Maximum Operating Pressure	250	bar
Rated Flow	80	l/min
Weight	3.100	kg
Fluids - Temperatures	page 7.01.040	
Testing Conditions - Seals	page 7.01.040	
Internal Leakage	page 7.01.040	
Filtration : 25 µm nominal or better	page 7.01.050	

Manifolds in high-strength aluminium for working pressures up to 250 bar.

Special steel manifolds can be supplied upon request for working pressures up to 350 bar and for fatigue cycle applications.

IMPORTANT: All products shown in this page are not available from stock and not included in our standard price list. Please contact our Sales Department for any information.



Z	SPRINGS				
	Adj. press. range bar	Press. increase bar/turn	Standard setting bar (Q=5 l/min)	Ordering code	Colour
20	60-210	56	200	03.51.01.152	green
35	100-350	104	350	03.51.01.142	yellow