

Solenoid operated valves

2-way 2-positions

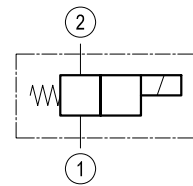
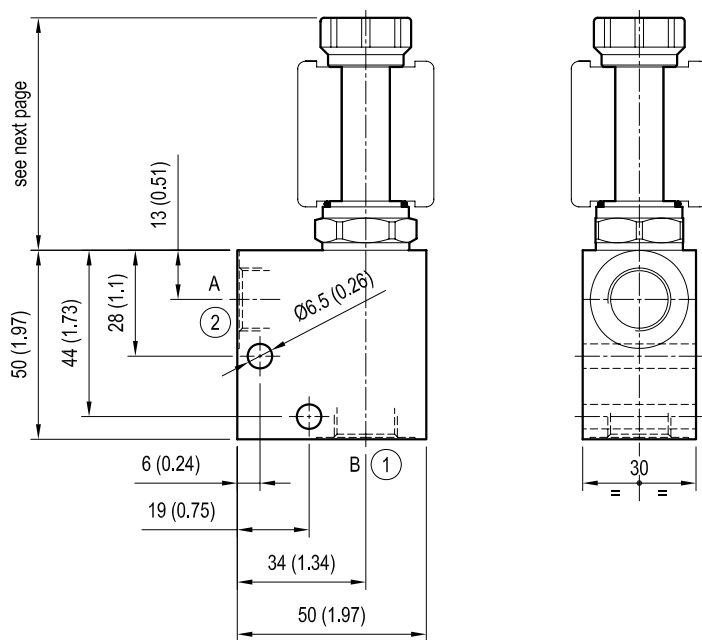
Common cavity size 08

Cartridge style in manifold

VED-CS-7A/8I-06

OS.11 - K - 18 - Y - Z - W

Dimensions



Cartridge schemes

monodirectional type	bidirectional type

[mm (inches)]

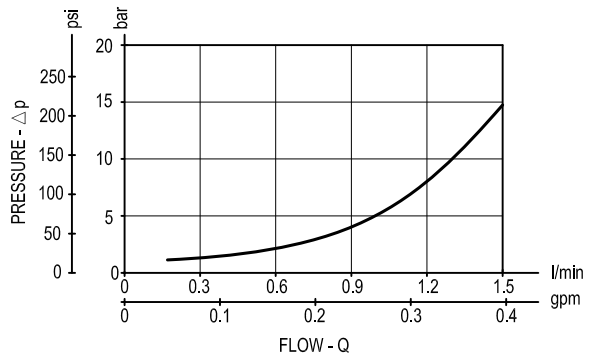
Technical data

Max flow:	up to 1,5 l/min	(0,4 gpm)
Max operating pressure for steel body:	350 bar	(5000 psi)
Max operating pressure for aluminium body:	210 bar	(3000 psi)

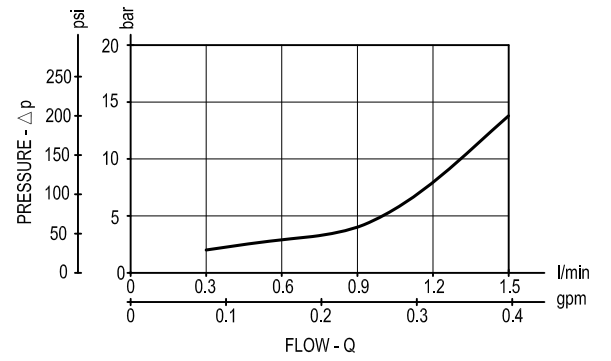
To order only manifold see data sheet RE 18325-85

Performance graphs

K = 01



K = 02



Ordering code

OS.11	K	18	Y	Z	W
-------	---	----	---	---	---

Manifold with solenoid operated valve, 2-way 2-positions

Cartridge scheme (see page 1 and 2)

- = 01 Bidirectional
- = 02

Common cavity Size 08

Manifold material

- = 00 Aluminium
- = S0 Steel

Port sizes (see table on page 2)

- = 09 G 1/4
- = 02 G 3/8

See table on page 2

Preferred types (readily available)

Type	Material number
OS110118310200	R934002748
OS110218200900	R934002750

Type	Material number

Further types available by request