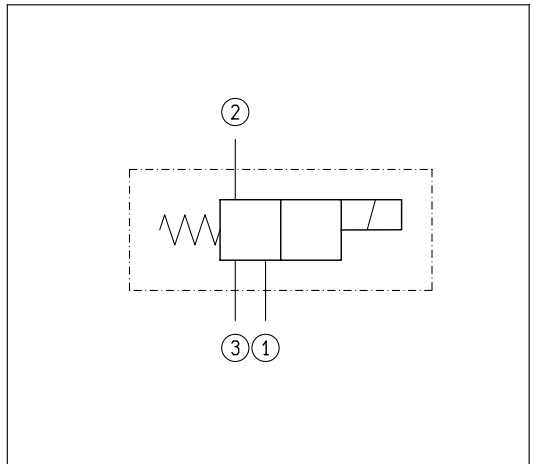
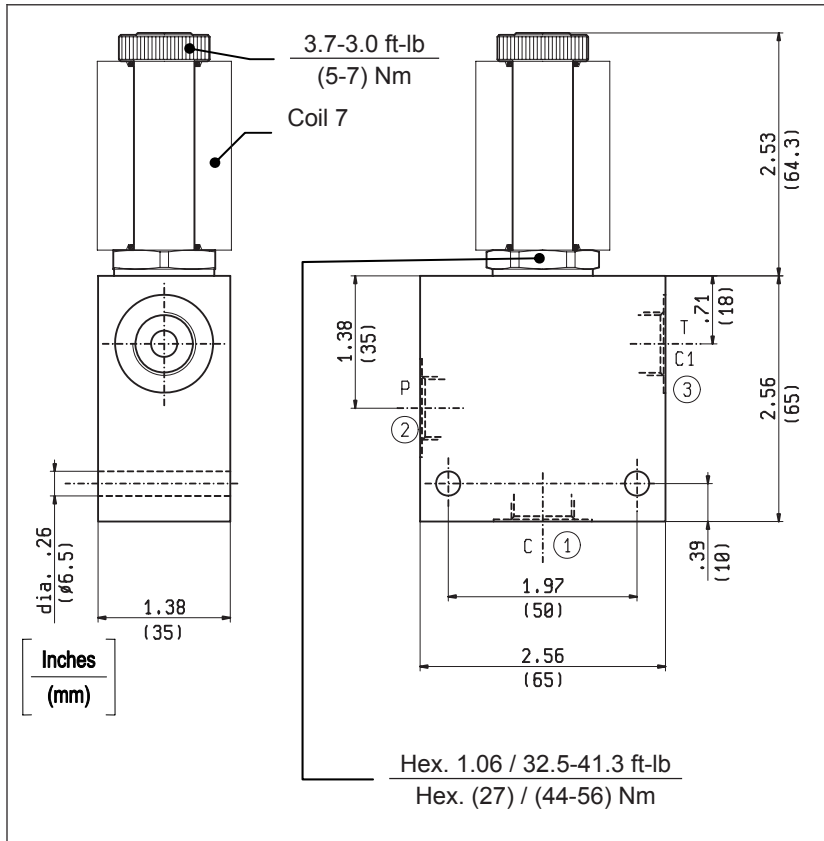


**SOLENOID OPERATED VALVES  
 3-WAY SERIES 71 IN STANDARD MANIFOLD  
 COMMON CAVITY**

**VED-CS-71-32-09**

**SIZE 10**

**OS.13 - K - 77 - Y - Z**



**TECHNICAL DATA**

Maximum Operating Pressure 3000 psi (210 bar)

See cartridge data sheets for curves, features and functional details.

Standard manifolds in high strength aluminum. To order manifold only see page MN2.A..

**IMPORTANT:** Ordering code of cartridge in standard manifold models is the same of cartridge only models except for first couple of digits (**OS** instead of **OD**) and sixth couple of digits (**Z** - PORT SIZE instead of **00**).

EXAMPLE:

**OD.13.10.77.70.00 OS.13.10.77.70 - Z**

<b>K</b>	Same as cartridge code
<b>Y</b>	Same as cartridge code

<b>CARTRIDGES TO BE INSERTED (OD.13 - K - 77 - Y - 00)</b>	
VED	
OD.13. <b>10</b> .77. - Y - 00	
OD.13. <b>20</b> .77. - Y - 00	
OD.13. <b>30</b> .77. - Y - 00	

<b>Z</b>	<b>PORT SIZE</b>	
	<b>02</b>	G 3/8
<b>09</b>	G 1/4	